

PORSCHÉ

PET

PORSCHÉ

Model	Year	MG	SG	Illustration	Restrictions	Update	11:02	23.08.2006
914	76	0	01	1-05		203		

Pos	Part Number	Name	Remarks	Qty	Model
-	901 006 508 00	stickers sticker for generator and regulator		1	SPM
-	901 006 509 00	sticker for ignition point adjustment		1	SPM
-	901 006 509 02	sticker for ignition point adjustment) 69	1	SPM:(J) (USA)
-	901 006 509 03	sticker for ignition point adjustment) 70	1	SPM:(J) (USA)
-	901 006 509 06	sticker for catalytic converter adjustment		1	SPM
-	901 006 509 09	sticker for ignition point adjustment	71	1	SPM
-	901 006 507 00	sticker tyre pressure for V > 200 KM/H		1	SPM
-	901 006 504 01	sticker for engine-oil level		1	SPM
-	901 006 505 00	sticker tyre pressure		1	914-4/1,7 914-1,8V/2,0
-	022 100 175	sticker for valve clearance adjustment sticker for valve clearance adjustment see group 1/11/00		1	914-1,7/1,8V
-	901 006 503 00	sticker for valve clearance adjustment		1	SPM

PORSCHE

PET

PORSCHE

Model	Year	MG	SG	Illustration	Restrictions	Update		
914	76	0	01	1-05		203	11:02	23.08.2006

Pos	Part Number	Name	Remarks	Qty	Model
-	901 006 502 00	sticker for firing order		1	SPM
-	911 108 611 01	sticker for filter number plate		1	914-6
-	911 108 611 01	sticker for filter number plate		1	914-6
-	411 000 263 A	sticker octane number 98 ROZ		1	
-	113 000 263 B	sticker indicator lights 91 ROZ		1	
-	PCG 701 105 00	badge for lacquers		1	
- - - E N D - - -					

Model	Year	MG	SG	Illustration	Restrictions	Update	11:02	23.08.2006
914	76	0	02	2-00		203		

Pos	Part Number	Name	Remarks	Qty	Model
-	914 361 902 00	snow chains ski rack snow chains set for tyre 155 SR 15 155 SR 15 M + S 155 SR 15 M + S - E		X	
-	911 361 909 00	snow chains set for tyre 165 HR 15 165 SR 15 165 SR 15 M + S 165 SR 15 M + S - E		X	
-	914 801 901 10	ski rack complete front and rear set for subsequent installat. - - - E N D - - -		1	

PORSCHE

PET

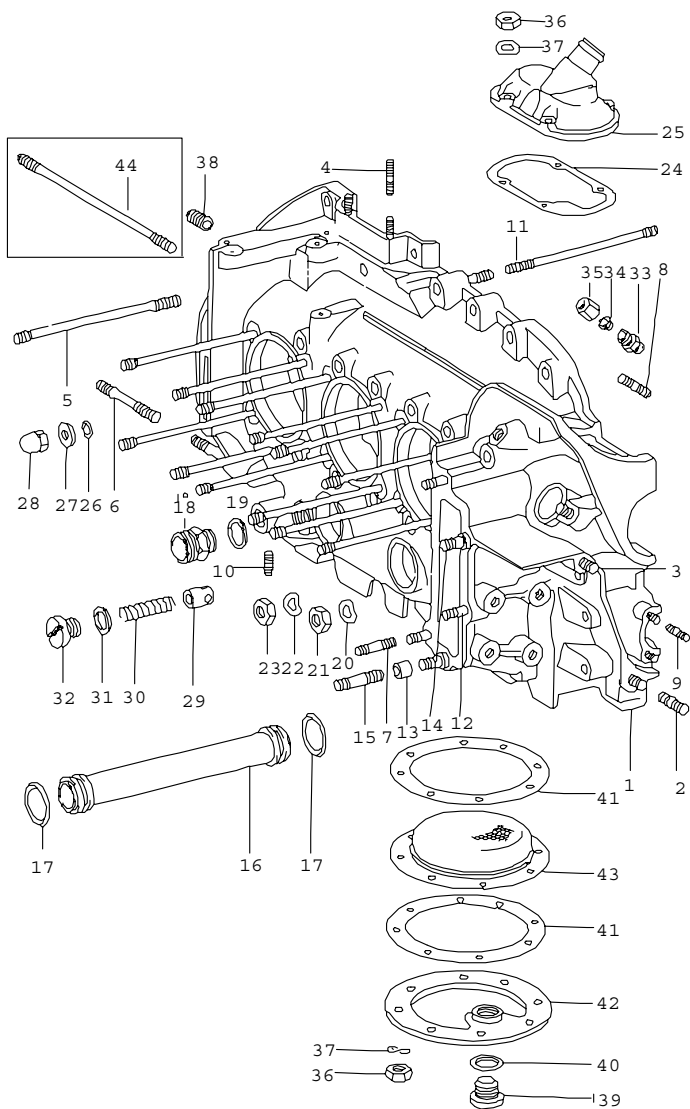
PORSCHE

Model	Year	MG	SG	Illustration	Restrictions	Update		
914	76	1	01	101-00		203	11:03	23.08.2006

Pos	Part Number	Name	Remarks	Qty	Model
		replacement engine			914-6
		replacement engine complete ready for installation with regulator switch			
-	901 100 360 00	engine		1	901/36
-	901 100 370 00	engine		1	901/37:SPM
		- - - E N D - - -			

Model	Year	MG	SG	Illustration	Restrictions	Update	11:03	23.08.2006	PORSCHE	PET	PORSCHE
914	76	1	01	101-05		203					

Pos	Part Number	Name	Remarks	Qty	Model
					914-6
1	901 101 912 00	crankcase left		1	
2	999 062 090 02	stud M 10 X 40		2	
3	999 062 039 02	stud M 10 X 50		1	
4	999 062 085 02	stud BM 6 X 20		4	
5	901 101 172 03	stud		24	
6	999 061 034 02	stud		2	
7	999 062 007 02	stud BM 8 X 22		4	
8	900 061 004 02	stud BM 8 X 12 for support distributor		1	
9	999 062 002 02	stud BM 6 X 15		3	
10	999 062 055 02	stud BM 6 X 12		5	
11	901 101 174 00	stud		2	
12	999 062 006 02	stud BM 8 X 20		2	
13	901 101 145 00	dowel sleeve		4	
14	999 062 008 02	stud		2	
15	999 062 009 02	stud BM 8 X 28		2	
16	901 107 351 01	oil tube		4	
17	999 707 112 40	round seal R 25 - 6		8	
18	900 136 013 02	union A 16		1	
19	900 123 011 30	sealing ring A 22 X 27		1	



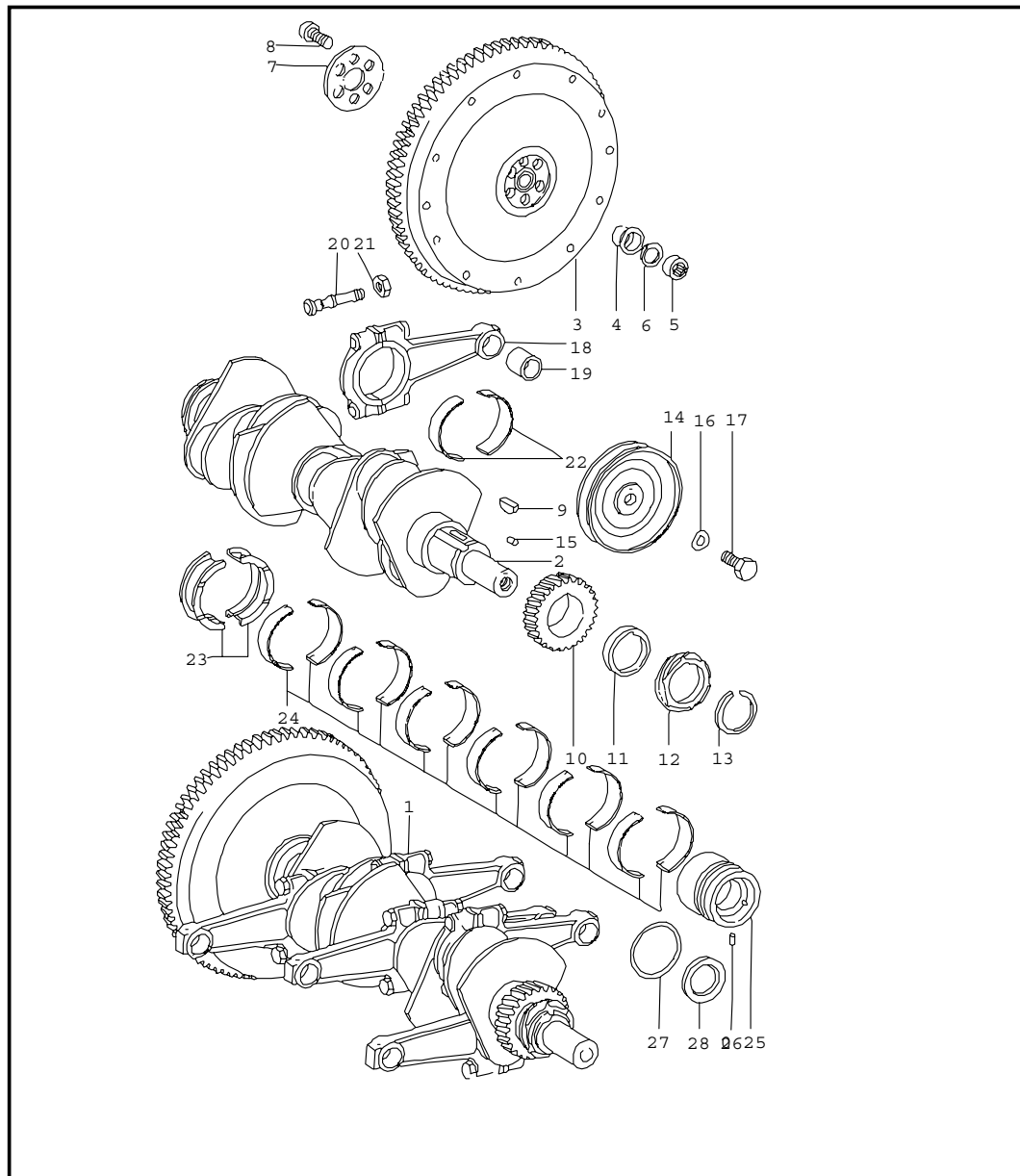
Model	Year	MG	SG	Illustration	Restrictions	Update	11:03	23.08.2006	PORSCHE	PET	PORSCHE
914	76	1	01	101-05		203					

Pos	Part Number	Name	Remarks	Qty	Model	Pos	Part Number	Name	Remarks	Qty	Model
20	900 031 014 30	washer 8,4		21		44	999 062 099 02	stud BM 10 X 105		2	SPM
21	900 084 004 02	hexagon nut M 8		21				- - - E N D - - -			
22	N 012 242 3	spring washer B 10 X 18		1							
23	900 157 002 02	hexagon nut M 10		1							
24	930 107 791 00	gasket		1							
25	901 107 073 02	cover		1							
26	999 701 006 40	o-ring		12							
27	901 101 161 01	washer		12							
28	999 070 004 02	cap nut		13							
29	901 107 512 01	piston		1							
30	901 107 531 00	compression spring		1							
31	900 123 071 30	sealing ring A 18 X 24		1							
32	999 064 010 02	screw plug		1							
33	901 107 375 00	screw socket		1							
-	900 123 005 30	sealing ring A 12 X 16		1							
34	N 020 825 1	cutting ring LL 8		1							
35	900 104 003 02	union nut ALL 8		1							
36	900 076 010 02	hexagon nut M 6		6							
37	900 028 008 01	spring washer B 8		6							
39	911 107 176 01	magnetic screw		1							
40	900 123 011 30	sealing ring A 22 X 27		1							
41	930 101 391 01	gasket		2							
42	930 101 902 00	cover		1							
43	901 101 380 01	oil strainer		1							

Model	Year	MG	SG	Illustration	Restrictions	Update	11:03	23.08.2006	PORSCHE	PET	PORSCHE
914	76	1	01	101-10		203					

Pos	Part Number	Name	Remarks	Qty	Model	Pos	Part Number	Name	Remarks	Qty	Model
(17)	901 102 911 00	radial sealing ring 64,5 X 85 X 10 undersize		1		35	900 104 003 02	union nut ALL 8		1	
18	900 095 025 01	roll pin 8 X 16 for fan housing		1		36	900 076 010 02	hexagon nut M 6		2	
19	901 101 195 00	dowel sleeve		2		37	900 028 008 01	spring washer B 6		2	
20	900 031 014 30	washer 8,4		1		37/1	901 101 035 01	oil strainer	/L	1	
-	999 151 022 02	washer 20 X 8,4 X 2 between housing and ground strap		1		38	901 101 036 01	oil strainer	/R	1	
21	900 084 004 02	hexagon nut M 8		1		39	900 031 011 30	washer M 6		3	
22	900 124 002 02	screw plug AM 14 X 1,5		1	SPM	40	999 701 053 50	sealing ring 39,2 X 3		1	
23	900 123 007 30	sealing ring 14 X 18		1		41	901 107 751 00	oil thermostat	-70	1	
24	999 704 172 50	sealing ring		1		(41)	930 107 765 00	oil thermostat	71-	1	
25	901 101 173 00	screw		11		42	901 105 141 02	cover		1	
26	999 701 006 40	o-ring		12		43	930 105 198 01	gasket		1	
27	901 101 161 01	washer		12		44	911 606 230 00	oil pressure switch		1	
28	901 641 632 00	remote temperature sensor		1		45	999 659 009 40	protective cap		1	
29	901 107 512 01	piston		1		46	900 084 010 02	hexagon nut M 6		3	
30	901 107 531 00	compression spring		1		47	901 101 175 01	adapter		1	
31	900 123 071 30	sealing ring A 18 X 24		1		48	900 123 044 30	sealing ring A 18 X 22		1	
32	999 064 010 02	screw plug		1				- - - E N D - - -			
33	901 107 375 00	screw socket		1							
-	900 123 005 30	sealing ring A 12 X 16		1							
34	N 020 825 1	cutting ring LL 8		1							

Model	Year	MG	SG	Illustration	Restrictions	Update	11:03	23.08.2006	PORSCHE	PET	PORSCHE
914	76	1	02	102-00		203					



Pos	Part Number	Name	Remarks	Qty	Model
		crankshaft			914-6
1	---	crankshaft with connecting rod		1	
2	901 102 011 00	crankshaft		1	
3	901 102 026 01	flywheel complete		1	
-	999 012 014 00	straight pin		3	
4-6	901 102 025 01	bush complete		1	
7	901 102 162 04	washer for mount flywheel		1	
8	911 102 171 00	pan-head screw for mount flywheel		6	901/36/38
(8)	999 067 009 01	pan-head screw		6	901/37/39
9	901 102 147 00	woodruff key		1	
10	901 102 111 00	timing gear for number 0		1	
(10)	901 102 111 10	timing gear for number 1		1	
11	901 102 145 00	intermediate ring		1	
12	901 102 115 00	drive wheel		1	
13	901 102 148 00	circlip		1	
14	911 102 017 50	v-belt pulley		1	
15	900 012 060 00	straight pin 5 M 6 X 10		1	
16	900 028 014 01	spring washer B 12		1	
17	999 093 005 02	hexagon-head bolt M 12 X 1,5 X 22		1	
(18)	901 103 011 26	connecting rod weight group: 6 = 596 - 605 GR.		6	

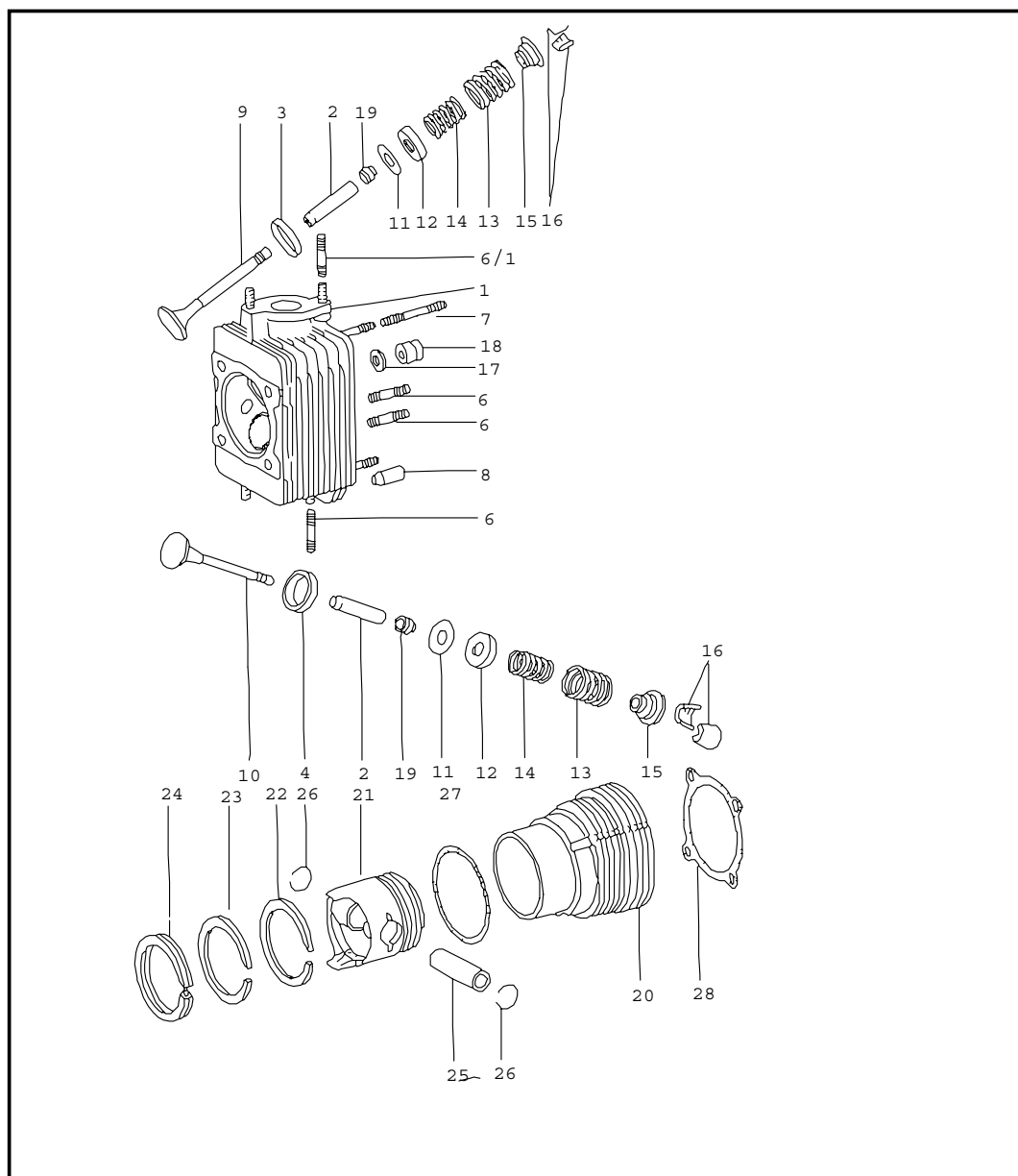
Model	Year	MG	SG	Illustration	Restrictions	Update	11:03	23.08.2006	PORSCHE	PET	PORSCHE
914	76	1	02	102-00		203					

Pos	Part Number	Name	Remarks	Qty	Model	Pos	Part Number	Name	Remarks	Qty	Model
(18)	901 103 011 27	connecting rod weight group: 7 = 605 - 614 GR.		6		(23)	901 101 131 50	bearing shell I		2	
(18)	901 103 011 29	connecting rod weight group: 9 = 623 - 632 GR.		6		(24)	901 101 132 50	bearing shell II - VII		12	
(18)	901 103 011 31	connecting rod weight group: 11 = 641 - 650 GR.		6		(25)	901 101 138 53	bearing sleeve for bearing VIII		1	
(18)	901 103 011 32	connecting rod weight group: 12 = 650 - 659 GR.		6		>>>	911 101 901 55	set of crankshaft bearings undersize 0,50 mm inner comprising:		1	
19	901 103 131 01	connecting rod bush		6		(23)	901 101 131 55	bearing shell I		2	
20	901 103 172 00	connecting rod bolt		12		(24)	901 101 132 55	bearing shell II - VII		12	
21	901 103 173 00	connecting rod nut		12		(25)	901 101 138 58	bearing sleeve for bearing VIII		1	
22	901 103 141 00	connecting-rod bearing		12		>>>	911 101 901 65	set of crankshaft bearings undersize 0,75 MM inner comprising:		1	
(22)	901 103 141 50	connecting-rod bearing undersize 0,25 mm		X		(23)	901 101 131 65	bearing shell I		2	
(22)	901 103 141 60	connecting-rod bearing undersize 0,50 mm		X		(24)	901 101 132 65	bearing shell II - VII		12	
(22)	901 103 141 70	connecting-rod bearing undersize 0,75 MM		X		(25)	901 101 138 68	bearing sleeve for bearing VIII		1	
(22)	901 103 141 80	connecting-rod bearing undersize 1,00 MM		X		>>>	911 101 901 69	set of crankshaft bearings undersize 1,00 MM inner comprising:		1	
>>>	911 101 901 00	set of crankshaft bearings comprising:		1		(23)	901 101 131 69	bearing shell I		2	
23	901 101 131 00	bearing shell I		2		(24)	901 101 132 69	bearing shell II - VII		12	
24	901 101 132 00	bearing shell II - VII		12							
25	901 101 138 03	bearing sleeve for bearing VIII		1							
>>>	911 101 901 50	set of crankshaft bearings undersize 0,25 mm inner comprising:		1							

Model	Year	MG	SG	Illustration	Restrictions	Update	11:03	23.08.2006	PORSCHE	PET	PORSCHE
914	76	1	02	102-00		203					

Pos	Part Number	Name	Remarks	Qty	Model	Pos	Part Number	Name	Remarks	Qty	Model
(25)	901 101 138 69	bearing sleeve for bearing VIII		1		>>>	911 101 901 85	set of crankshaft bearings oversize 0,25 mm outer undersize 0,75 MM inner comprising:		1	
>>>	911 101 901 60	set of crankshaft bearings oversize 0,25 mm outer comprising:		1		(23)	901 101 131 85	bearing shell I		2	
(23)	901 101 131 60	bearing shell I		2		(24)	901 101 132 85	bearing shell II - VII		12	
(24)	901 101 132 60	bearing shell II - VII		12		(25)	901 101 138 88	bearing sleeve for bearing VIII		1	
(25)	901 101 138 63	bearing sleeve for bearing VIII		1		>>>	911 101 901 89	set of crankshaft bearings oversize 0,25 mm outer undersize 1,00 MM inner comprising:		1	
>>>	911 101 901 70	set of crankshaft bearings oversize 0,25 mm outer undersize 0,25 mm inner comprising:		1		(23)	901 101 131 89	bearing shell I		2	
(23)	901 101 131 70	bearing shell I		2		(24)	901 101 132 89	bearing shell II - VII		12	
(24)	901 101 132 70	bearing shell II - VII		12		(25)	901 101 138 89	bearing sleeve for bearing VIII		1	
(25)	901 101 138 73	bearing sleeve for bearing VIII		1		26	900 012 061 00	straight pin 5H 8 X 10 DIN 7		1	
>>>	911 101 901 75	set of crankshaft bearings oversize 0,25 mm outer undersize 0,50 mm inner comprising:		1		27	900 174 041 40	sealing ring R 50 X 4 PAB/769		1	
(23)	901 101 131 75	bearing shell I		2		28	999 113 049 52	radial sealing ring 30 X 50 X 10		1	
(24)	901 101 132 75	bearing shell II - VII		12		(28)	999 113 291 40	sealing ring 29,5 X 50 X 10		1	
(25)	901 101 138 78	bearing sleeve for bearing VIII		1				- - - E N D - - -			

Model	Year	MG	SG	Illustration	Restrictions	Update	11:03	23.08.2006	PORSCHE	PET	PORSCHE
914	76	1	03	103-00		203					

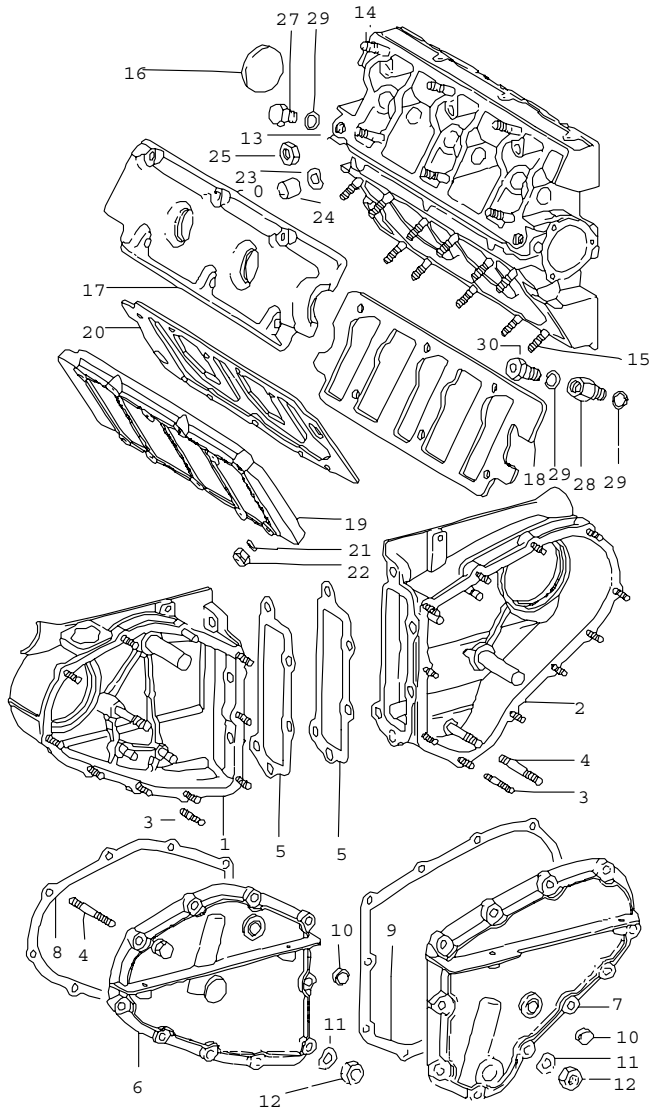


Pos	Part Number	Name	Remarks	Qty	Model
		cylinder head cylinder with pistons			914-6
1	901 104 036 02	cylinder head complete		6	
(1)	901 104 006 04	cylinder head with valves ready for installation		6	
2	930 104 321 50	valve guide 1st oversize		X	
(2)	901 104 321 61	valve guide 2nd oversize		X	
3	901 104 313 50	valve seat ring for intake oversize		X	
4	901 104 317 53	valve seat ring for exhaust 2nd oversize unleaded		X	
6	900 061 006 01	stud BM 8 X 20		24	
6/1	999 062 008 02	stud BM 8 X 25		12	
7	900 061 012 02	stud BM 8 X 50		24	
8	999 012 006 00	straight pin		12	
9	901 105 407 00	intake valve		6	
10	901 105 408 50	exhaust valve unleaded		6	
11	930 105 461 00	washer		X	
12	901 105 463 00	ring		12	
3+14	901 105 901 50	set of valve springs outer and inner		12	
15	901 105 421 03	concave washer		12	
16	901 105 417 00	collet		24	
17	999 031 083 01	washer		24	

Model	Year	MG	SG	Illustration	Restrictions	Update	11:03	23.08.2006	PORSCHE	PET	PORSCHE
914	76	1	03	103-00		203					

Pos	Part Number	Name	Remarks	Qty	Model	Pos	Part Number	Name	Remarks	Qty	Model
18	901 104 382 02	cylinder head nut		24		1-26	901 103 038 51	piston complete \$ 80,5 1st oversize - SCHMIDT -		X	
19	911 104 193 03	valve stem seal valve		12							
0-26	901 103 903 01	cylinder with pistons complete group 5 - mahle -		6		1-26	901 103 038 61	piston complete \$ 81 2nd oversize - SCHMIDT -		X	
0-26	901 103 903 02	cylinder with pistons complete group 6 - mahle -		6		2-24	901 103 901 52	set of piston rings \$ 80,5 - mahle -		6	
0-26	901 103 903 05	cylinder with pistons complete group 5 - SCHMIDT -		6		2-24	901 103 901 62	set of piston rings \$ 81 - mahle -		6	
0-26	901 103 903 06	cylinder with pistons complete group 6 - SCHMIDT -		6		2-24	901 103 901 53	set of piston rings \$ 80,5 - SCHMIDT -		6	
1-26	-	piston complete \$ 80 ; single parts not available		X		2-24	901 103 901 63	set of piston rings \$ 81 - SCHMIDT -		6	
								- - - E N D - - -			
2-24	901 103 901 02	set of piston rings - mahle -		6							
2-24	901 103 901 03	set of piston rings - SCHMIDT -		6							
25	901 103 323 00	piston pin		6							
26	900 178 002 00	snap ring C 22		6							
27	901 104 191 00	gasket		6							
28	901 104 391 01	cylinder head gasket cylinder head		6							
1-26	901 103 038 50	piston complete \$ 80,5 1st oversize - mahle -		X							
1-26	901 103 038 60	piston complete \$ 81 2nd oversize - mahle -		X							

Model	Year	MG	SG	Illustration	Restrictions	Update	11:04	23.08.2006	PORSCHE	PET	PORSCHE
914	76	1	03	103-05		203					

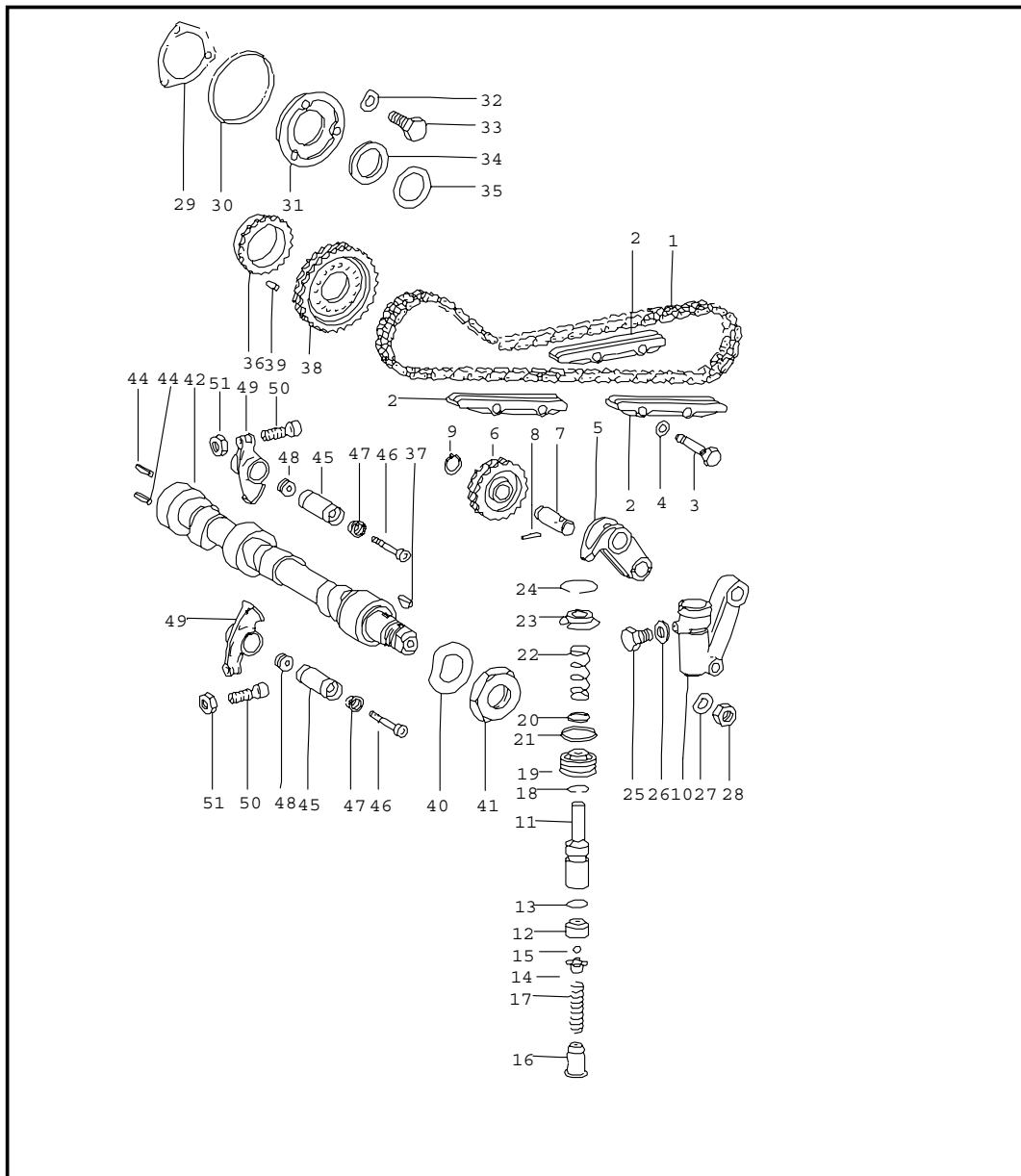


Pos	Part Number	Name	Remarks	Qty	Model
		chain case camshaft housing			914-6
1	930 105 061 02	chain case complete	/L	1	
2	930 105 062 01	chain case complete	/R	1	
3	999 062 102 02	stud BM 6 X 22		21	
4	900 061 012 02	stud BM 8 X 50		2	
5	930 105 193 00	gasket crankcase and chain case		2	
6	930 105 063 01	cover for chain case complete left		1	
7	930 105 064 00	cover for chain case complete right		1	
8	930 105 191 03	gasket for cover chain case left		1	
9	930 105 192 01	gasket for cover chain case right		1	
10	900 036 008 02	cover		2	
11	900 031 011 30	washer 6,4		21	
12	900 084 010 02	hexagon nut M 6		21	
13	901 105 021 05	camshaft housing complete		2	
14	999 062 009 02	stud BM 8 X 28		12	

Model	Year	MG	SG	Illustration	Restrictions	Update	11:04	23.08.2006	PORSCHE	PET	PORSCHE
914	76	1	03	103-05		203					

Pos	Part Number	Name	Remarks	Qty	Model	Pos	Part Number	Name	Remarks	Qty	Model
15	999 062 010 02	stud BM 8 X 35		22		(25)	900 076 025 02	hexagon nut M 8 for chain case		4	
-	901 105 379 00	plug		4							
16	901 105 161 01	cover		2		27	901 105 374 00	screw plug		2	
17	901 105 115 03	cover for camshaft housing upper		2		28	901 105 361 01	intermediate piece		2	
18	930 105 194 00	gasket for cover camshaft housing upper		2		29	900 123 005 00	sealing ring A 12 X 16		6	
19	930 105 116 00	cover for camshaft housing lower		2		30	900 134 006 02	banjo bolt A 6		2	
20	930 105 195 00	gasket for cover camshaft housing lower		2				- - - E N D - - -			
21	900 031 014 30	washer 8,4		34							
(21)	900 031 014 30	washer 8,4 for chain case		5							
22	900 084 004 02	hexagon nut M 8		34							
(22)	900 084 004 02	hexagon nut M 8 for chain case		6							
23	N 012 241 1	spring washer BM 8 X 15		36							
(23)	N 012 241 1	spring washer BM 8 X 15 for chain case		4							
24	901 111 271 00	nut		6							
25	900 076 025 02	hexagon nut M 8		30							

Model	Year	MG	SG	Illustration	Restrictions	Update	11:04	23.08.2006	PORSCHE	PET	PORSCHE
914	76	1	03	103-10		203					

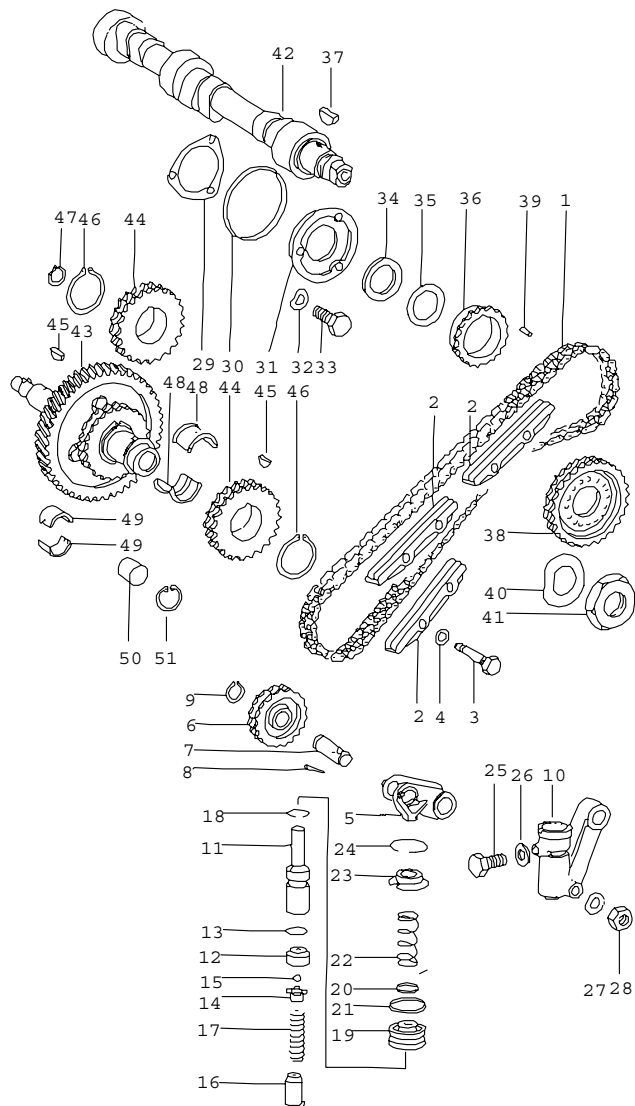


Pos	Part Number	Name	Remarks	Qty	Model
		valve control left			914-6
1	901 105 529 00	timing chain		1	
2	911 105 222 05	guide piece		3	
3	901 105 226 03	bolt for guide piece		4	
4	* 900 123 066 30	sealing ring A 10 X 16		4	
5	901 105 505 02	chain wheel support	/L	1	
6	901 105 055 00	sprocket complete		1	
7	901 105 056 01	bolt complete		1	
8	900 197 010 00	tensioning sleeve 3 X 22		1	
10	901 105 050 01	housing housing complete		1	
10-26	* 930 105 049 00	chain adjuster complete		1	
-	911 105 901 00	repair kit comprising: picture 12-15,18,20,21,24,26		1	
11	930 105 559 00	piston for chain adjuster		1	
12	* --- --- --- ---	intermediate piece		1	
13	* --- --- --- ---	o-ring R 10 - 1,3		1	
14	* --- --- --- ---	housing for ball valve		1	
15	* --- --- --- ---	ball 5 MM V		1	
16	930 105 523 00	spring guide		1	

Model	Year	MG	SG	Illustration	Restrictions	Update	11:04	23.08.2006	PORSCHE	PET	PORSCHE
914	76	1	03	103-10		203					

Pos	Part Number	Name	Remarks	Qty	Model	Pos	Part Number	Name	Remarks	Qty	Model
17	916 105 534 00	compression spring for chain adjuster		1		39	900 243 001 00	straight pin A 6 H 8 X 14		1	
18	* --- --- --- ---	snap ring 16		1		40	900 028 021 02	spring washer B 30		1	
19	901 105 557 01	piston		1		41	901 105 172 00	nut for camshaft		1	
20	* --- --- --- ---	o-ring 8,3 - 2,4		1		42	901 105 133 01	camshaft	/L	1	
21	* --- --- --- ---	o-ring 20,3 - 2,4		1		44	900 095 017 01	tensioning sleeve 5 X 24		2	SPM
22	930 105 535 01	compression spring		1		45	901 105 342 04	rocker shaft		12	
23	930 105 568 00	concave washer		1		46	999 067 008 00	pan-head screw		12	
24	* --- --- --- ---	snap ring 28		1		47	901 105 344 02	bush		12	
25	930 105 573 00	bleeder screw		1		48	901 105 376 02	nut		12	
26	* --- --- --- ---	sealing ring A 6,5 X 9,5		1		49	930 105 043 00	rocker arm complete		12	
27	N 012 241 1	spring washer B 8 X 15		1		50	901 105 370 02	adjusting screw complete		12	
28	900 076 025 02	hexagon nut M 8		1		51	999 034 005 00	hexagon nut		12	
29	930 105 197 05	gasket		1				- - - E N D - - -			
30	* 999 701 124 40	o-ring 67,5 X 75,5 X 4		1							
31	930 105 196 00	cover		1							
32	900 028 008 01	spring washer B 6		3							
33	900 075 017 02	hexagon-head bolt M 6 X 25		3							
34	901 105 562 00	thrust washer		1							
35	901 105 561 00	shim		X							
36	901 105 583 01	flange sprocket		1							
37	900 118 005 00	woodruff key 4 X 5		1							
38	901 105 546 02	sprocket II		1							

Model	Year	MG	SG	Illustration	Restrictions	Update	11:04	23.08.2006	PORSCHE	PET	PORSCHE
914	76	1	03	103-15		203					

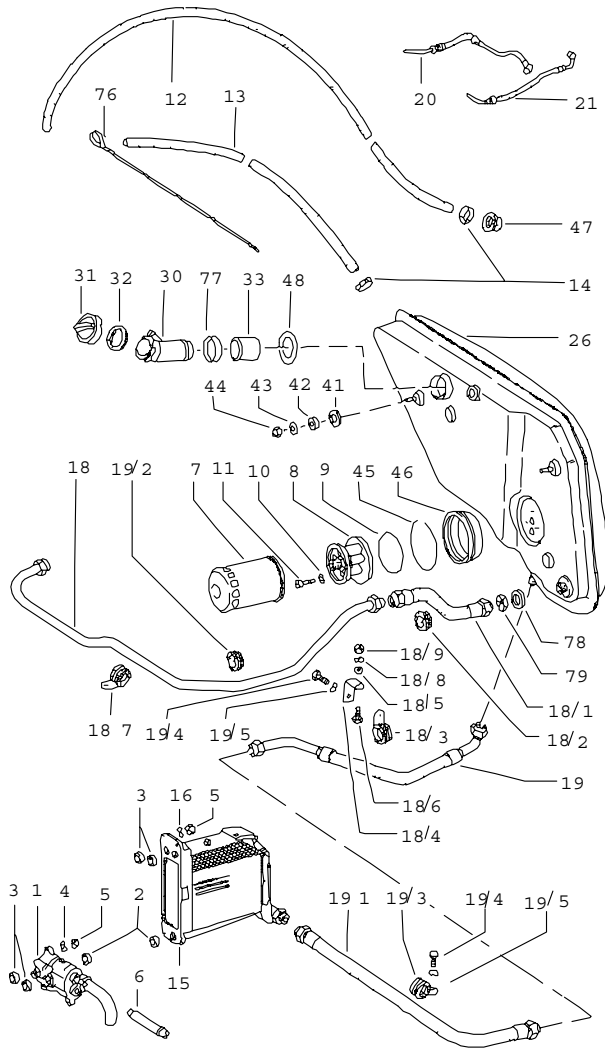


Pos	Part Number	Name	Remarks	Qty	Model
		valve control right			914-6
1	901 105 529 00	timing chain		1	
2	911 105 222 05	guide piece		3	
3	901 105 226 03	bolt for guide piece		4	
4	* 900 123 066 30	sealing ring A 10 X 16		4	
5	901 105 506 02	chain wheel support	/R	1	
6	901 105 055 00	sprocket complete		1	
7	901 105 056 01	bolt complete		1	
8	900 197 010 00	tensioning sleeve 3 X 22		1	
9	N 012 415 1	circlip 15 X 1		1	
10	901 105 050 01	housing housing complete		1	
0-26	* 930 105 049 00	chain adjuster complete		1	
-	911 105 901 00	repair kit comprising: picture 12-15,18,20,21,24,26		1	
11	930 105 559 00	piston for chain adjuster		1	
12	* --- --- --- --	intermediate piece		1	
13	* --- --- --- --	O-ring R 10 - 1,3		1	
14	* --- --- --- --	housing for ball valve		1	
15	* --- --- --- --	ball 5 MM V		1	
16	930 105 523 00	spring guide		1	

Model	Year	MG	SG	Illustration	Restrictions	Update	11:04	23.08.2006	PORSCHE	PET	PORSCHE
914	76	1	03	103-15		203					

Pos	Part Number	Name	Remarks	Qty	Model	Pos	Part Number	Name	Remarks	Qty	Model
17	916 105 534 00	compression spring for chain adjuster		1		39	900 243 001 00	straight pin A 6 H 8 X 14		1	
18	* --- --- --- ---	snap ring 16		1		40	900 028 021 02	spring washer B 30		1	
19	901 105 557 01	piston		1		41	901 105 172 00	nut for camshaft		1	
20	* --- --- --- ---	o-ring OR 8,3 - 2,4		1		42	901 105 134 00	camshaft	/R	1	
21	* --- --- --- ---	o-ring OR 20,3 - 2,4		1		43	930 105 013 01	intermediate shaft with timing gear number plate 0	WW	1	
22	930 105 535 01	compression spring		1							
23	930 105 568 00	concave washer		1							
24	* --- --- --- ---	snap ring 28		1		(43)	930 105 013 11	intermediate shaft with timing gear number plate 1	WW	1	
25	930 105 573 00	bleeder screw		1							
26	* --- --- --- ---	sealing ring A 6,5 X 9,5		1		44	--- --- --- ---	not available		X	
27	N 012 241 1	spring washer B 8 X 15		1		45	--- --- --- ---	not available		X	
28	900 076 025 02	hexagon nut M 8		1		46	900 041 025 01	circlip 36 X 1,75		2	
29	930 105 197 05	gasket		1		47	900 041 026 01	circlip 13 X 1		1	
30	* 999 701 124 40	o-ring 67,5 X 75,5 X 4		1		48	916 101 137 00	thrust bearing for intermediate shaft		2	
31	930 105 196 00	cover		1		49	901 101 135 00	bearing		2	
32	900 028 008 01	spring washer B 6		3		50	901 105 275 00	plug		1	
33	900 075 017 02	hexagon-head bolt M 6 X 25		3		51	N 012 296 1	circlip 16 X 1		1	
34	901 105 562 00	thrust washer		1					- - - E N D - - -		
35	901 105 561 00	shim		X							
36	901 105 583 01	flange sprocket		1							
37	900 118 005 00	woodruff key 4 X 5		1							
38	901 105 546 02	sprocket II		1							

Model	Year	MG	SG	Illustration	Restrictions	Update	11:04	23.08.2006	PORSCHE	PET	PORSCHE
914	76	1	04	104-00		203					

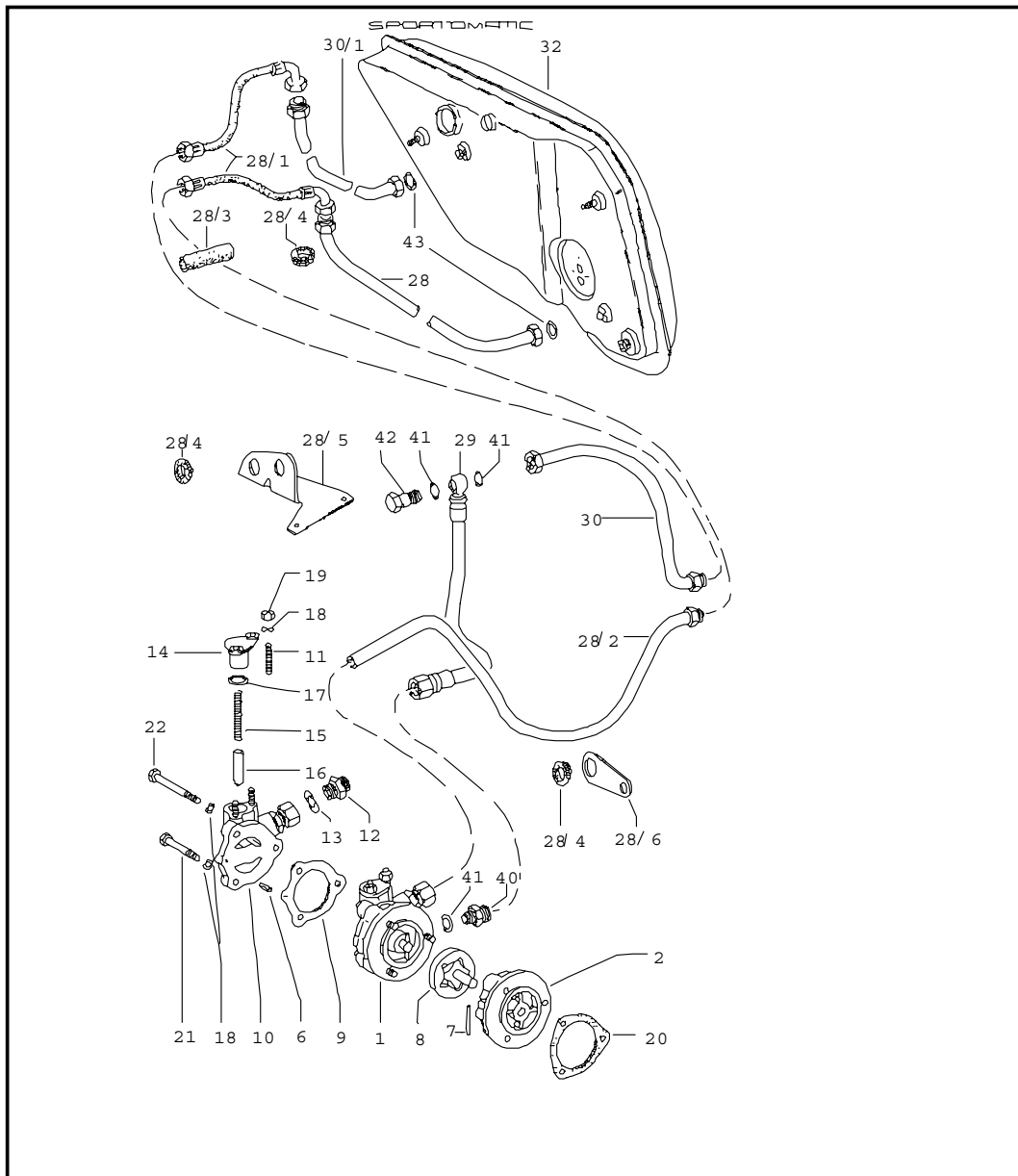


Pos	Part Number	Name	Remarks	Qty	Model
		engine lubrication			914-6
1	901 107 002 06	oil pump		1	
2	999 704 173 50	sealing ring		2	
3	999 704 172 50	sealing ring		4	
4	999 039 001 00	tab washer		3	
5	900 076 025 02	hexagon nut M 8		7	
6	901 107 121 00	connecting shaft		1	
7	901 107 203 09	oil filter		X	
8	901 107 025 00	bracket		1	
9	999 701 100 50	o-ring R 72 - 4		1	
10	900 028 003 01	spring washer A 6		3	
11	N 014 749 2	pan-head screw M 6 X 40		3	
12	901 107 394 01	connecting hose 800 MM crankcase oil tank		1	
13	901 107 394 02	connecting hose 500 MM oil tank air cleaner		1	
14	999 512 356 02	hose clamp (22-36) X 9		4	
15	901 107 059 01	oil cooler		1	
16	N 012 241 1	spring washer B 8 X 15		4	
18	901 107 820 02	oil pipe complete pressure line		1	
18/1	901 107 821 00	hose line pressure line		1	
18/2	999 702 132 50	rubber sleeve hose line		1	
18/3	999 511 076 02	clamp		1	

Model	Year	MG	SG	Illustration	Restrictions	Update	11:04	23.08.2006	PORSCHE	PET	PORSCHE
914	76	1	04	104-00		203					

Pos	Part Number	Name	Remarks	Qty	Model	Pos	Part Number	Name	Remarks	Qty	Model
18/4	901 107 084 00	support		1		33	901 107 691 10	rubber boot for filler neck		1	
18/5	N 011 524 7	washer 6,4		1		41	901 107 692 00	washer		2	
18/6	900 075 010 02	hexagon-head bolt M 6 X 12		1		42	901 107 693 01	washer		2	
18/7	999 511 076 02	clamp pressure line		1		43	900 151 008 02	washer A 8,4		2	
18/8	900 028 008 01	spring washer B 6		1		44	N 021 194 1	lock nut M 8		2	
18/9	900 076 010 02	hexagon nut M 6		1		45	901 107 281 00	snap ring		1	
19	901 107 710 04	hose line intake pipe		1		46	901 107 291 00	sealing ring for oil filter		1	
19/1	901 107 823 03	hose line intake pipe		1		47	901 107 695 40	sealing ring for breather adapter		1	
19/2	999 702 089 50	rubber sleeve for mount hose line		1		48	901 107 696 40	sealing ring for filler neck		1	
19/3	999 511 077 02	clamp for intake pipe		1		76	901 107 770 40	oil level dipstick complete		1	
19/4	900 075 087 02	hexagon-head bolt M 8 X 16		2		77	999 512 073 02	clip SP. 54 / 25		1	
19/5	N 012 241 1	spring washer B 8 X 15		2		78	901 107 679 10	sealing ring		1	
20	901 107 347 01	oil hose complete left crankcase camshaft		1		79	900 183 006 02	hexagon nut M 26 X 1,5		1	
21	901 107 348 00	oil hose complete right crankcase camshaft		1				- - - E N D - - -			
26	901 107 005 40	oil tank bodyshell		1							
30	901 107 640 40	filler neck		1							
31	901 201 271 00	fuel tank cap		1							
32	901 201 272 00	sealing ring		1							

Model	Year	MG	SG	Illustration	Restrictions	Update	11:05	23.08.2006	PORSCHE	PET	PORSCHE
914	76	1	04	104-05		203					

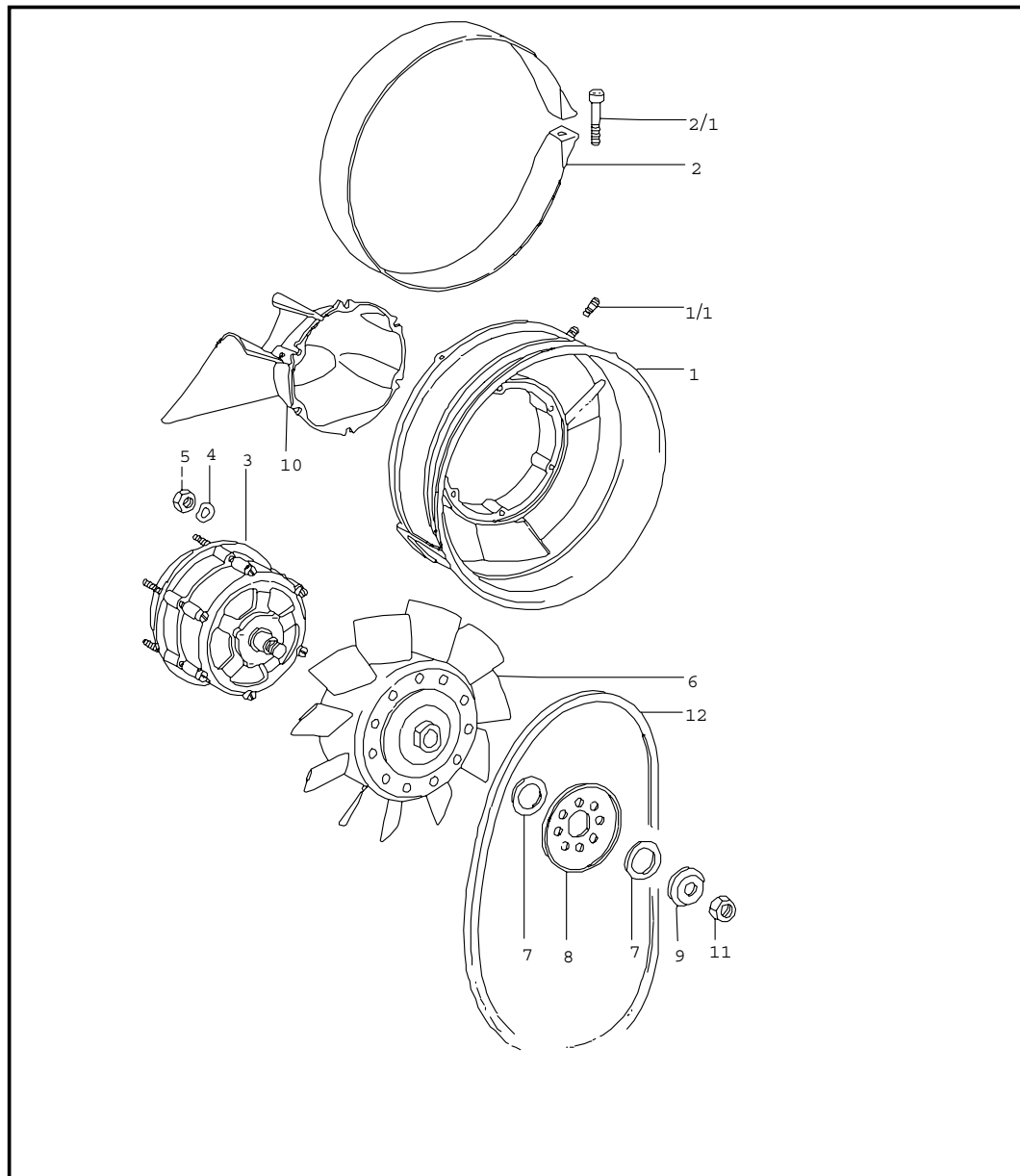


Pos	Part Number	Name	Remarks	Qty	Model
			-71		914-6:SPM
1	905 107 006 04	oil pump for converter		1	
2	905 107 101 03	oil pump for converter		1	
6	900 197 017 00	rotor housing		1	
6	900 197 017 00	tensioning sleeve 4 X 14		1	
7	900 302 001 00	straight pin 4 M 6 X 32		1	
8	905 107 901 01	rotor set		1	
9	905 107 191 02	gasket		1	
10	905 107 015 04	cover complete		1	
11	999 062 002 02	stud BM 6 X 15		2	
12	999 099 011 02	union AM 10 -11		1	
13	900 123 008 30	sealing ring A 14 X 20		1	
14	905 107 141 03	flat connector		1	
15	905 107 142 01	compression spring		1	
16	905 107 143 01	slide		1	
17	999 701 135 50	o-ring R 15 X 2,5		1	
18	900 028 008 01	spring washer B 6		5	
19	900 076 010 02	hexagon nut M 6		2	
20	930 105 197 05	gasket		1	
21	900 074 111 02	hexagon-head bolt M 6 X 50		2	
22	900 074 022 02	hexagon-head bolt M 6 X 65		1	

Model	Year	MG	SG	Illustration	Restrictions	Update	11:05	23.08.2006	PORSCHE	PET	PORSCHE
914	76	1	04	104-05		203					

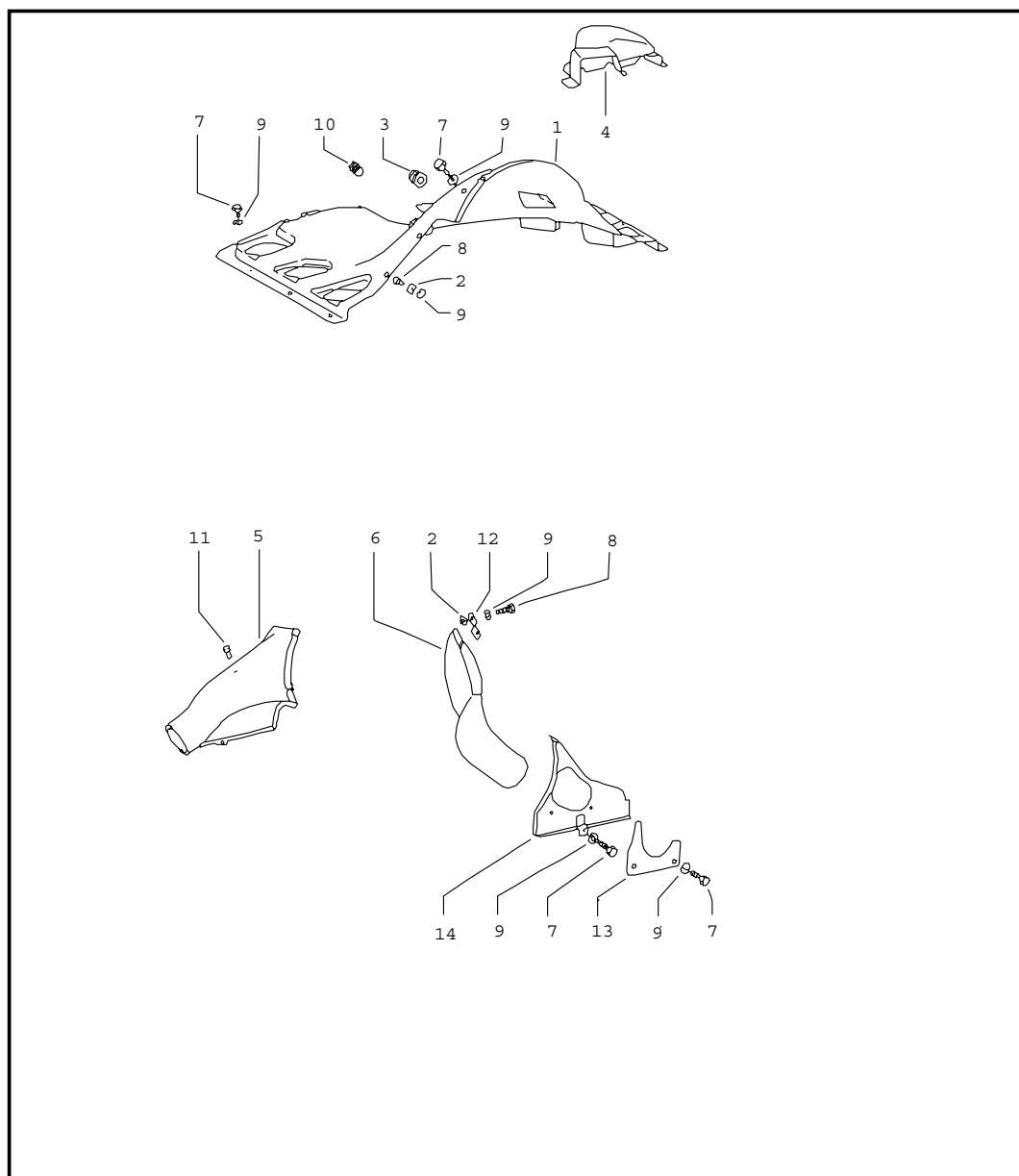
Pos	Part Number	Name	Remarks	Qty	Model	Pos	Part Number	Name	Remarks	Qty	Model
28	905 107 033 30	intake pipe I complete oil tank oil hose		1		42	999 134 012 02	banjo bolt switch housing		1	
28/1	905 107 019 30	oil hose complete intake pipe and return line		2		43	901 107 678 45	sealing ring for oil tank		2	
28/2	905 107 034 30	intake pipe II complete oil hose oil pump		1				- - - E N D - - -			
28/3	905 107 313 30	hose piece mount intake pipe I		1							
28/4	999 702 087 50	rubber sleeve		5							
28/5	905 107 718 30	bracket engine cover		1							
28/6	905 107 311 30	retaining bracket for intake pipe II		1							
29	905 107 038 02	pressure pipe complete oil pump switch housing		1							
30	905 107 035 31	return line I complete switch housing oil hose		1							
30/1	905 107 036 30	return line II complete oil hose oil tank		1							
32	901 107 005 40	oil tank bodyshell		1							
40	999 136 007 02	union		1							
41	900 123 043 30	sealing ring A 12 X 15,5		1							

Model	Year	MG	SG	Illustration	Restrictions	Update	11:05	23.08.2006	PORSCHE	PET	PORSCHE
914	76	1	05	105-00		203					



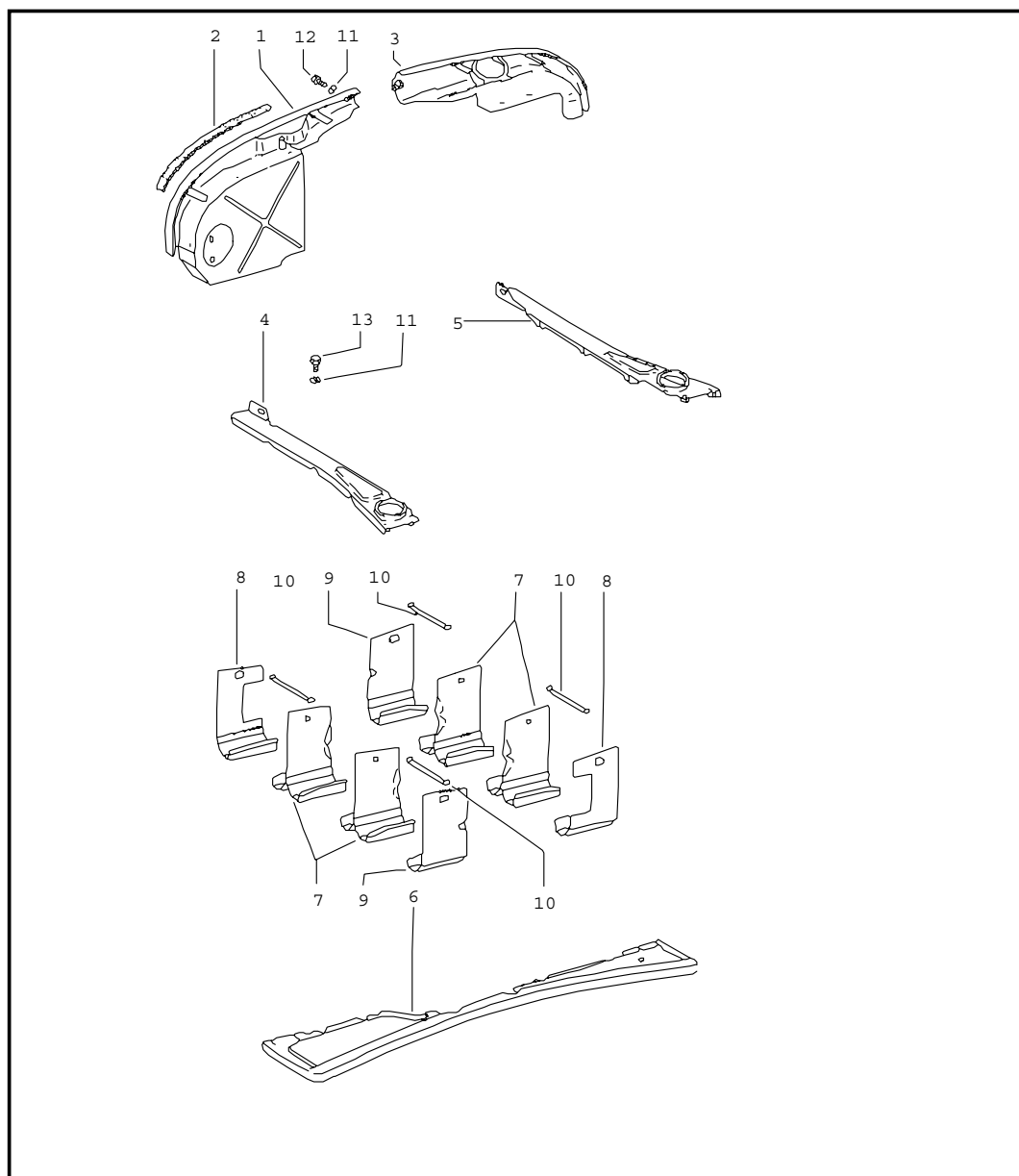
Pos	Part Number	Name	Remarks	Qty	Model
1	901 106 011 00	air cooling fan housing complete		1	914-6
1/1	999 062 006 02	stud BM 8 X 20		2	
2	964 106 251 20	clip		1	
2/2	N 014 715 3	pan-head screw M 8 X 45		1	
3	911 603 118 00	generator 770 W		1	
4	900 028 008 01	spring washer B 6		1	
5	900 076 010 02	hexagon nut M 6		6	
6	901 106 010 03	impeller complete		1	
7	901 105 561 00	shim		X	
8	901 603 421 01	pulley half		1	
9	901 603 427 01	tensioning cap for generator - bosch -		1	
(9)	901 603 428 00	tensioning cap for generator - MOTOROLA -		1	
10	911 106 033 00	hub extension complete black		1	
11	900 078 005 01	hexagon nut M 14 X 1,5		1	
12	999 192 176 50	narrow v-belt 9,5 X 710		1	
- - - E N D - - -					

Model	Year	MG	SG	Illustration	Restrictions	Update	11:05	23.08.2006	PORSCHE	PET	PORSCHE
914	76	1	05	105-05		203					



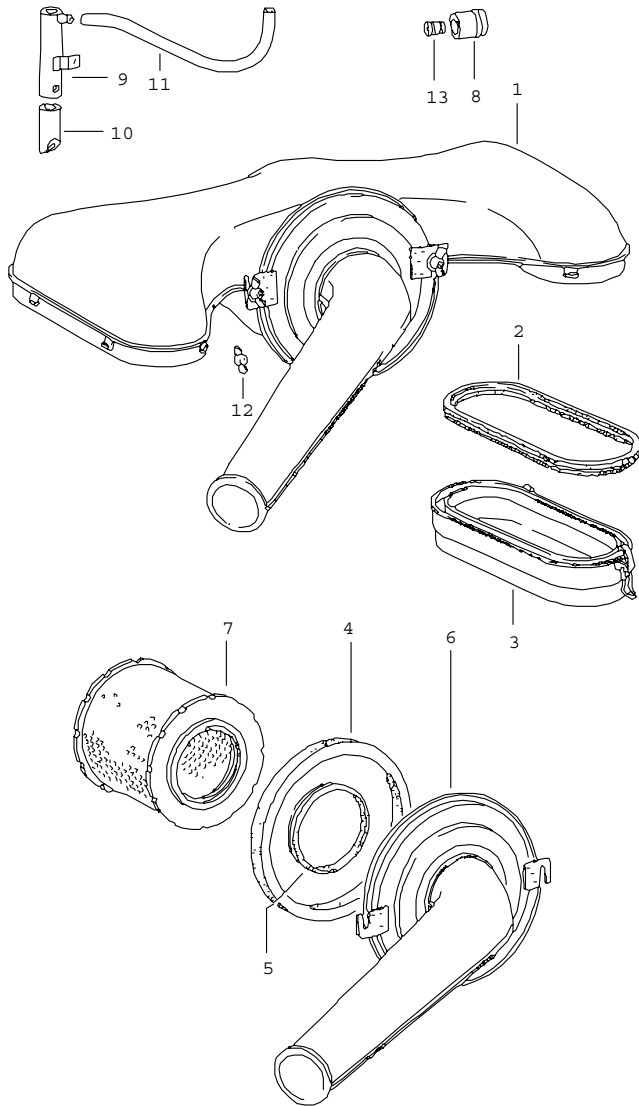
Pos	Part Number	Name	Remarks	Qty	Model
		air duct			914-6
1	911 106 901 00	air duct upper complete black		1	
2	999 507 003 02	speed nut B 6,3		5	
(2)	999 507 003 02	speed nut B 6,3 for hot air socket		1	
3	999 702 007 50	rubber sleeve 20 X 8 X 10		X	
4	911 106 406 00	air duct for oil cooler		1	
5	901 106 321 02	hot air socket	/H/L	1	
6	911 106 327 00	hot air socket	/H/R	1	
7	900 075 010 02	hexagon-head bolt M 6 X 12		18	
8	900 187 015 02	tapping screw B 6,3 X 16 for air duct upper		4	
9	N 011 524 7	washer 6,4		22	
(9)	N 011 524 7	washer 6,4 for hot air socket		1	
10	999 703 092 40	plug 9 X 18,5 / 14		1	
11	999 703 013 50	plug		1	
12	911 106 331 00	support		1	
13	911 106 827 00	closing plate	/R	1	
14	911 106 036 00	cover plate complete	/H/R	1	
- - - E N D - - -					

Model	Year	MG	SG	Illustration	Restrictions	Update	11:05	23.08.2006	PORSCHE	PET	PORSCHE
914	76	1	05	105-10		203					



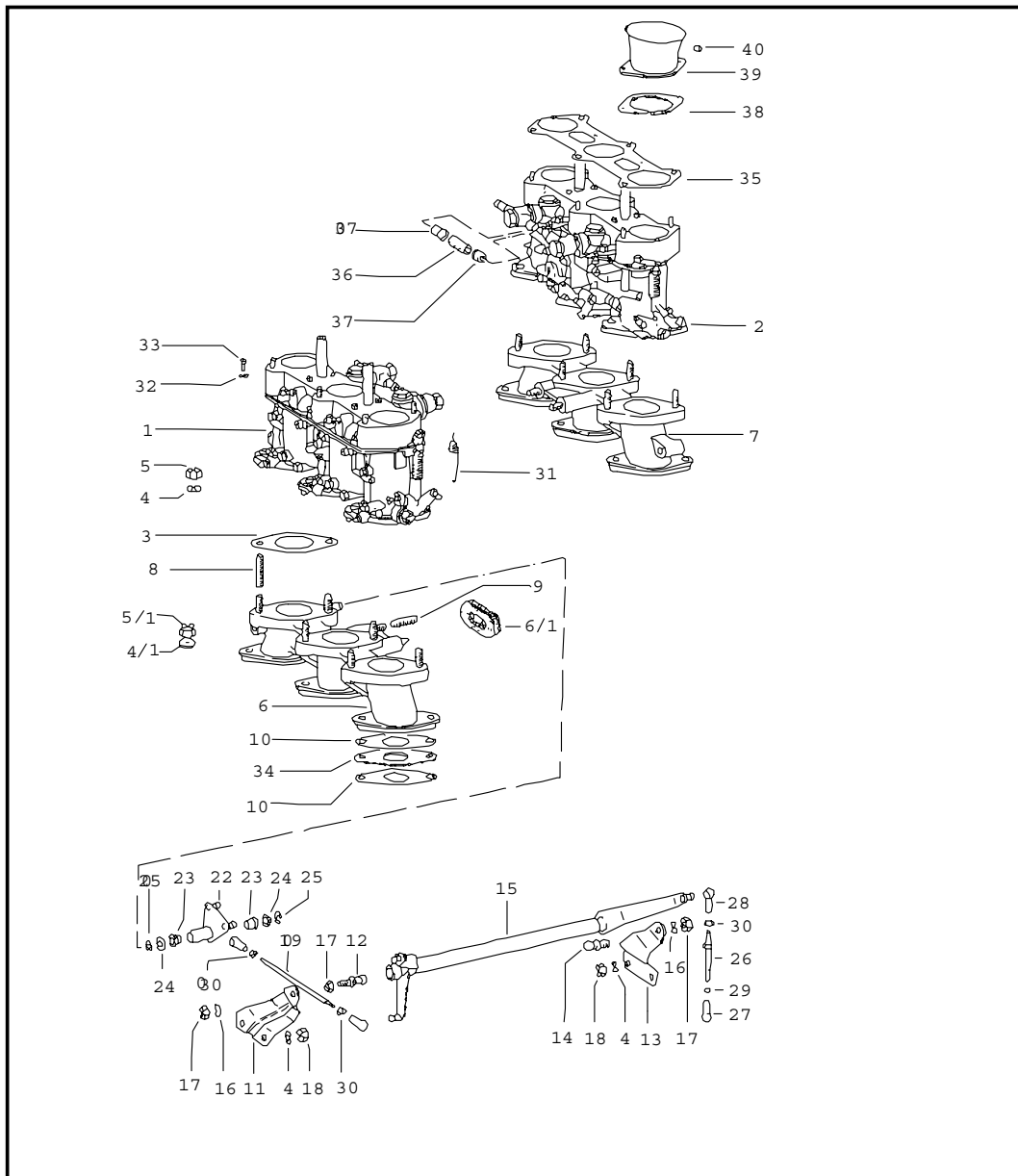
Pos	Part Number	Name	Remarks	Qty	Model
		engine cover air duct			914-6
1	901 106 076 00	engine cover		1	
-	999 613 017 40	covering for cable holder		1	
3	901 106 075 00	engine cover		1	
4	901 106 073 00	engine cover complete cylinder 1-3		1	
5	901 106 074 00	engine cover complete cylinder 4-6		1	
6	901 106 817 00	engine cover		1	
7	901 106 035 01	baffle plate complete centre		4	
8	901 106 041 00	baffle plate left front, right rear		2	
9	901 106 039 01	baffle plate right front, left rear		2	
10	930 106 228 00	leaf spring		4	
11	N 011 524 7	washer 6,4		25	
12	N 010 208 5	hexagon-head bolt M 6 X 8		1	
13	900 075 010 02	hexagon-head bolt M 6 X 12		22	
		- - - E N D - - -			

Model	Year	MG	SG	Illustration	Restrictions	Update	11:05	23.08.2006	PORSCHE	PET	PORSCHE
914	76	1	06	106-00		203					



Pos	Part Number	Name	Remarks	Qty	Model
		air filter system			914-6
1	911 108 001 02	air filter system		1	
2	901 108 214 03	gasket		2	
3	911 108 014 00	connecting piece		2	
4	901 108 215 00	gasket		1	
5	901 108 983 00	gasket		1	
6	911 108 041 01	cover		1	
7	901 108 955 11	filter element		1	
8	901 107 729 00	backfire grid		1	
9	911 108 021 00	pipe		1	
10	253 260 180	valve		1	
-	999 180 030 50	fuel hose C 7 X 12		*	
11	-	285 MM		1	
12	999 044 001 02	winged nut M 8		2	
-	900 025 038 40	washer 8,4		2	
13	911 108 291 00	plug		1	
- - - E N D - - -					

Model	Year	MG	SG	Illustration	Restrictions	Update	11:06	23.08.2006	PORSCHE	PET	PORSCHE
914	76	1	07	107-00		203					

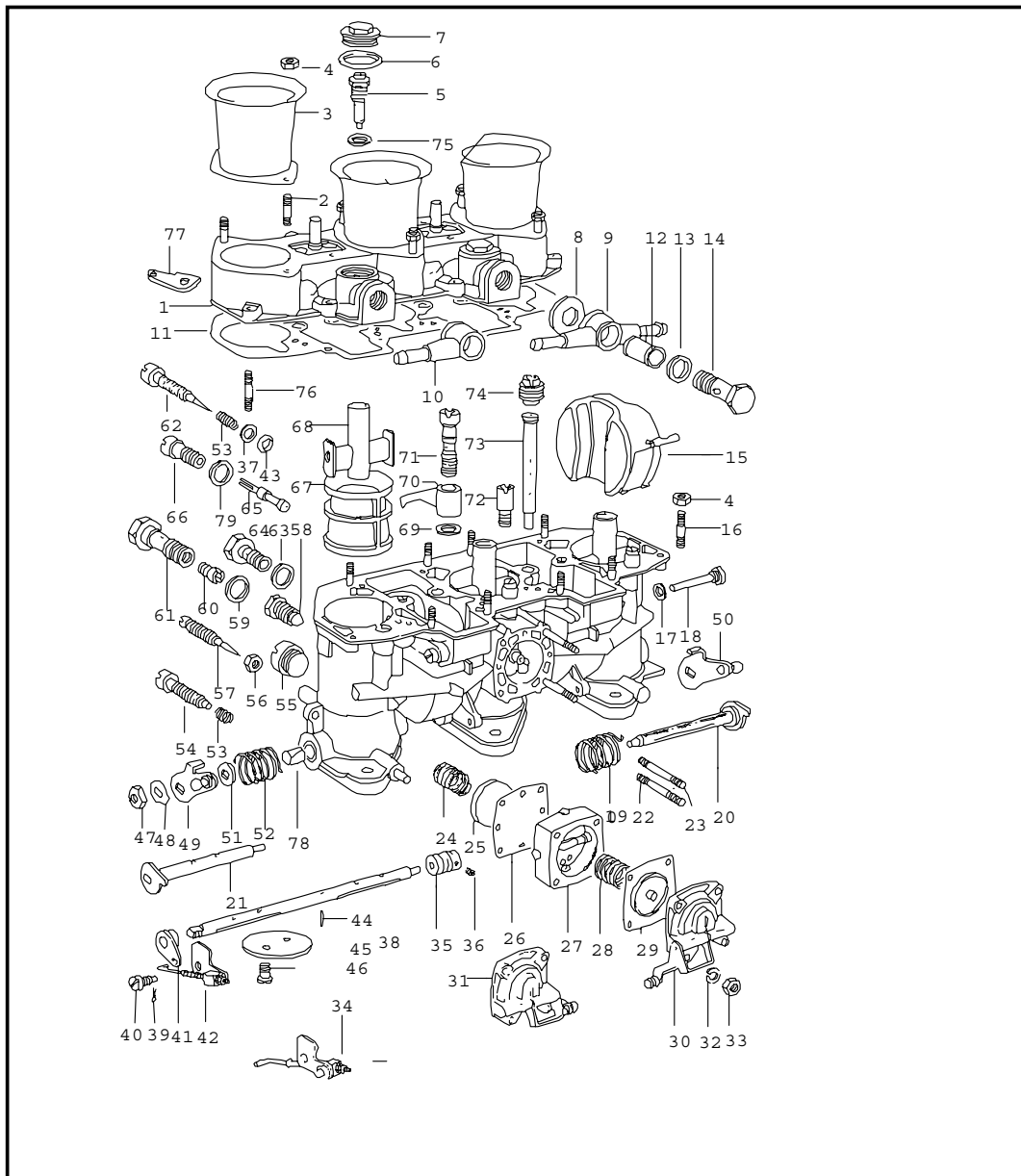


Pos	Part Number	Name	Remarks	Qty	Model
1	901 108 115 00	carburetor 40 IDT P 1 3 C 1 carburetor 4 - 6		1	914-6
2	901 108 126 01	carburetor 40 IDT P 1 3 C cylinder 1 - 3		1	
3	901 108 398 01	gasket		6	
3	901 108 398 01	gasket without asbestos for carburetor		6	
4	N 012 241 1	spring washer B 8 X 15		16	
4/1	900 031 014 30	washer 8,4		12	
5	502 08 310	nut		12	
5/1	999 084 601 02	lock nut M 8 SNM 8		12	
6	901 108 039 04	intake manifold complete	/L	1	901/36/38
(6)	905 108 031 04	intake manifold complete	/L	1	901/37/39
6/1	999 703 076 50	rubber sleeve intake manifold		2	
7	901 108 040 13	intake manifold complete	/R	1	901/36/37
8	999 062 007 02	stud BM 8 X 22		12	
9	900 061 022 01	stud M 8 X 12		4	
10	901 108 391 04	gasket for intake manifold		12	
11	901 108 843 00	lever	/L	1	
12	999 167 020 02	ball pin		1	
13	901 108 844 00	lever	/R	1	

Model	Year	MG	SG	Illustration	Restrictions	Update	11:06	23.08.2006	PORSCHE	PET	PORSCHE
914	76	1	07	107-00		203					

Pos	Part Number	Name	Remarks	Qty	Model	Pos	Part Number	Name	Remarks	Qty	Model
14	999 167 020 02	ball pin		1		32	N 012 224 3	spring washer B 4		8	
15	911 108 071 00	actuating lever complete		1	901/36/37	33	900 014 073 02	pan-head screw M 4 X 10		8	
16	N 012 241 1	spring washer B 8 X 15		2		34	901 108 131 00	intermediate flange		6	
17	N 011 118 11	hexagon nut BM 8		3		35	901 108 218 00	gasket		2	
18	502 08 310	nut		4		36	999 180 030 50	fuel hose C 7 X 12 60 MM		*	
19	901 108 648 00	pull rod		1		37	901 108 219 00	cap		4	
22	901 108 710 00	reverse lever		1	901/36/38	38	911 110 391 00	gasket		6	
(22)	905 108 070 02	reverse lever		1	901/37/39: SPM	39	PCG 108 322 01	intake trumpet		6	
(22)	901 108 720 00	reverse lever		1		40	N 021 196 1	lock nut M 5		12	
23	901 423 253 00	bearing sleeve		2							
-	900 089 011 02	washer 4		1	SPM						
-	N 012 224 3	spring washer B 4		1	SPM						
-	900 067 080 02	pan-head screw M 4 X 10		1	SPM						
24	900 031 001 02	washer 8,4		2							
25	900 116 009 01	lock washer 6		2							
26	901 108 089 00	push rod complete		2							
27	900 169 010 02	ball socket A 8 left		2							
28	N 015 521 3	ball socket A 8		4							
29	900 076 029 02	hexagon nut M 5 left		2							
30	900 076 027 02	hexagon nut M 5		4							
31	901 108 631 00	tension spring		2							
								- - - E N D - - -			

Model	Year	MG	SG	Illustration	Restrictions	Update	11:06	23.08.2006	PORSCHE	PET	PORSCHE
914	76	1	07	107-05		203					



Pos	Part Number	Name	Remarks	Qty	Model
		carburetor repair material WEBER - 40 IDTP1 3C - 3C1			914-6
1	901 100 930 01	cover carburetor with stud		1	
2	901 100 932 00	stud		6	
3	PCG 108 322 01	intake trumpet		3	
4	901 100 814 00	nut		16	
5	901 100 934 00	carburetor needle valve 1,75		2	
6	PCG 100 914 00	sealing ring		2	
7	901 100 801 00	screw plug		2	
8	901 100 915 00	sealing ring		2	
9	901 100 935 00	connecting piece fuel strainer		1	
10	901 100 936 00	connecting piece fuel strainer		1	
11	901 100 937 00	sealing ring		1	
12	901 100 808 00	fuel strainer		2	
13	901 100 916 00	sealing ring		2	
14	901 100 938 00	screw plug		2	
15	901 100 807 00	float 25,5 G		2	
16	901 100 813 00	stud		9	
17	901 100 917 00	sealing ring		2	
18	901 100 811 00	screw for float axle		2	
19	901 100 939 00	spring		1	
20	901 100 941 01	shaft 40 IDTP 3 C1	/L	1	
21	901 100 940 01	shaft 40 IDTP 3 C		1	

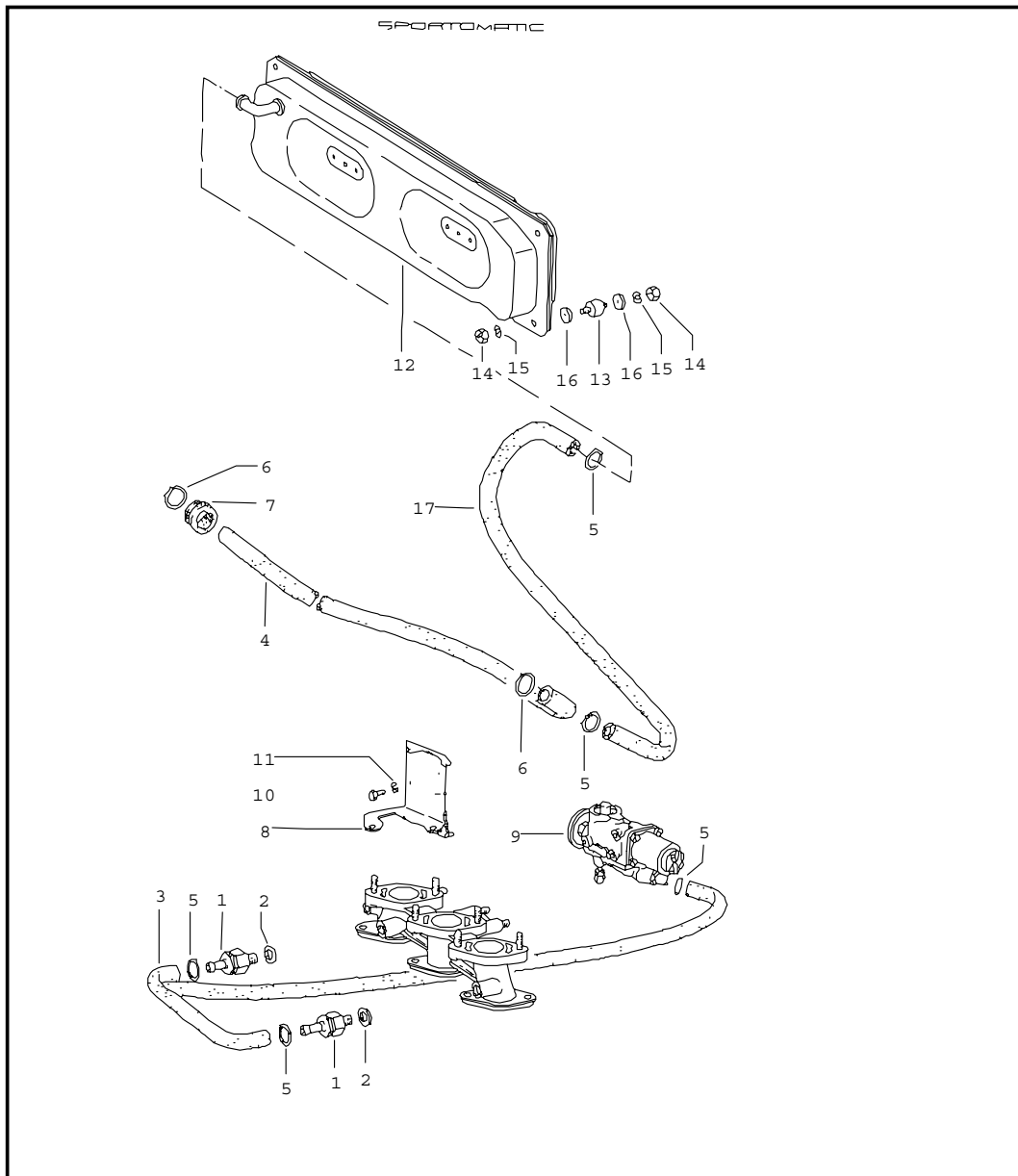
Model	Year	MG	SG	Illustration	Restrictions	Update	11:06	23.08.2006	PORSCHE	PET	PORSCHE
914	76	1	07	107-05		203					

Pos	Part Number	Name	Remarks	Qty	Model	Pos	Part Number	Name	Remarks	Qty	Model
22	901 100 942 00	stud		2		46	901 100 966 01	screw		6	
23	901 100 943 01	stud		2		47	901 100 803 00	nut		1	
24	901 100 944 00	spring		1		48	901 100 967 01	spacer		1	
25	901 100 945 00	valve closed		1		49	901 100 969 02	lever 40 IDTP 3C1	/L	1	
26	901 100 946 00	diaphragm		1		50	901 100 968 02	lever 40 IDTP 3C	/R	1	
27	901 100 947 00	lower part pump		1		51	901 100 971 01	spacer		1	
28	901 100 948 00	spring		1		52	901 100 972 00	spring		1	
29	901 100 949 00	diaphragm		1		53	901 100 805 00	spring		4	
30	901 100 951 00	cover pump 40 IDTP 3C	/L	1		54	901 100 804 00	adjusting screw flap		1	
31	901 100 950 00	cover pump 40 IDTP 3C1	/R	1		55	901 100 973 00	screw		3	
32	901 100 952 00	lock ring		4		56	901 100 809 00	nut		3	
33	901 100 953 01	nut		4		57	901 100 974 00	adjusting screw		3	
34	901 100 912 01	linkage 40 IDTP 3C	/R	1		58	901 100 976 01	fastening screw for funnel		1	
35	901 100 955 01	connecting piece		1		59	901 100 977 00	sealing ring		3	
36	901 100 954 03	screw		4		60	901 100 978 16	main vent 105		3	
37	901 100 956 02	spacer		3		61	901 100 979 00	jet carrier		3	
38	901 100 958 01	shaft		1		62	PCG 100 980 02	adjusting screw		3	
39	616 100 812 00	retaining spring		1		63	901 100 918 00	sealing ring		2	
40	901 100 960 01	screw for float axle		1		64	901 100 806 00	drain plug		2	
41	901 100 961 00	lever		1		65	901 100 981 06	idle jet 0,45		3	
42	901 100 911 01	linkage 40 IDTP 3C1	/L	1		66	901 100 982 00	jet carrier		3	
43	901 100 998 00	sealing ring		3		67	901 100 983 03	funnel \$ 27		3	
44	901 100 812 00	pin		1		68	901 100 985 00	atomiser 4,50		3	
45	901 100 965 00	flap		3		69	901 100 919 00	sealing ring		3	

Model	Year	MG	SG	Illustration	Restrictions	Update	11:06	23.08.2006	PORSCHE	PET	PORSCHE
914	76	1	07	107-05		203					

Pos	Part Number	Name	Remarks	Qty	Model	Pos	Part Number	Name	Remarks	Qty	Model
70	901 100 986 00	pump jet 050		3							
-	901 100 986 05	pump jet 050 + 2 MM		3							
71	901 100 987 00	pressure valve		3							
72	901 100 810 00	suction valve closed		1							
73	901 100 988 04	pipe F 1		3							
74	901 100 989 01	air correction jet 170		3							
75	901 100 990 01	sealing ring 1 MM		2							
(75)	901 100 995 00	sealing ring 0,25 MM		2							
(75)	901 100 996 00	sealing ring 0,5 MM		2							
76	901 100 802 00	stud		1							
77	901 100 993 00	bracket		1							
78	901 100 997 00	bush		2							
79	901 100 998 00	sealing ring		3							
		- - - E N D - - -									

Model	Year	MG	SG	Illustration	Restrictions	Update	11:06	23.08.2006	PORSCHE	PET	PORSCHE
914	76	1	07	107-20		203					



Pos	Part Number	Name	Remarks	Qty	Model
		vacuum system for clutch release	-71		914-6:SPM
1	905 116 725 00	check valve		2	
2	900 123 008 30	sealing ring A 14 X 20		2	
3	905 108 075 00	hose		1	
4	905 108 703 00	hose 15 X 3,5 X 560 MM		1	
5	999 512 140 02	hose clamp \$ 19,05		5	
6	999 512 141 02	hose clamp \$ 22,23		2	
7	999 702 064 50	rubber sleeve		1	
(7)	999 702 093 50	rubber sleeve		1	
8	905 108 043 00	support		1	
9	905 108 370 00	control valve		1	
10	900 075 010 02	hexagon-head bolt M 6 X 12		3	
11	900 028 008 01	spring washer B 6		3	
12	914 116 033 10	vacuum tank		1	
13	901 504 853 20	bearing		3	
14	900 076 010 02	hexagon nut M 6		6	
15	N 012 007 2	lock ring A 6		6	
16	N 011 524 7	washer 6,4		6	
17	905 108 708 30	vacuum hose 12 X 3,5 X 680 MM		1	
- - - E N D - - -					

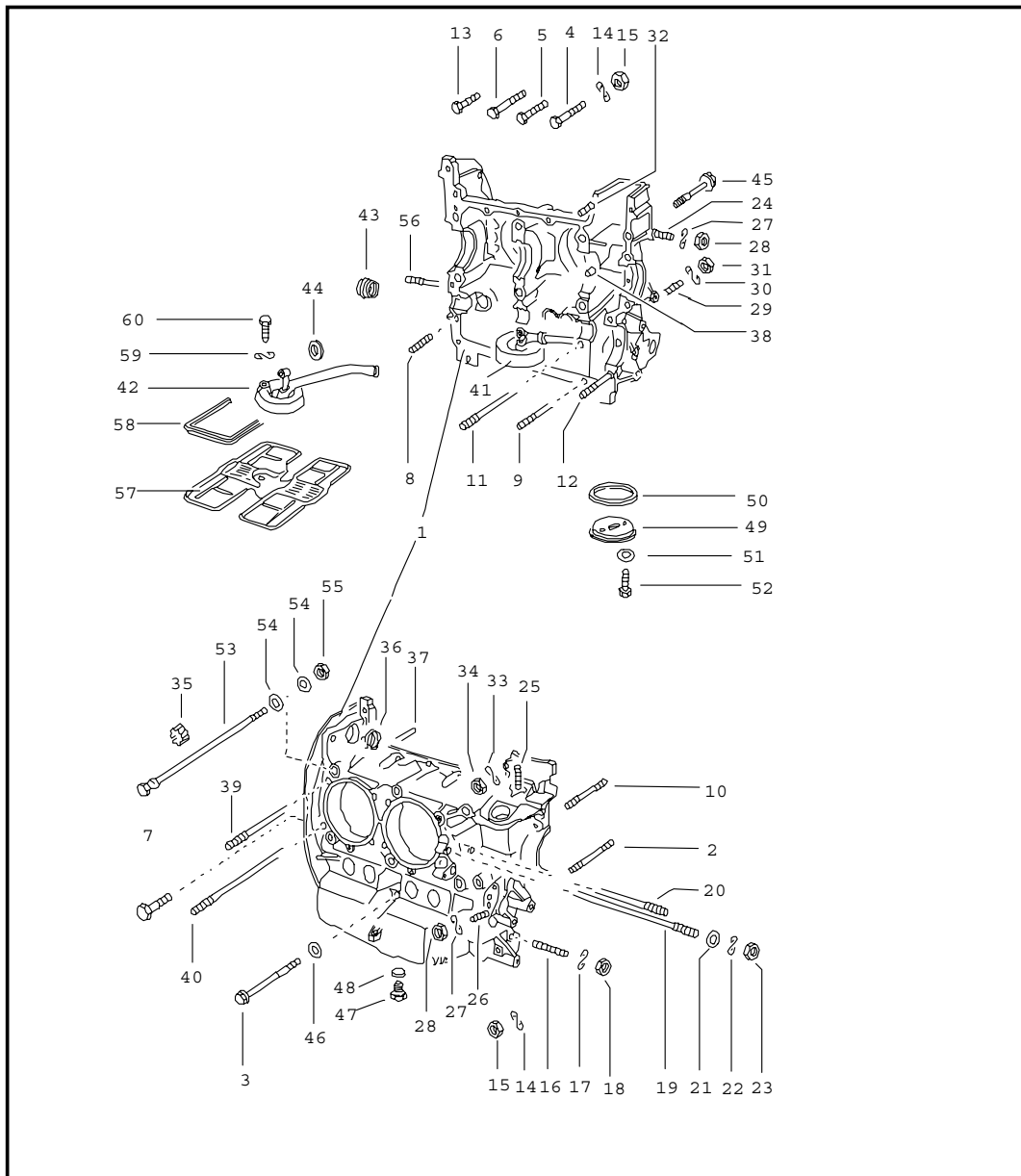
Model	Year	MG	SG	Illustration	Restrictions	Update	11:06	23.08.2006
914	76	1	11	111-00		203		

Pos	Part Number	Name	Remarks	Qty	Model
		replacement engine			914
		replacement engine complete with generator clutch without exhaust silencer heat exchanger			
-	022 100 025 B	engine 80 PS M >> W0 057 460		1	914-4
-	022 100 027 D	engine 80 PS M W0 057 461 >> M >> W0 129 581		1	914-4
-	022 100 058 DX	engine exchange 59 KW, 80 DIN-PS use also: F >>47229 21580 022.129.607.H		1	914-4
-	022 100 027 T	engine 80 PS M W0 129 582 >> M >> W0 170 000		1	914-4
-	022 100 058 DV	engine 80 PS M W0 170 001 >> M >> W0 250 000		1	914-1,7
-	021 100 027 P	engine 85 PS M AN0 000 001>>		1	914-1,8V
-	039 100 027 V	engine 100 PS M >>GB0 007 401		1	914-2,0
-	039 100 027 A	engine 100 PS M GB0 007 402>>		1	914-2,0
-	022 100 173	sticker ignition point 27' M >> W0 170 000		1	914-4
-	022 100 173	sticker ignition point 27' M W0 170 001 >> M GB0 000 001>> M >> W0 250 000		1	914-4/2,0

Model	Year	MG	SG	Illustration	Restrictions	Update	11:06	23.08.2006
914	76	1	11	111-00		203		

Pos	Part Number	Name	Remarks	Qty	Model
-	039 100 175	sticker valve clearance M GB0 000 001>>		1	914-2,0
-	021 100 173 H	sticker		1	914-1,8V
-	022 100 031 PX	short engine exchange 59 KW, 80 DIN-PS D-JETRONIC with cylinder head oil cooler flywheel we take back: 022.100.031.P 022.100.025.H	A)	1	022.W ,EA/US
-	PCG 100 031 X	short engine exchange 74 KW, 100 DIN-PS with cylinder head oil cooler flywheel we take back: 039.100.031		1	039.GB
- - - E N D - - -					

Model	Year	MG	SG	Illustration	Restrictions	Update	11:07	23.08.2006	PORSCHE	PET	PORSCHE
914	76	1	11	111-05		203					



Pos	Part Number	Name	Remarks	Qty	Model
		crankcase			914
(1)	021 101 025 H	crankcase		1	914-1,8V
1	923 101 941 00	crankcase		1	914-4/1,7
		use also:			
	N 014 532 3	stud		4	
	N 014 557 1	stud		2	
(1)	923 101 941 00	crankcase		1	914-1,8/2,0
2	N 014 394 2	stud	AM 8 A X 65	1	
(2)	N 014 577 1	stud	CM 10 A/M 8 X 65 oversize	1	
3	N 010 373 2	hexagon-head bolt	M 8 X 72	1	
4	N 010 387 2	hexagon-head bolt	M 8 X 88	1	
5	N 010 361 4	hexagon-head bolt	M 8 X 65	1	
6	N 010 390 1	hexagon-head bolt	M 8 X 95	1	914-4/1,7 914-1,8/2,0
7	900 074 129 02	hexagon-head bolt	M 8 X 42	1	
8	N 014 395 3	stud	AM 8 A X 42	1	
(8)	N 014 560 1	stud	CM 10 A/M 8 X 42 oversize	1	
9	N 014 555 1	stud	AM 8 A X 44	4	
(9)	N 014 580 1	stud	CM 10 A/M 8 X 44 oversize	4	
10	N 014 428 5	stud	AM 8 A X 48	2	
(10)	N 014 484 5	stud	CM 10 A/M 8 X 48 oversize	2	
11	N 014 556 1	stud	AM 8 A X 121	1	

Model	Year	MG	SG	Illustration	Restrictions	Update	11:07	23.08.2006	PORSCHE	PET	PORSCHE
914	76	1	11	111-05		203					

Pos	Part Number	Name	Remarks	Qty	Model	Pos	Part Number	Name	Remarks	Qty	Model
(11)	N 014 486 2	stud CM 10 A/M 8 X 125 oversize		1		21	N 011 524 7	washer A 6,4		3	
12	N 014 417 4	stud AM 8 A X 81		1		22	N 012 226 5	spring washer B 6		3	
(12)	N 014 589 1	stud CM 10 A/M 8 X 78 oversize		1		23	900 076 010 02	hexagon nut M 6		3	
13	N 010 345 5	hexagon-head bolt M 8 X 45 X 22		1		24	N 014 395 3	stud AM 8 A X 42 for fan housing		4	
14	N 012 241 11	spring washer B 8 X 15		16		(24)	N 014 584 1	stud CM 10 A/M 8 X 43 oversize for fan housing		4	
15	N 011 008 8	hexagon nut M 8		16		25	N 014 398 3	stud AM 8 A X 27 f.ignition distributor		1	
16	N 014 532 3	stud AM 8 A X 32 for oil pump		4		26	N 014 400 3	stud AM 8 A X 35 for oil filter intermediate flange		2	
(16)	N 014 562 3	stud CM 10 A/M 8 X 12 oversize for oil pump		4		(26)	N 014 483 2	stud CM 10 A/M 8 X 38 oversize for oil filter intermediate flange		2	
17	N 012 241 11	spring washer B 8 X 15		4		27	N 012 241 11	spring washer B 8 X 15		7	
18	N 011 008 8	hexagon nut M 8		4		28	N 011 008 8	hexagon nut M 8		7	
19	N 014 536 1	stud AM 6 A X 105 for oil cooler		2		29	N 014 542 1	stud AM 6 A X 21 for thermostat support		2	
(19)	N 014 585 1	stud CM 8 A/M 6 X 105 oversize for oil cooler		2		(29)	N 014 478 1	stud CM 8 A/M 6 X 21 oversize for thermostat support		2	
20	N 014 539 1	stud AM 6 A X 56 for oil cooler		1		30	N 012 226 5	spring washer B 6		2	
(20)	N 014 565 1	stud CM 8 A/M 6 X 56 oversize for oil cooler		1							

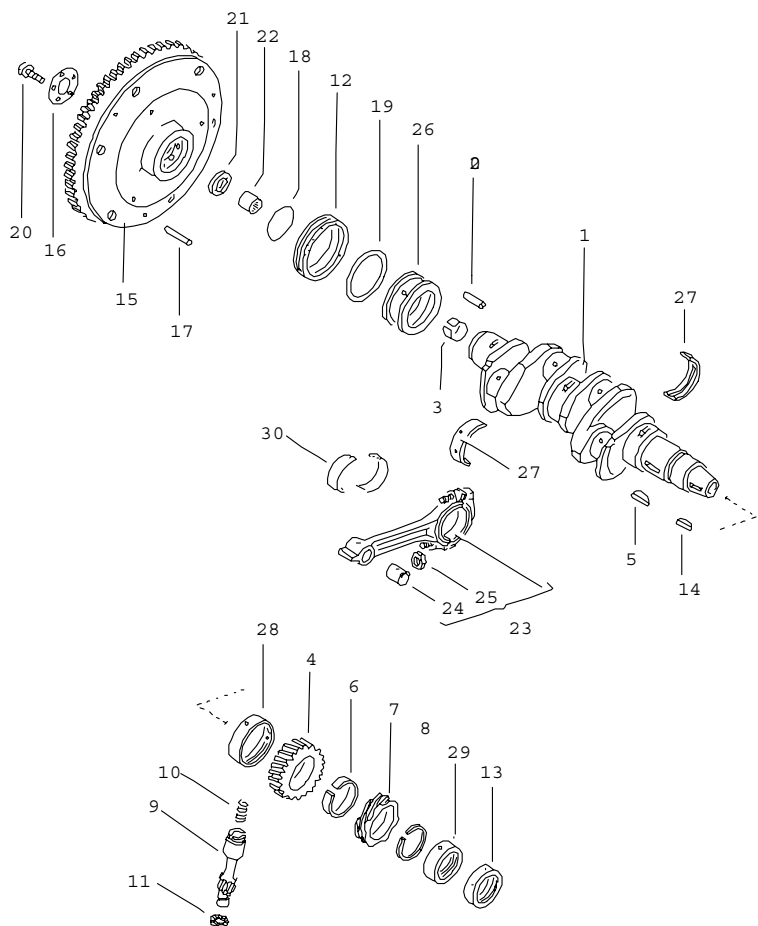
Model	Year	MG	SG	Illustration	Restrictions	Update	11:07	23.08.2006	PORSCHE	PET	PORSCHE
914	76	1	11	111-05		203					

Pos	Part Number	Name	Remarks	Qty	Model	Pos	Part Number	Name	Remarks	Qty	Model
31	900 076 010 02	hexagon nut M 6		2		41	021 101 149	oil tube with cover plate M >> W0 057 460		1	914-4
32	N 014 545 2	stud AM 6 A X 36		2		42	021 101 149 A	oil tube with cover plate M >> W0 250 000 M W0 057 461 >> M AN0 000 001>> M GB0 000 001>>		1	914-1,7/1,8V 914-1,8/2,0
(32)	N 014 591 1	stud CM 8 A/M 6 X 34 oversize		2							
33	N 012 226 5	spring washer B 6		2		43	113 101 157 C	cover for camshaft		1	
34	900 076 010 02	hexagon nut M 6		2		44	021 101 173	sealing ring for oil tube		1	
35	021 101 107	vibration damper		6		45	021 101 187	hexagon-head bolt M 8 X 113		1	
36	021 101 109	cap		1		46	021 101 189	sealing ring 8,2 X 16		1	
(36)	021 101 109 A	plug timing mark sender		1	914-1,8V/1,8	47	021 101 195	drain plug		1	
37	113 101 111	straight pin 8 X 25		2		48	N 013 805 1	sealing ring C 12 X 18		1	
38	111 101 123	straight pin for crankshaft bearing		5		49	021 101 267	cover for oil sump		1	914-4/1,7 914-1,8V/1,8
39	025 101 147 A	stud M 10/M 12 X 1,5 X 172,5 upper for cylinder head		8		(49)	039 101 267	cover for remote temperature sensor for oil sump M AN0 000 001>> M >> W0 250 000 M W0 170 001 >> M GB0 000 001>>		1	914-1,7/1,8V 914-1,8/2,0
(39)	N 021 570 1	stud CM 14 X 1,5 A/M 10 X 173 oversize upper for cylinder head		8		50	021 101 269 A	sealing ring for cover		1	
40	021 101 147 A	stud M 10/M 12 X 1,5 X 221,5 lower for cylinder head		8		(50)	039 101 287	gasket for remote temperature sensor M AN0 000 001>> M >> W0 250 000 M W0 170 001 >> M GB0 000 001>>		1	914-1,7/1,8V 914-1,8/2,0
(40)	N 021 574 1	stud CM 14 X 1,5 A/M 10 X 222 oversize lower for cylinder head		8		51	N 013 803 2	sealing ring C 6 X 10		2	

Model	Year	MG	SG	Illustration	Restrictions	Update	11:07	23.08.2006	PORSCHE	PET	PORSCHE
914	76	1	11	111-05		203					

Pos	Part Number	Name	Remarks	Qty	Model	Pos	Part Number	Name	Remarks	Qty	Model
52	N 010 210 13	hexagon-head bolt M 6 X 10 K		2							
-	039 101 275	protection cap remote temperature sensor for cover oil pan M AN0 000 001>> M >> W0 250 000 M W0 170 001 >> M GB0 000 001>>		1	914-1,7/1,8V 914-1,8/2,0						
-	039 101 283	cable holder remote temperature sensor M AN0 000 001>> M W0 170 001 >> M GB0 000 001>>		2	914-1,7/1,8V 914-1,8/2,0						
53	021 101 145 B	hexagon-head bolt M 10 X 125 X 113		6							
54	021 101 129	washer 10,2 X 22		12							
55	021 101 131 E	hexagon nut M 10 X 1,25		6							
56	N 014 557 1	stud AM 10 A X 92 for engine suspension		2							
(56)	N 014 588 1	stud CM 12 X 1,5 A/M 10 X 92 oversize for engine suspension		2	914-4/1,7 914-1,8V/2,0						
57	022 101 553	cover plate M W0 057 461 >>		1							
58	022 101 559	gasket for cover plate M W0 057 461 >> M >> W0 250 000 M AN0 000 001>> M GB0 000 001>>		4							
59	N 012 226 5	spring washer B 6		1							
60	N 010 210 13	hexagon-head bolt M 6 X 10 K		1							
		- - - E N D - - -									

Model	Year	MG	SG	Illustration	Restrictions	Update	11:07	23.08.2006	PORSCHE	PET	PORSCHE
914	76	1	12	112-00		203					



Pos	Part Number	Name	Remarks	Qty	Model
		crankshaft			914
1	021 105 101	crankshaft		1	914-4/1,7 914-1,8V/1,8
(1)	039 105 101 A	crankshaft		1	914-2,0
2	N 013 309 1	tensioning sleeve 4,5 X 16		1	
3	022 105 159	spacer sleeve		1	
4	021 105 209 A	gear wheel		1	
5	111 105 213	woodruff key for gear wheel		1	
6	113 105 219	intermediate ring		1	
7	901 102 115 00	drive wheel drive wheel		1	
8	111 105 227	circlip for distributor drive wheel		1	
9	021 105 231	distributor drive shaft		1	
10	111 105 233	spring		1	
11	021 105 235	washer 1,3 MM		1	
12	029 105 245 B	sealing ring \$ 95 MM		1	
13	021 105 247 A	sealing ring \$ 62 MM		1	
14	N 012 708 2	woodruff key 4 X 5		1	
15	022 105 273 A	flywheel		1	
16	021 105 275	washer		1	
17	N 013 197 1	straight pin 6 X 18		3	
18	021 105 279	sealing ring		1	
19	021 105 281	spacer 0,30 MM		1	

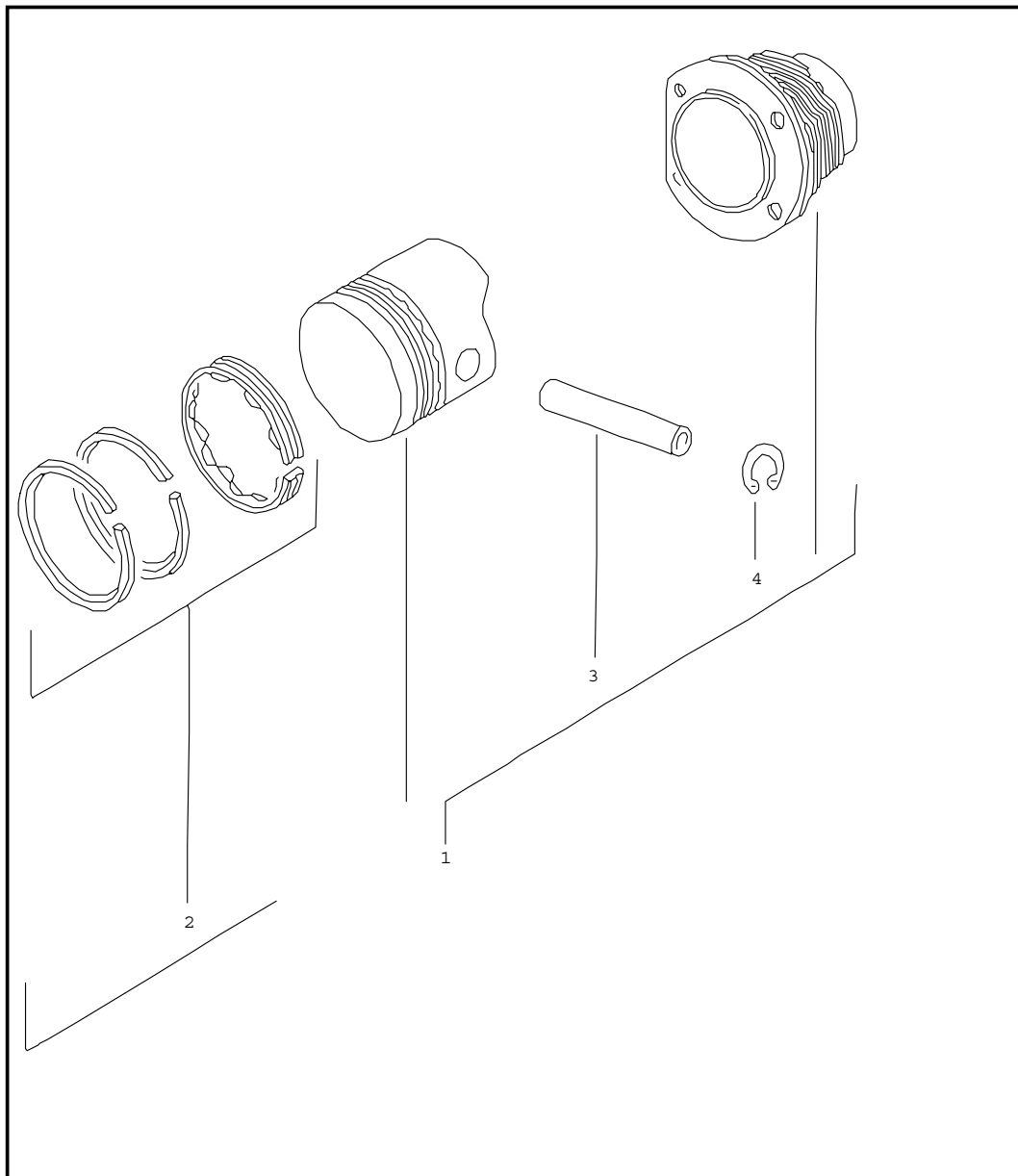
Model	Year	MG	SG	Illustration	Restrictions	Update	11:07	23.08.2006	PORSCHE	PET	PORSCHE
914	76	1	12	112-00		203					

Pos	Part Number	Name	Remarks	Qty	Model	Pos	Part Number	Name	Remarks	Qty	Model
(19)	021 105 283	spacer 0,32 MM		1		(26)	021 105 513 B	crankshaft bearing 1 outer \$ 70 MM undersize 0,50 mm		1	
(19)	021 105 285	spacer 0,34 MM		1							
(19)	021 105 287	spacer 0,36 MM		1		(26)	021 105 519 A	crankshaft bearing 1 outer \$ 70 MM undersize 0,75 MM		1	
(19)	021 105 289	spacer 0,38 MM		1							
(19)	021 105 291	spacer 0,24 MM		1		27	021 105 531 E	bearing shell for crankshaft bearing 2 outer \$ 70 MM		2	
20	N 014 336 1	hexagon-head bolt M 12 X 1,5 X 25 self-locking		5							
21	111 105 311	sealing ring		1							
22	111 105 313 A	needle-roller bearing		1		(27)	021 105 537 E	bearing shell for crankshaft bearing 2 outer \$ 70 MM undersize 0,25 mm		2	
23	022 105 401	connecting rod		4	914-4/1,7						
	041	black									
	084	white									
(23)	022 105 401	connecting rod		4	914-1,8V/1,8	(27)	021 105 543 E	bearing shell for crankshaft bearing 2 outer \$ 70 MM undersize 0,50 mm		2	
	041	black									
	084	white									
(23)	039 105 401	connecting rod		4	914-2,0	(27)	021 105 549 E	bearing shell for crankshaft bearing 2 outer \$70 MM undersize 0,75 MM		2	
	041	black									
	084	white M GB0 000 001>>									
24	113 105 427	hexagon nut		8							
25	021 105 431 A	connecting rod bush		4		28	021 105 561 A	crankshaft bearing 3 outer \$ 70 MM		1	
26	021 105 501 B	crankshaft bearing 1 outer \$ 70 MM		1		(28)	021 105 567 A	crankshaft bearing 3 outer 70 MM undersize 0,25 mm		1	
(26)	021 105 507 B	crankshaft bearing 1 outer \$ 70 MM undersize 0,25 mm		1							

Model	Year	MG	SG	Illustration	Restrictions	Update	11:07	23.08.2006	PORSCHE	PET	PORSCHE
914	76	1	12	112-00		203					

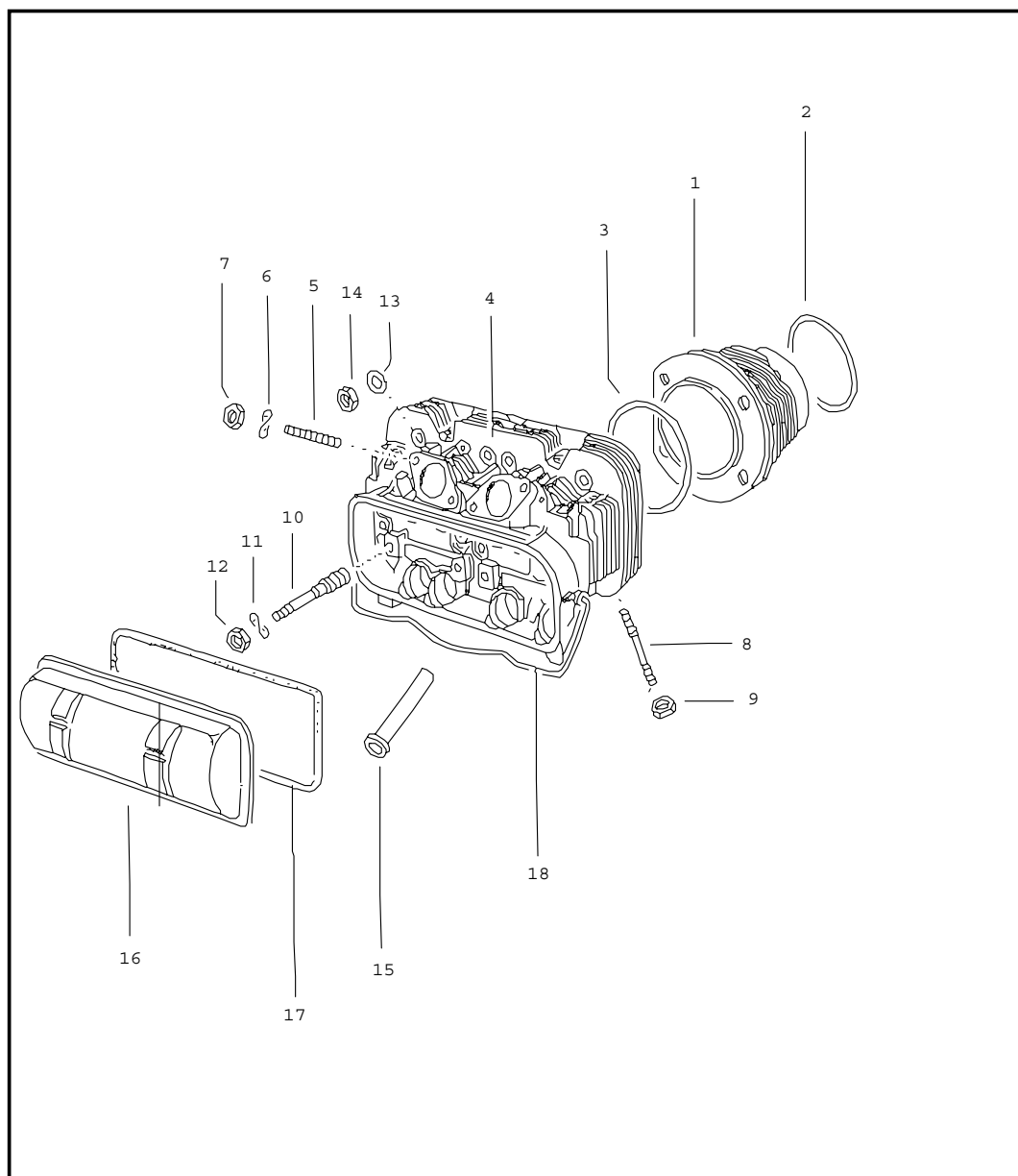
Pos	Part Number	Name	Remarks	Qty	Model	Pos	Part Number	Name	Remarks	Qty	Model
(28)	021 105 573 A	crankshaft bearing 3 outer \$ 70 MM undersize 0,50 mm		1		(30)	021 105 719 A	connecting rod bearing shell undersize 0,75 MM		8	914-4/1,7 914-1,8V/1,8
(28)	021 105 579 A	crankshaft bearing 3 outer \$ 70 MM undersize 0,75 MM		1		(30)	039 105 719	bearing shell undersize 0,75 MM		8	914-2,0
29	021 105 591	crankshaft bearing 4 outer \$ 50 MM		1				- - - E N D - - -			
(29)	021 105 597	crankshaft bearing 4 outer \$ 50 MM undersize 0,25 mm		1							
(29)	021 105 603	crankshaft bearing 4 outer \$ 50 MM undersize 0,50 mm		1							
(29)	021 105 609	crankshaft bearing 4 outer \$ 50 MM undersize 0,75 MM		1							
30	021 105 701 A	connecting rod bearing shell		8	914-4/1,7 914-1,8V/1,8						
(30)	039 105 701	bearing shell		8	914-2,0						
(30)	021 105 707 A	connecting rod bearing shell undersize 0,25 mm		8	914-4/1,7 914-1,8V/1,8						
(30)	039 105 707	bearing shell undersize 0,25 mm		8	914-2,0						
(30)	021 105 713 A	connecting rod bearing shell undersize 0,50 mm		8	914-4/1,7 914-1,8V/1,8						
(30)	039 105 713	bearing shell undersize 0,50 mm		8	914-2,0						

Model	Year	MG	SG	Illustration	Restrictions	Update	11:07	23.08.2006	PORSCHE	PET	PORSCHE
914	76	1	12	112-05		203					



Pos	Part Number	Name	Remarks	Qty	Model
		cylinder with pistons			914
1	022 198 075	cylinder with pistons		4	914-4/1,7
1	021 198 075 D	cylinder with pistons		4	914-1,8V
1	022 198 075 A	cylinder with pistons		4	914-1,8
1	039 198 075	cylinder with pistons		4	914-2,0
2	021 198 175	set piston rings comprising: piston ring oil scraper ring oil scraper ring		4	914-4/1,7
2	021 198 175 A	set piston rings comprising: piston ring oil scraper ring oil scraper ring		4	914-1,8/1,8V
2	PCG 198 175	set piston rings comprising: piston ring oil scraper ring oil scraper ring		4	914-2,0
3	021 107 411 A	piston pin		4	914-4/1,7
3	022 107 411 A	piston pin	M AN0 000 001>> M GB0 007 402>>	4	914-1,8/1,8V 2,0
3	039 107 411	piston pin	M >>GB0 007 401	4	914-2,0
4	N 012 301 1	circlip		8	
		- - - E N D - - -			

Model	Year	MG	SG	Illustration	Restrictions	Update	11:07	23.08.2006	PORSCHE	PET	PORSCHE
914	76	1	13	113-00		203					



Pos	Part Number	Name	Remarks	Qty	Model
1	-	cylinder head			914
1	-	cylinder see group 1/12/05			
2	021 101 341 A	sealing ring 100 X 109 crankcase cylinder		4	
3	021 101 343	sealing ring 90 X 99 cylinder cylinder head		4	914-4/1,7
(3)	021 101 343 A	sealing ring 93 X 104 cylinder cylinder head		4	914-1,8V/1,8
(3)	021 101 343 B	spacer ring 90 X 99 X 1 cylinder cylinder head		X	914-4/1,7
(3)	021 101 343 E	spacer ring 93 X 104 X 1 cylinder cylinder head		X	914-1,8V/1,8
(3)	021 101 343 G	spacer ring 93 X 104 X 1,2 cylinder cylinder head		X	914-1,8V/1,8
(3)	039 101 343 B	sealing ring 94 X 105 cylinder cylinder head		4	914-2,0
(4)	021 101 353 B	cylinder head M >> W0 057 460		2	914-4
(4)	022 101 353 B	cylinder head M W0 057 461 >> M >> W0 129 581		2	914-4

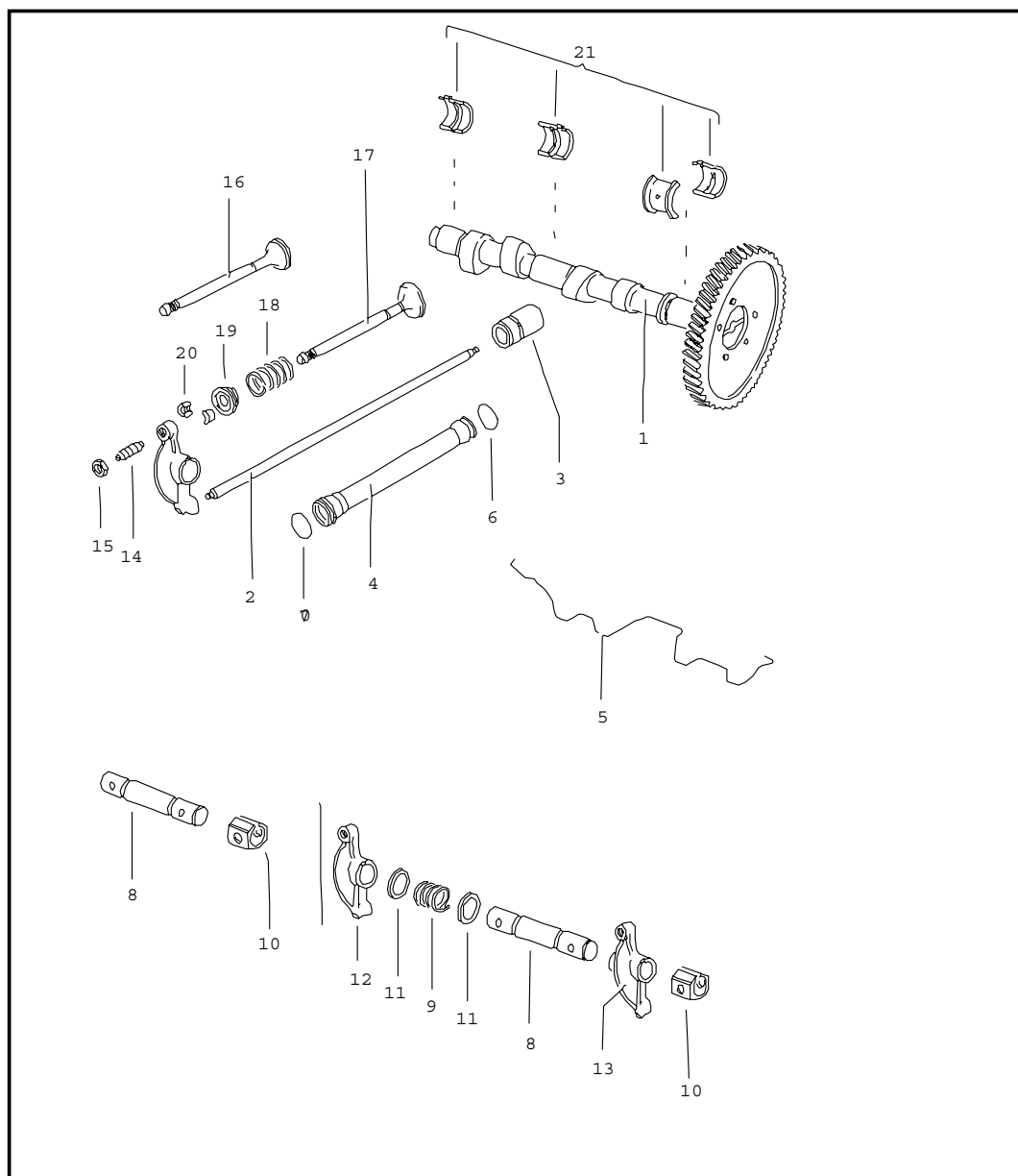
Model	Year	MG	SG	Illustration	Restrictions	Update	11:07	23.08.2006	PORSCHE	PET	PORSCHE
914	76	1	13	113-00		203					

Pos	Part Number	Name	Remarks	Qty	Model	Pos	Part Number	Name	Remarks	Qty	Model
-	022 101 061 CX	cylinder head exchange with valves D-JETRONIC M W0 002 545 >> W0 129 581 cam follower protective tube 31,7 MM 022.101.372 embedded		2	914-4	(8)	N 014 397 9	stud AM 8 X 56 for heat exchanger		8	914-2,0
						(8)	N 014 684 1	stud		8	914-1,8V/1,8
						(8)	N 014 684 1	stud CM 9 A X M8 X 56 heat exchanger		X	914-4/1,7 914-2,0
(4)	022 101 353 B	cylinder head M W0 129 582 >> M >> W0 250 000		2	914-4/1,7	9	039 256 297	mid-grip nut M 8 self-locking		8	
-	022 101 061 DX	cylinder head exchange with valves D-JETRONIC M W0 129 582 >> W0 217 365 cam follower protective tube 31,7 MM embedded		2	914-4/1,7	10	021 101 397	stud for rocker shaft		8	
(4)	021 101 351 S	cylinder head		2	914-1,8V	11	N 012 234 1	spring washer B 7		8	
(4)	039 101 351 E	cylinder head without valves		2	914-2,0	12	N 011 007 7	hexagon nut M 7		8	
(4)	039 101 061 HX	cylinder head exchange with valves M GB0 000 001>>		2	914-2,0	13	900 025 008 02	washer A 10,5		16	
5	N 014 400 3	stud AM 8 A X 35 for intake manifold		8	914-4/1,7/ 914-1,8V/2,0	14	021 101 457	hexagon nut M 10 for cylinder head		16	
6	N 012 241 11	spring washer B 8 X 15		8		15	021 101 403 A	valve guide intake 1st oversize M >>GB0 010 049 M >> W0 250 000 M AN0 000 001>>		4	914-2,0
7	N 011 008 8	hexagon nut M 8		8		(15)	021 101 417 A	valve guide exhaust 1st oversize		4	914-1,7/1,8V 914-1,8
8	N 014 427 7	stud AM 8 X 53 for heat exchanger		8	914-4/1,7	(15)	039 101 421	valve guide exhaust 1st oversize		4	914-2,0
						16	021 101 471	cylinder head cover		2	
						17	021 101 481	gasket		2	
						18	021 101 487	clamp		2	

Model	Year	MG	SG	Illustration	Restrictions	Update					
914	76	1	13	113-00		203	11:07	23.08.2006	PORSCHE	PET	PORSCHE

Pos	Part Number	Name	Remarks	Qty	Model	Pos	Part Number	Name	Remarks	Qty	Model
-	311 906 041 A	temperature sensor		1	914-2,0						
		- - - E N D - - -									

Model	Year	MG	SG	Illustration	Restrictions	Update	11:07	23.08.2006	PORSCHE	PET	PORSCHE
914	76	1	13	113-05		203					



Pos	Part Number	Name	Remarks	Qty	Model
		camshaft valves			914
(1)	021 109 015 M	camshaft with wheel - 3		1	
(1)	021 109 017 M	camshaft with wheel - 2		1	
(1)	021 109 019 M	camshaft with wheel - 1		1	
(1)	021 109 021 M	camshaft with wheel		1	
(1)	021 109 023 M	camshaft with wheel + 1		1	
(1)	021 109 025 M	camshaft with wheel + 2		1	
(1)	021 109 027 M	camshaft with wheel + 3		1	
2	021 109 301 A	valve pushrod		8	
3	021 109 309 G	cam follower		8	
(4)	021 109 335 A	protective tube for valve pushrod M >> W0 057 460		8	914-4
4	021 109 335 C	protective tube for valve pushrod M W0 057 461 >> M >> W0 250 000 M >>GB0 007 401		8	914-4/1,7 914-2,0
(4)	021 109 335 C	protective tube for valve pushrod M GB0 007 402>> M AN0 000 001>>		8	914-1,8V/1,8 914-2,0

Model	Year	MG	SG	Illustration	Restrictions	Update	11:07	23.08.2006	PORSCHE	PET	PORSCHE
914	76	1	13	113-05		203					

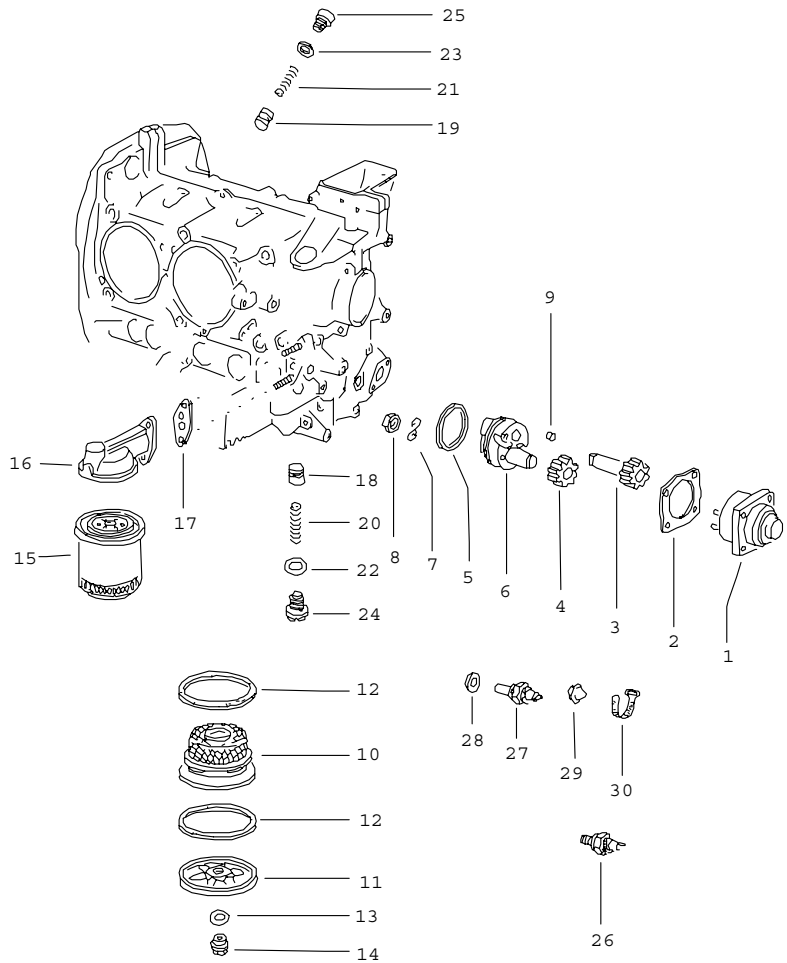
Pos	Part Number	Name	Remarks	Qty	Model	Pos	Part Number	Name	Remarks	Qty	Model
5	021 109 339	securing clip for protective tube		2		(13)	022 109 463	rocker arm exhaust M W0 212 902 >> M >> W0 250 000 K		4	914-1,7/1,8V 914-1,8/2,0
6	021 109 345 A	sealing ring \$ 21,3 MM for protective tube black		8				M GB0 006 395>> M AN0 000 001>> up to engine number M >>GB0 006 394			
(7)	021 109 349	sealing ring \$ 23,5 MM for protective tube red M >> W0 057 460		8	914-4	14	043 109 451	adjusting screw valve M >> W0 212 901		8	914-4/1,7
7	021 109 349 B	sealing ring \$ 25,1 MM for protective tube green M AN0 000 001>> M W0 057 461 >> M GB0 000 001>> M >> W0 250 000		8		(14)	022 109 451	adjusting screw valve M W0 212 902 >> M >> W0 250 000 K M GB0 006 395>> M AN0 000 001>> up to engine number M >>GB0 006 394		8	914-1,7/1,8V 914-1,8/2,0
8	021 109 407 A	rocker shaft		4		(14)	039 109 451	adjusting screw valve		8	914-2,0
9	021 109 415 A	spring for rocker shaft		4		(15)	900 078 011 00	nut M 8 X 1 M >> W0 212 901		8	914-4/1,7 914-2,0
10	021 109 427	bearing shell for rocker shaft		8		15	028 109 453	hexagon nut M 10 X 1 M >> W0 250 000 M W0 212 902 >> M GB0 006 395>> K M AN0 000 001>> up to engine number M >>GB0 006 394		8	914-1,7/1,8V 914-1,8/2,0
11	021 109 435	deleted		X							
12	022 109 443	rocker arm intake M >> W0 212 901		4	914-4/1,7 914-2,0	16	021 109 601	intake valve \$ 39,3 MM		4	914-4/1,7
(12)	022 109 443	rocker arm intake M W0 212 902 >> M >> W0 250 000 K M GB0 006 395>> M AN0 000 001>> up to engine number M >>GB0 006 394		4	914-1,7/1,8V 914-1,8/2,0	(16)	022 109 601	intake valve \$ 41 MM		4	914-1,8V/1,8
						(16)	039 109 601 G	intake valve \$ 42 MM M >>GB0 007 029 M GB0 007 030>>		4	914-2,0
13	022 109 463	rocker arm exhaust M >> W0 212 901		4	914-4/1,7 914,20	17	022 109 612 D	exhaust valve \$ 33 MM		4	914-4/1,7
						(17)	022 109 612 A	exhaust valve \$ 34 MM		4	914-1,8V/1,8

Model	Year	MG	SG	Illustration	Restrictions	Update	11:07	23.08.2006	PORSCHE	PET	PORSCHE
914	76	1	13	113-05		203					

Pos	Part Number	Name	Remarks	Qty	Model	Pos	Part Number	Name	Remarks	Qty	Model
(17)	039 109 611 L	exhaust valve \$ 36 MM		4	914-2,0						
18	021 109 623 E	valve spring		8							
19	021 109 641 B	concave washer		8							
20	113 109 651 A	valve collet		16							
21	021 198 541	camshaft bearing 1 set		1							
		- - - E N D - - -									

Model	Year	MG	SG	Illustration	Restrictions	Update	11:08	23.08.2006	PORSCHE	PET	PORSCHE
914	76	1	14	114-00		203					

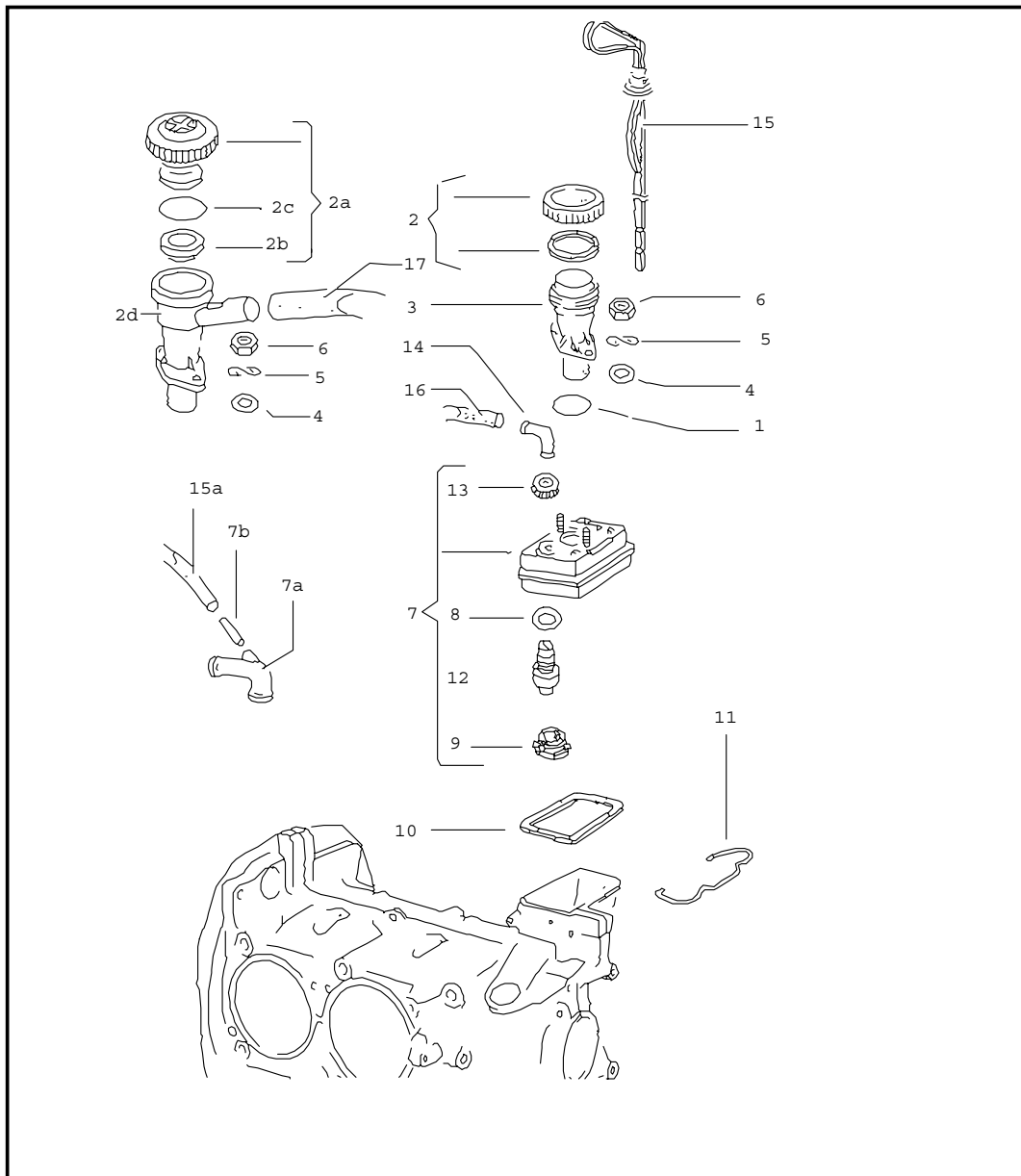
Pos	Part Number	Name	Remarks	Qty	Model
		engine lubrication oil pump oil filter oil strainer			914
1	021 115 107 A	housing oil pump		1	
2	025 115 111 A	gasket		1	
3	021 115 115 A	drive shaft		1	
4	021 115 123	oil pump gear		1	
5	021 115 133	sealing ring		1	
6	021 115 139 A	cover		1	
7	N 012 226 5	spring washer B 6		4	
8	113 101 175	hexagon nut M 6 self-locking		4	
9	021 115 167	dowel sleeve		1	
10	021 115 175	oil strainer		1	
11	021 115 181	cover		1	
12	021 198 031 B	gasket		2	
13	N 013 805 1	sealing ring C 12 X 18		1	
14	021 115 193 B	cap nut M 8		1	914-4/1,7
14	021 115 193 B	cap nut M 8		1	914-1,8V/1,8 914-2,0
15	021 115 351 A	oil filter		1	
16	021 115 353 A	intermediate flange		1	
17	021 115 359 A	gasket		1	
18	311 115 411	piston for relief valve		1	
19	021 115 411	piston for relief valve M >>AN0 008 814 M >>GB0 010 049 M >> W0 250 000		1	



Model	Year	MG	SG	Illustration	Restrictions	Update	11:08	23.08.2006	PORSCHE	PET	PORSCHE
914	76	1	14	114-00		203					

Pos	Part Number	Name	Remarks	Qty	Model	Pos	Part Number	Name	Remarks	Qty	Model
20	021 115 421 B	spring for relief valve		1							
21	021 115 421 A	spring for relief valve M >>ANO 008 814 M >>GB0 010 049 M >> W0 250 000		1							
22	N 013 829 3	sealing ring C 22 X 29		1							
23	N 013 845 2	sealing ring C 16 X 22 M >>ANO 008 814 M >>GB0 010 049 M >> W0 250 000		1							
24	021 115 431	screw plug M 22 X 1,5		1							
25	PCG 115 431 A	screw plug M 16 X 1,5 M >>ANO 008 814 M >>GB0 010 049 M >> W0 250 000		1							
26	021 919 081 B	oil pressure switch		1							
27	039 919 268	sender M W0 170 001 >> M GB0 000 001>> M >> W0 250 000		1	914-1,7/1,8V 914-1,8/2,0						
28	900 123 007 30	sealing ring A 14 X 18 X 1,5		1	914-1,7/1,8V 914-1,8/2,0						
29	311 949 149 A	grommet for wiring harness		1	914-1,7/1,8V 914-1,8/2,0						
30	N 020 902 1	tie-wrap 6,5 X 210		1	914-1,7/1,8V 914-1,8/2,0						
		- - - E N D - - -									

Model	Year	MG	SG	Illustration	Restrictions	Update	11:08	23.08.2006	PORSCHE	PET	PORSCHE
914	76	1	14	114-05		203					

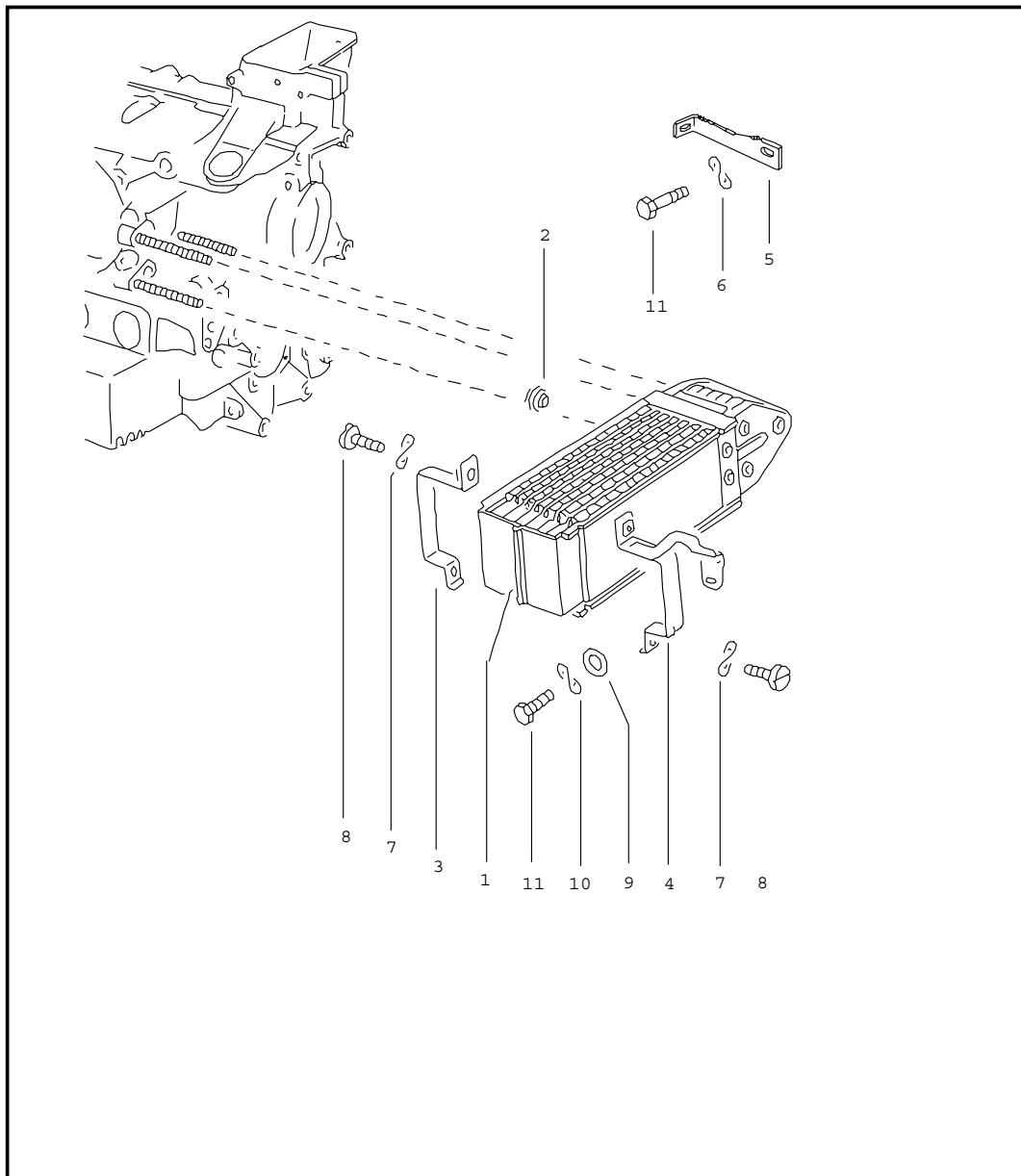


Pos	Part Number	Name	Remarks	Qty	Model
		engine lubrication filler neck bleeding			914
1	021 115 137	sealing ring		1	
2	PCG 115 311 00	oil filler cover		1	914-4/1,7 914-1,8V/2,0
3	021 115 317 A	oil inlet		1	914-4/1,7 914-1,8V/2,0
4	111 605 289 A	washer		2	914-4/1,7 914-1,8V/2,0
5	N 012 226 5	spring washer B 6		2	
6	900 076 010 02	hexagon nut M 6		2	
7	021 115 451 B	bleeding M	>> W0 129 581	1	914-4/1,8
(7)	022 115 451 B	bleeder M	>> W0 250 000	1	914-4/1,7 914-2,0
(7)	022 115 451 C	bleeding M ANO 000 001>>		1	914-1,8V/2,0
7A	021 115 469 A	elbow		1	914-1,8V
7B	021 115 472	connecting tube		1	914-1,8V
8	022 115 475	sealing ring		1	914-4/1,7 914-2,0
		M W0 129 582 >> M GB0 000 001>> M >> W0 250 000			
9	022 115 486	plug		1	914-4/1,7 914-2,0
		M W0 129 582 >> M GB0 000 001>> M >> W0 250 000			
10	021 115 487	gasket for oil filter		1	
11	021 115 489	clamp for bleeding		1	

Model	Year	MG	SG	Illustration	Restrictions	Update	11:08	23.08.2006	PORSCHE	PET	PORSCHE
914	76	1	14	114-05		203					

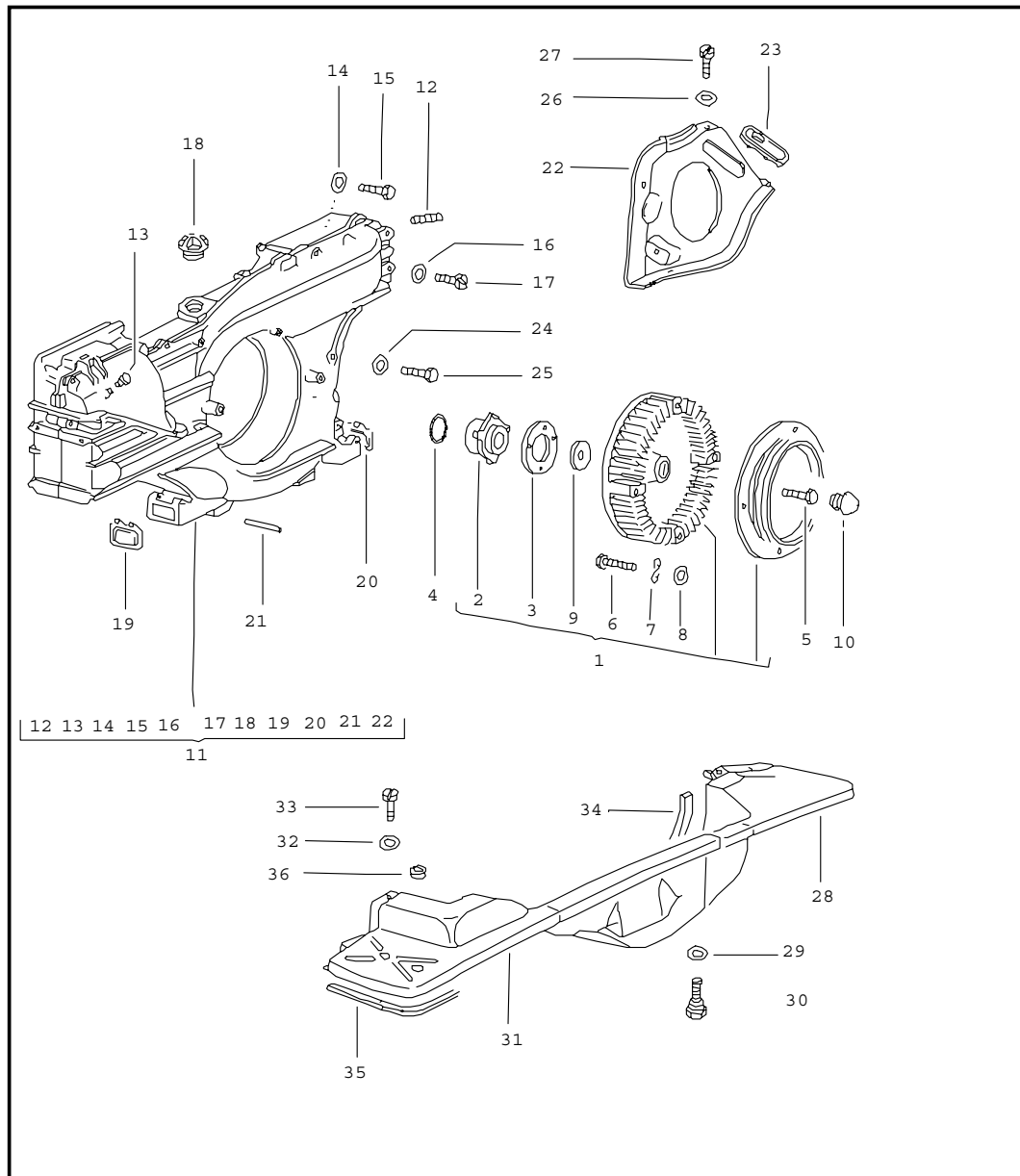
Pos	Part Number	Name	Remarks	Qty	Model	Pos	Part Number	Name	Remarks	Qty	Model
12	022 115 542	plate valve for bleeding M W0 129 582 >> M GB0 000 001>> M >> W0 250 000		1	914-4/1,7 914-2,0						
13	022 115 544	knurled nut M W0 129 582 >> M GB0 000 001>> M >> W0 250 000		1	914-4/1,7 914-2,0						
14	022 129 637	elbow M W0 129 582 >> M GB0 000 001>> M >> W0 250 000		1	914-4/1,7 914-2,0						
15	022 115 611	oil level dipstick yellow chrome		1							
15A	N 020 353 5	hose 3,5 X 2		*							
16	N 020 290 1	hose 12 X 3,3		1	914-1,8V						
(16)	N 020 343 1	hose 18 X 2,5		X	914-4/1,7 914-2,0						
-	022 129 260	hose clamp		1	914-4/1,7 914-2,0						
		- - - E N D - - -									

Model	Year	MG	SG	Illustration	Restrictions	Update	11:08	23.08.2006	PORSCHE	PET	PORSCHE
914	76	1	14	114-10		203					



Pos	Part Number	Name	Remarks	Qty	Model
		engine lubrication oil cooler			914
1	021 117 021 B	oil cooler		1	
2	021 117 151 A	sealing ring for oil cooler		2	
2A	N 011 524 7	washer A 6,4		3	
2B	N 012 226 5	spring washer B 6		3	
2C	900 076 010 02	hexagon nut M 6		3	
3	021 117 171 A	clip for oil cooler		1	
4	021 117 181	bracket for oil cooler		1	
5	039 117 187	support for oil cooler		1	914-2,0
6	N 012 229 3	spring washer A 8		1	914-2,0
7	N 012 226 5	spring washer B 6		2	
8	N 010 715 2	pan-head screw AM 6 X 15		2	
9	900 025 007 02	washer A 8,4		1	
10	N 012 228 3	spring washer B 8		1	
11	900 075 085 02	hexagon-head bolt M 8 X 20		1	
		- - - E N D - - -			

Model	Year	MG	SG	Illustration	Restrictions	Update	11:08	23.08.2006	PORSCHE	PET	PORSCHE
914	76	1	15	115-00		203					

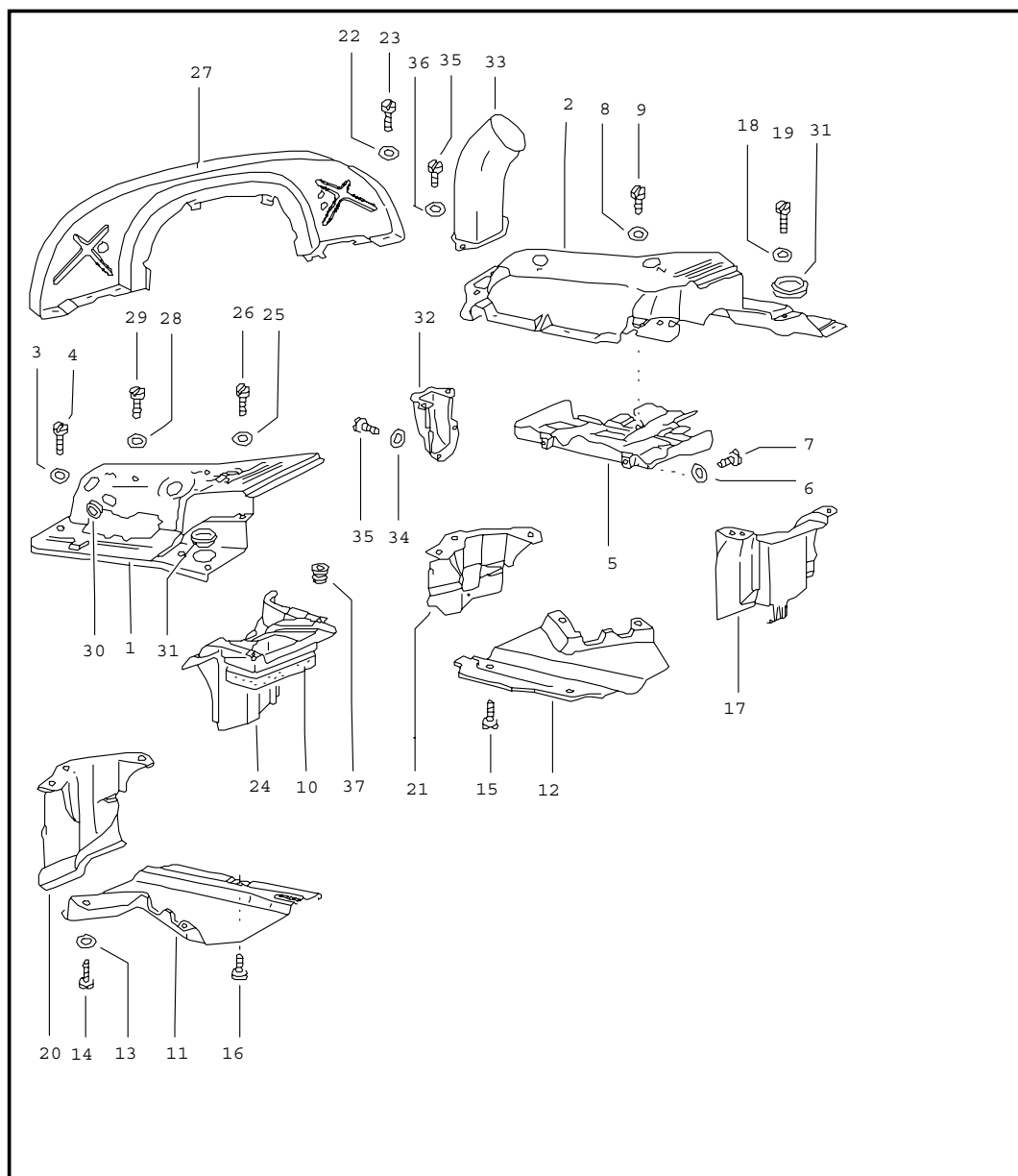


Pos	Part Number	Name	Remarks	Qty	Model
		air cooling			914
1	022 119 031	impeller with pulley and hub M	>> W0 170 000	1	914-4/1,7
(1)	021 119 031 AD	impeller with pulley and hub M GB0 000 001>> M ANO 000 001>> M W0 170 001 >> M	>> W0 250 000	1	
2	021 119 119	hub		1	
3	021 119 121	spacer		1	
4	021 119 125 A	sealing ring		1	
5	N 014 326 1	hexagon-head bolt M 8 X 30 self-locking		1	
(6)	021 119 127	pan-head screw M 8 X 39 M	>> W0 170 000	3	914-4/1,7
6	N 010 246 4	hexagon-head bolt M 8 X 45 M	>> W0 250 000	3	914-1,7/1,8V 914-1,8/2,0
7	N 012 241 11	spring washer B 8 X 15		3	
8	900 031 001 02	washer 8,4 M	>> W0 170 000	3	914-4/1,7 914-1,8V/2,0
9	021 119 131	washer		1	
10	021 119 149	cap		1	914-4/1,7
(11)	022 119 199 A	fan housing M	>> W0 129 581	1	914-4
11	021 119 199 D	fan housing M	>>GB0 009 821 >>ANO 008 797 >> W0 250 000	1	914-1,7/1,8V 914-1,8/2,0

Model	Year	MG	SG	Illustration	Restrictions	Update	11:08	23.08.2006	PORSCHE	PET	PORSCHE
914	76	1	15	115-00		203					

Pos	Part Number	Name	Remarks	Qty	Model	Pos	Part Number	Name	Remarks	Qty	Model
(11)	021 119 199 D	fan housing M GB0 009 822>> M AN0 008 798>>		1	914-1,8V/1,8 914-2,0	23	021 119 295	cover		1	
12	N 014 532 3	stud AM 8 A X 32		1		24	N 012 226 5	spring washer B 6		1	
13	311 405 381	plug		2		25	N 010 346 5	hexagon-head bolt BM 6 X 30		1	
14	N 012 241 11	spring washer B 8 X 15		3		26	N 011 652 1	washer 7		1	
15	N 010 244 11	hexagon-head bolt M 8 X 30		3		27	N 014 139 5	pan-head screw AM 6 X 12		1	
16	N 012 226 5	spring washer B 6		8		28	022 119 512	cover plate for engine	/V/L	1	
17	N 010 719 2	pan-head screw AM 6 X 20		8		29	N 011 652 1	washer 7		1	
18	021 119 233 A	cover		1		30	999 072 005 09	hexagon-head bolt M 6 X 12		1	
-	021 119 249 E	marked for adjustment ignition point		1	914-2,0	31	022 119 521 A	cover plate for engine	/V/R	1	
19	021 119 263 A	flap	/R	1		32	N 011 652 1	washer 7		7	
20	021 119 264 A	flap	/L	1		33	N 014 139 5	pan-head screw AM 6 X 12		7	
-	021 119 270	axle		X		34	021 119 543 A	gasket front engine cover 650 MM		2	
21	-	62,55 MM	/R	2		35	411 813 215 A	protective rubber		1	
(21)	-	56 MM	/L	2		36	021 119 569 A	rubber sleeve		2	914-1,8V/1,8 914-2,0
(22)	021 119 281 D	cover plate for generator M >> W0 129 581		1	914-4						
22	021 119 281 D	cover plate for generator M W0 129 582 >> M >>GB0 009 821 M >>AN0 008 797 M >> W0 250 000		1	914-1,7/1,8V 914-1,8/2,0			- - - E N D - - -			
(22)	022 119 281	cover plate for generator M GB0 009 822>> M AN0 008 798>>		1	914-1,8V/1,8 914-2,0						

Model	Year	MG	SG	Illustration	Restrictions	Update	11:09	23.08.2006	PORSCHE	PET	PORSCHE
914	76	1	15	115-05		203					



Pos	Part Number	Name	Remarks	Qty	Model
		engine cover air duct			914
1	022 119 299 A	cover plate for cylinder	/R	1	914-4/1,7 914-1,8V/1,8
(1)	039 119 299 A	cover plate for cylinder	/R	1	914-2,0
-	039 119 991	cap for cover plate	/R	1	914-2,0
(2)	039 119 300 C	cover plate for cylinder M M W0 170 001 M M W0 250 000	/L	1	914-4/1,7
2	022 119 300 D	cover plate for cylinder M AN0 000 001>> M W0 129 582 >> M >> W0 170 000	/L	1	914-4/1,7 914-1,8V
(2)	039 119 300	cover plate for cylinder M GB0 000 001>> use also: M GB0 009 822>> 039.119.991 cap	/L	1	914-2,0
-	021 119 337	grommet for cover plate		1	
3	N 011 652 1	washer 7		8	
4	N 010 710 8	pan-head screw AM 6 X 10		8	
(5)	021 119 319 A	baffle plate	/R	1	
5	021 119 320 A	baffle plate	/L	1	
6	N 011 652 1	washer		4	
7	N 010 710 8	pan-head screw AM 6 X 10		4	

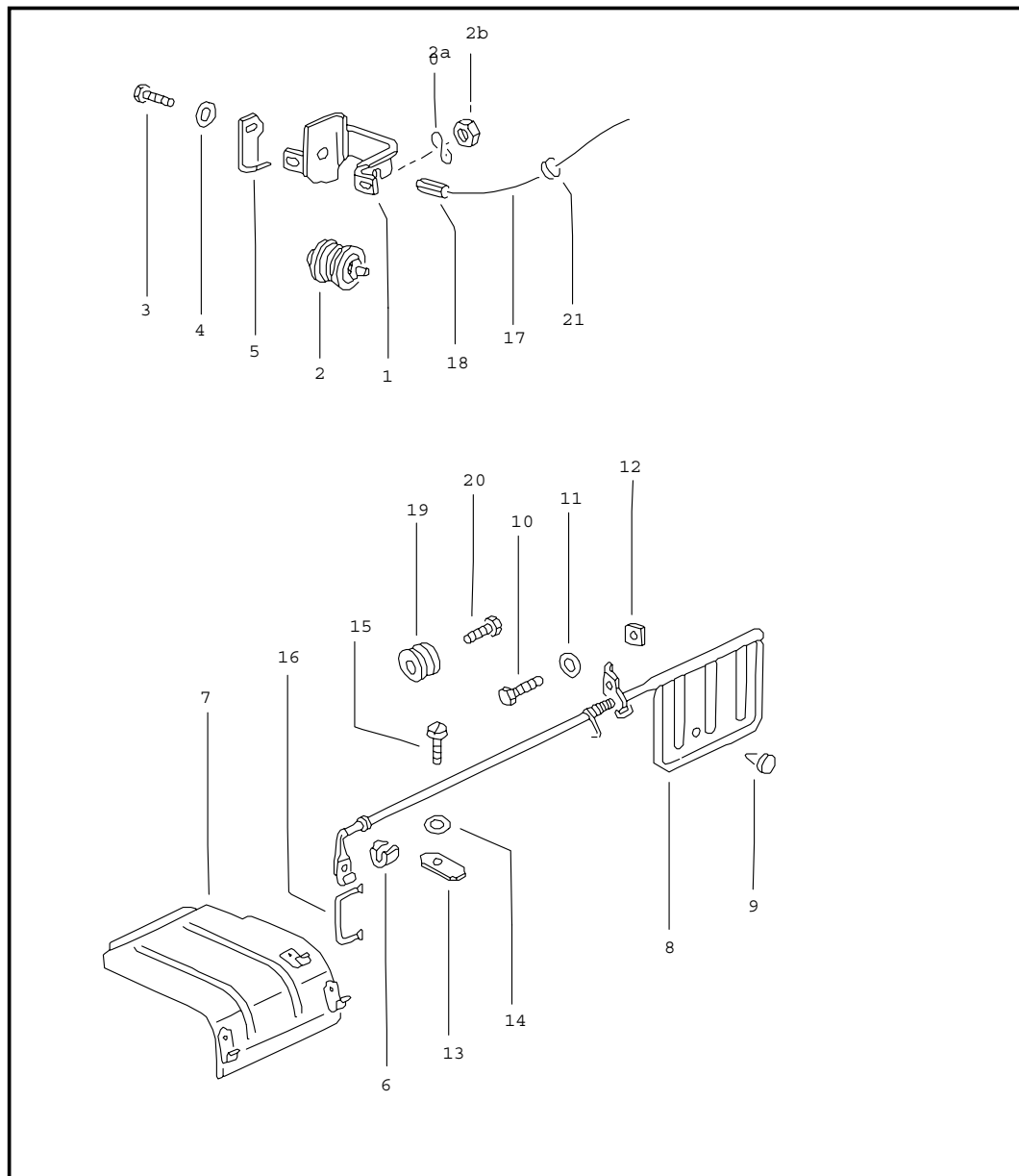
Model	Year	MG	SG	Illustration	Restrictions	Update	11:09	23.08.2006	PORSCHE	PET	PORSCHE
914	76	1	15	115-05		203					

Pos	Part Number	Name	Remarks	Qty	Model	Pos	Part Number	Name	Remarks	Qty	Model
8	900 025 003 02	washer A 5,3		2		21	022 119 362	air duct	/H/L	1	914-4/1,7 914-1,8
9	N 010 704 2	pan-head screw AM 5 X 10		2				M W0 170 001 >> M >> W0 129 581 M >> W0 250 000			
10	021 119 329	gasket for oil cooler		1		(21)	022 119 362 A	air duct	/H/L	1	914-4/1,7 914-1,8V
(11)	039 119 353	air duct floor	/L	1	914-1,8/2,0	(21)	039 119 362	air duct	/H/L	1	914-2,0
11	022 119 355	air duct floor M AN0 000 001>> M GB0 000 001>> M >> W0 250 000	/R	1		22	N 011 652 1	washer 7		4	
12	022 119 356 A	air duct floor M >> W0 170 000	/L	1	914-4	23	N 014 139 5	pan-head screw AM 6 X 12		4	
(12)	022 119 356 B	air duct floor M GB0 000 001>> M W0 170 001 >> M AN0 000 001>> M >> W0 250 000	/L	1	914-1,7/1,8V 914-1,8/2,0	24	021 119 367	air duct	/V/R	1	
-	311 971 913	grommet for air duct		2	914-1,8V	25	N 011 652 1	washer 7		4	
13	N 011 652 1	washer 7		8		26	N 014 139 5	pan-head screw AM 6 X 12		4	
14	N 014 139 5	pan-head screw AM 6 X 12		5		27	022 119 517 R	engine cover	/H	1	914-4/1,7 914-1,8V/2,0
15	N 010 715 2	pan-head screw AM 6 X 15		2				M W0 170 001 >> M AN0 000 001>> M >> W0 129 581 M >>GB0 007 401 M >> W0 250 000			
16	N 010 710 8	pan-head screw AM 6 X 10		2		(27)	022 119 517 R	engine cover	/H	1	914-4/1,7
17	021 119 358	air duct	/V/L	1				use also: 411 813 215 A			
18	N 011 652 1	washer 7		3		(27)	022 119 517 R	engine cover		1	914-1,8V/1,8 914-2,0
19	N 014 139 5	pan-head screw AM 6 X 12		3				M GB0 007 402>> M AN0 000 001>>			
20	022 119 361	air duct	/H/R	1		28	N 011 652 1	washer 7		2	
						29	N 014 139 5	pan-head screw AM 6 X 12		2	

Model	Year	MG	SG	Illustration	Restrictions	Update	11:09	23.08.2006	PORSCHE	PET	PORSCHE
914	76	1	15	115-05		203					

Pos	Part Number	Name	Remarks	Qty	Model	Pos	Part Number	Name	Remarks	Qty	Model
30	021 119 553	grommet for cover plate cylinder right		1							
31	021 119 627 B	grommet for cover plate cylinder left and right		2							
(31)	022 119 627	grommet for adapter		1	914-1,8V						
32	022 119 629	baffle plate M W0 129 582 >> M >> W0 170 000		1	914-4						
33	022 119 639	intake manifold M W0 129 582 >> M >> W0 170 000		1	914-4						
-	022 119 639 A	adapter		1	914-1,8V						
34	N 011 652 1	washer 7		2	914-4						
35	N 010 715 2	pan-head screw AM 6 X 15		4	914-4						
35	N 010 715 2	pan-head screw AM 6 X 15		2	914-1,8						
36	N 012 226 5	spring washer B 6		2	914-4/1,8V						
37	021 119 957	protection cap for oil pressure switch		1							
		- - - E N D - - -									

Model	Year	MG	SG	Illustration	Restrictions	Update	11:09	23.08.2006	PORSCHE	PET	PORSCHE
914	76	1	15	115-10		203					

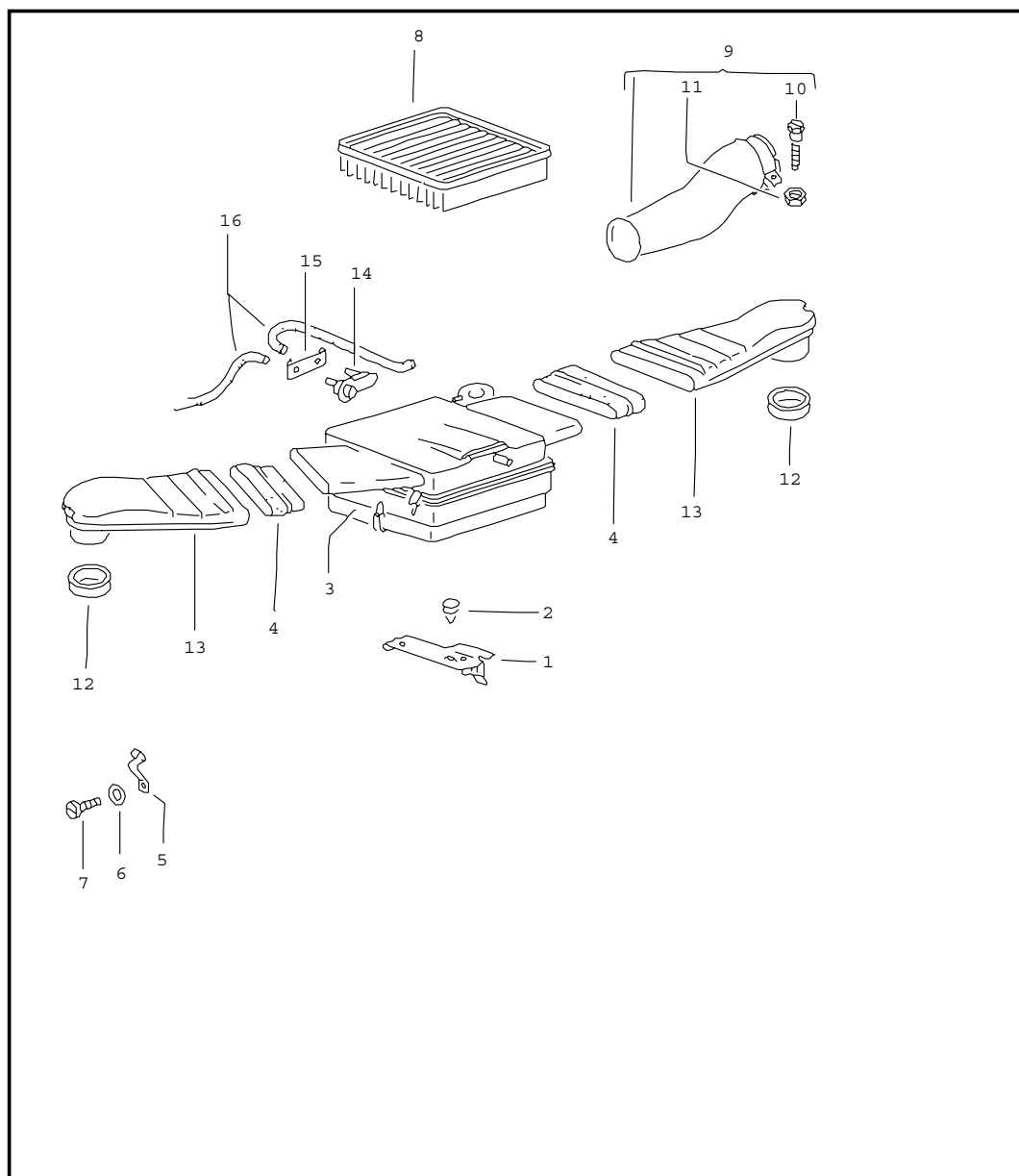


Pos	Part Number	Name	Remarks	Qty	Model
		cooling air control			914
1	022 119 155	support for thermostat		1	
2	021 119 159 A	thermostat		1	
2A	N 012 226 5	spring washer B 6		2	
2B	900 076 010 02	hexagon nut M 6		2	
3	900 075 078 02	hexagon-head bolt M 8 X 15		1	
4	N 011 654 2	washer 9,5		1	
5	022 119 175	retaining bracket for heating air supply lower		1	
6	021 119 187	bearing shell		2	
7	021 119 309	air flap cooling air duct	/R	1	
8	021 119 711	air flap	/L	1	
9	N 020 022 3	plug A 8 X 1		1	
10	900 075 116 02	hexagon-head bolt M 4 X 8		1	
11	900 025 002 02	washer A 4,3		1	
12	021 119 725	square nut M 4		1	
13	021 119 729 A	retainer spring		2	
14	N 012 226 5	spring washer B 6		2	
15	N 010 710 8	pan-head screw AM 6 X 10		2	
16	021 119 745	clip		1	
17	021 119 751	traction		1	
18	070 119 765	union nut M 7 X 0,75		1	

Model	Year	MG	SG	Illustration	Restrictions	Update	11:09	23.08.2006	PORSCHE	PET	PORSCHE
914	76	1	15	115-10		203					

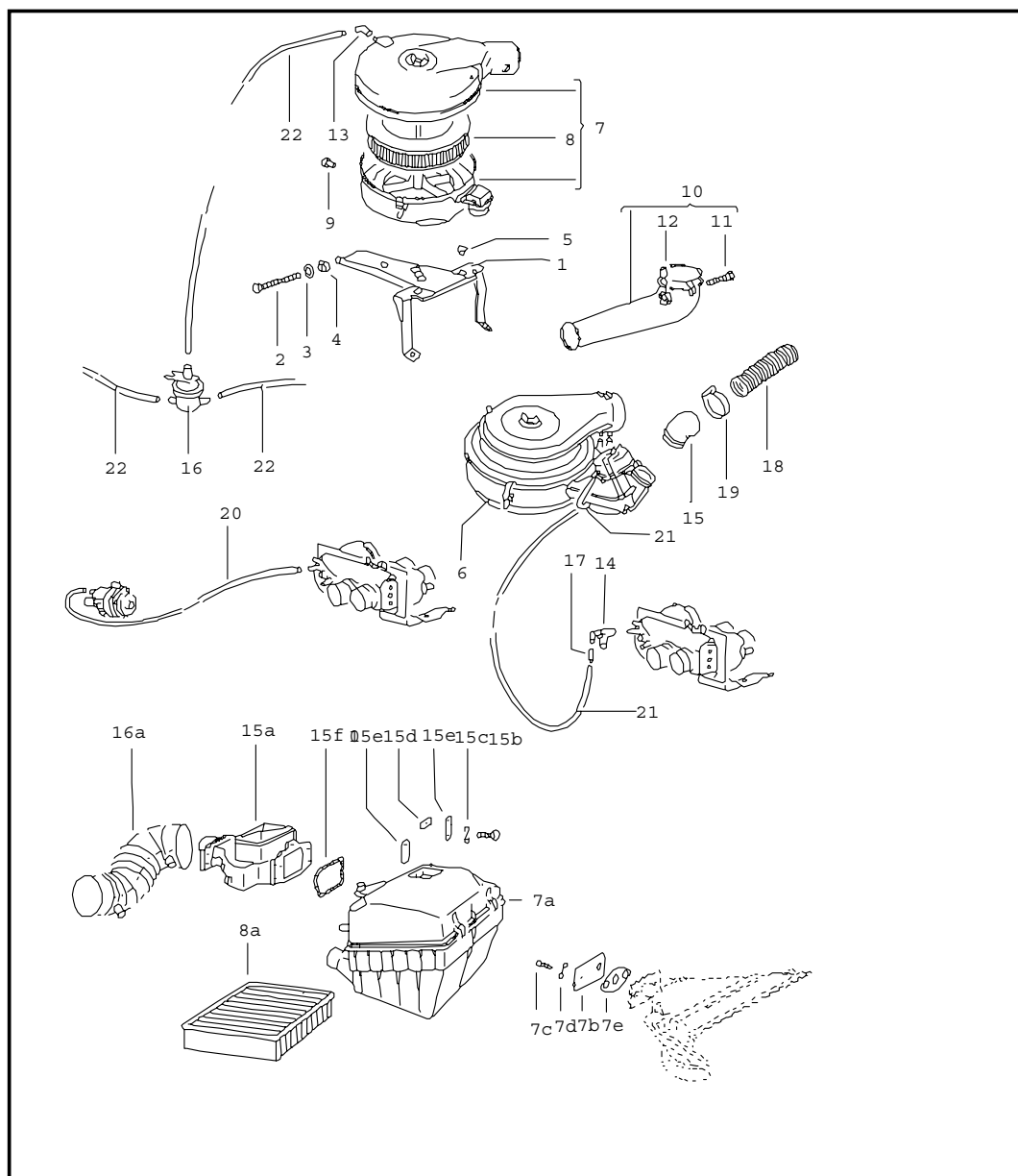
Pos	Part Number	Name	Remarks	Qty	Model	Pos	Part Number	Name	Remarks	Qty	Model
-	N 011 533 2	washer A 7,4		1							
19	021 119 769 A	roller		1							
20	271 821 767	hexagon-head bolt M 6		1							
21	021 119 955	sealing washer		1							
		- - - E N D - - -									

Model	Year	MG	SG	Illustration	Restrictions	Update	11:09	23.08.2006	PORSCHE	PET	PORSCHE
914	76	1	16	116-00		203					



Pos	Part Number	Name	Remarks	Qty	Model
		air cleaner			914-1,8V
1	021 129 545 C	bracket for air cleaner		2	
-	N 011 652 1	washer 7		2	
-	N 014 139 5	pan-head screw AM 6 X 12		2	
2	N 020 022 3	plug A 8 X 1		4	
3	021 129 607 M	air cleaner		1	
4	021 129 619 B	rubber sleeve		2	
(5)	021 129 693	tensioning spring		2	
6	N 012 226 5	spring washer B 6		2	
7	N 010 713 1	pan-head screw AM 6 X 8		2	
8	021 129 620	air cleaner cartridge		1	
9	021 129 623	intake manifold		1	
10	111 129 635	hexagon-head bolt		1	
11	900 076 010 02	hexagon nut M 6		1	
12	021 129 625 B	sealing ring		2	
13	021 129 631 A	end piece		2	
14	113 129 828 A	thermostat		1	
15	113 129 830	tab washer		1	
16	N 020 361 2	hose 4 X 2,5		*	
- - - E N D - - -					

Model	Year	MG	SG	Illustration	Restrictions	Update	11:09	23.08.2006	PORSCHE	PET	PORSCHE
914	76	1	16	116-05		203					

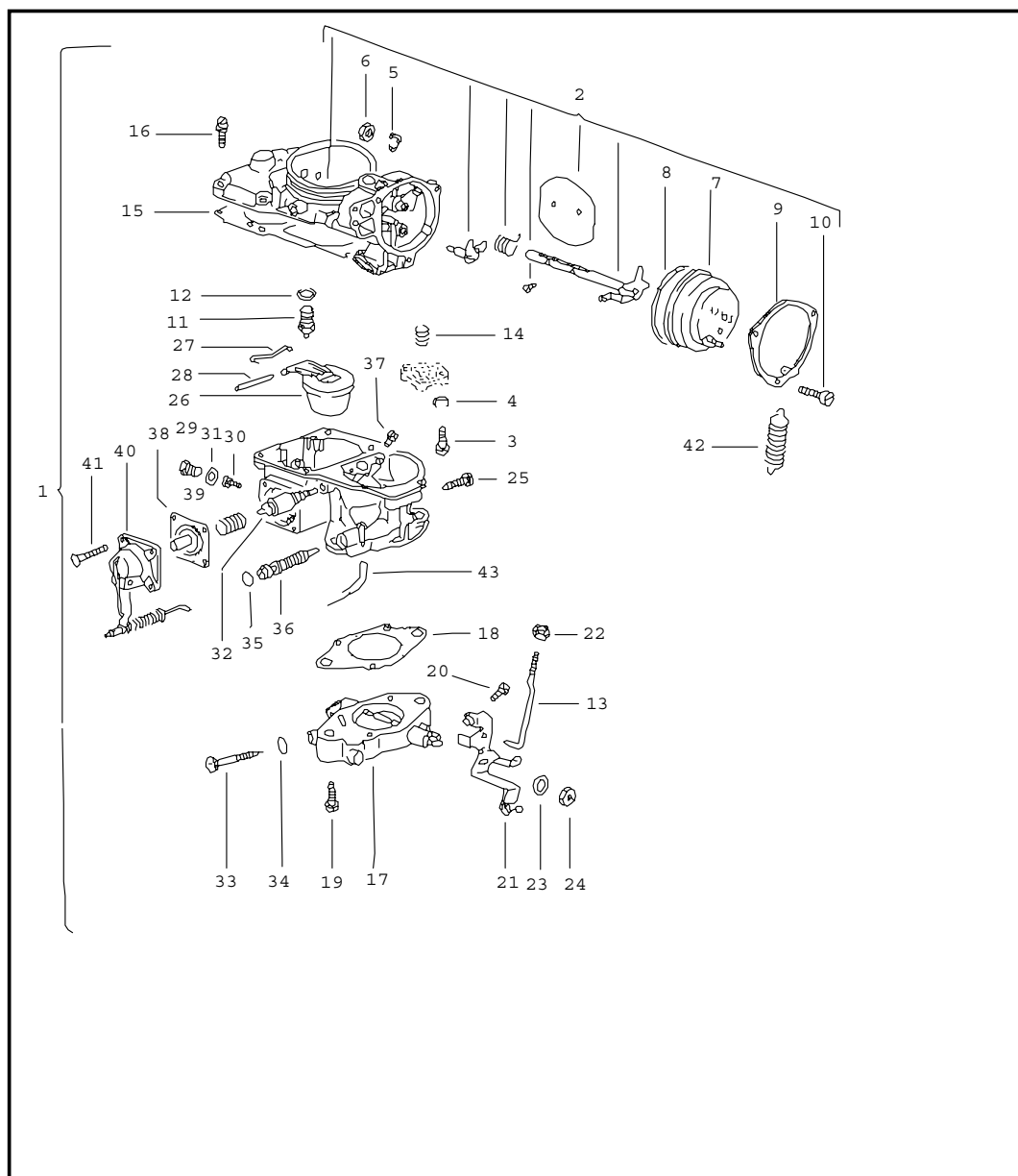


Pos	Part Number	Name	Remarks	Qty	Model
		air cleaner			914-4/1,7 914-1,8/2,0
1	022 129 541 A	bracket		1	914-4/1,7
(1)	039 129 541 A	bracket		1	914-2,0
2	N 010 351 2	hexagon-head bolt M 8 X 52		1	914-4/1,7
(2)	900 075 083 02	hexagon-head bolt M 8 X 25		1	914-2,0
3	900 025 007 02	washer B 8,4		1	914-4/1,7
(3)	N 012 228 3	spring washer B 8		1	914-2,0
4	N 011 118 14	hexagon nut BM 8		1	914-4/1,7
5	N 020 022 3	plug A 8 X 1		5	914-4/1,7 914-1,8/2,0
5	N 020 022 3	plug A 8 X 1		4	914-1,8/2,0
(6)	022 129 607	air cleaner M	>> W0 129 581	1	914-4
(6)	022 129 607 C	air cleaner carbon canister M	>> W0 129 581	1	914-4
6	022 129 607 E	air cleaner M W0 129 582 >> M >> W0 170 000		1	914-4
7	022 129 607 H	air cleaner M W0 170 001 >>		1	914-1,7
(7)	039 129 607 A	air cleaner		1	914-2,0
(7A)	039 129 607 H	air cleaner flange gasket		1	914-2,0
7B	039 131 594	flange		1	914-2,0
7C	N 010 216 7	hexagon-head bolt M 6 X 18		2	914-2,0
7D	N 012 226 5	spring washer B 6		2	914-2,0
7E	021 131 599 A	gasket		1	914-2,0

Model	Year	MG	SG	Illustration	Restrictions	Update	11:09	23.08.2006	PORSCHE	PET	PORSCHE
914	76	1	16	116-05		203					

Pos	Part Number	Name	Remarks	Qty	Model	Pos	Part Number	Name	Remarks	Qty	Model
8	022 129 620	filter element M W0 170 001 >>		1	914-1,7	18	411 819 365 A	breather hose suction hose 320 MM M W0 129 582 >> M >> W0 170 000		1	914-4
8A	039 129 620 A	filter element		1	914-1,8/2,0						
9	021 129 757 A	plug M W0 170 001 >>		1	914-1,7	19	111 501 159 B	hose clamp \$ 44 - 64 MM M W0 129 582 >> M >> W0 170 000		2	914-4
(10)	022 129 623 A	intake manifold M >> W0 129 581		1	914-4						
10	022 129 623 B	intake manifold M W0 129 582 >> M >> W0 250 000		1	914-4/1,7	20	N 020 281 1	hose 7 X 2,5		*	914-4/1,7 914-2,0
11	111 129 635	hexagon-head bolt		1	914-4/1,7 914-2,0	21	N 020 361 2	hose 4 X 2,5		*	914-4/1,7 914-2,0
12	900 076 010 02	hexagon nut M 6		1	914-4/1,7 914-2,0	22	N 020 290 1	hose 12 X 3,3		*	914-4/1,7 914-1,8/2,0
13	022 129 637	elbow connecting hose		2	914-4/1,7 914-2,0	-	N 020 343 1	hose 18 X 2,5 retainer bleeder air cleaner		*	914-2,0
14	022 129 637 B	branch piece air distributor M W0 129 582 >> M >> W0 170 000		1	914-4						
15	022 129 647	connection piece air cleaner M >> W0 170 000 M W0 129 582 >>		1	914-4						
-	039 129 681	support air cleaner		1	914-2,0						
-	039 129 688	bush		1	914-2,0						
-	039 129 691	connecting hose 40 MM		2	914-2,0						
16	022 129 961	branch piece M W0 129 582 >> M >> W0 250 000		1	914-4/1,7 914-2,0						
17	022 133 085	pipe M W0 129 582 >> M >> W0 250 000		2	914-4						
17	022 133 085	pipe M W0 129 582 >> M >> W0 250 000		1	914-1,7						
- - - E N D - - -											

Model	Year	MG	SG	Illustration	Restrictions	Update	11:09	23.08.2006	PORSCHE	PET	PORSCHE
914	76	1	17	117-00		203					

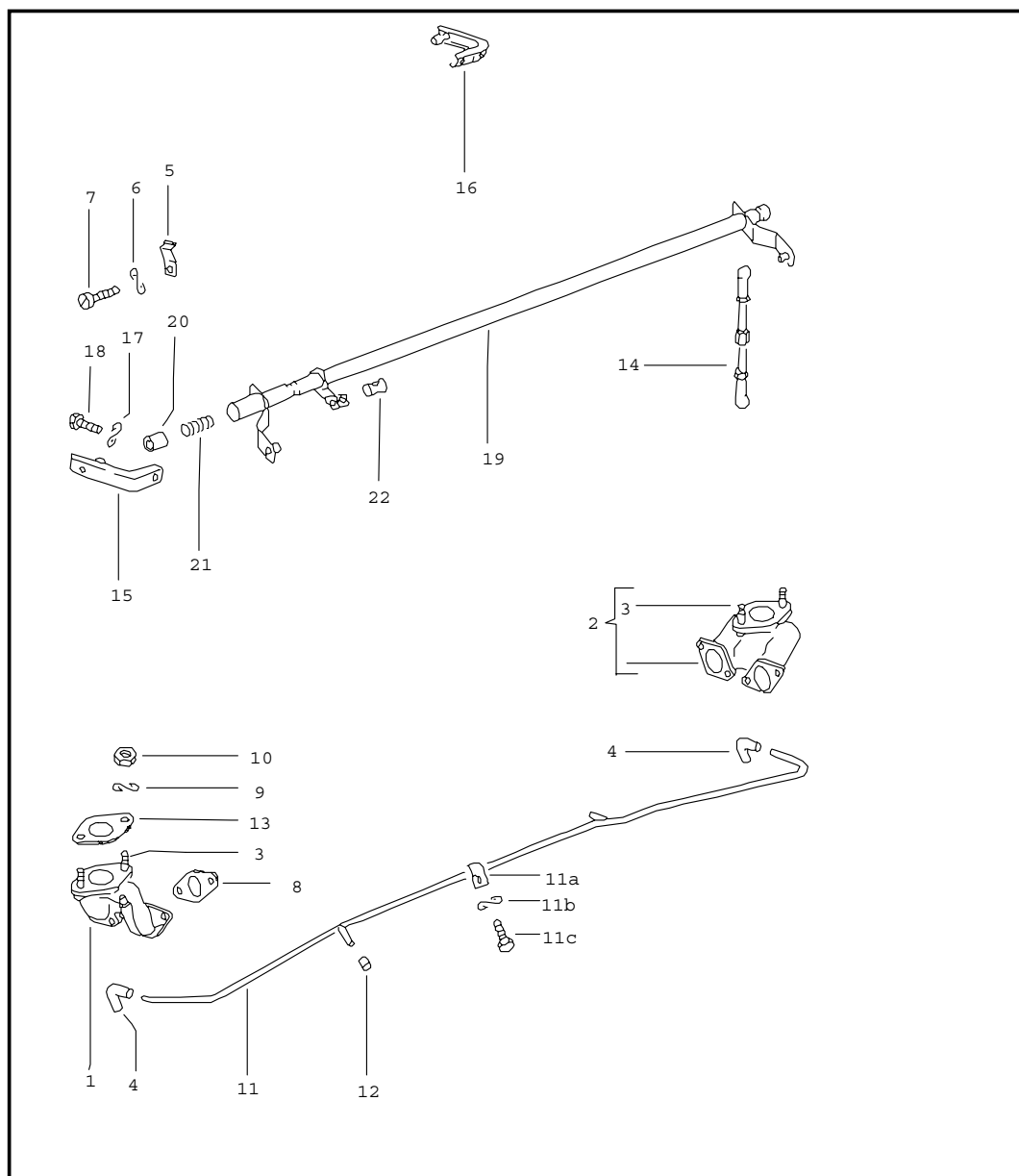


Pos	Part Number	Name	Remarks	Qty	Model
		carburetor			914-1,8V
(1)	021 129 027 R	carburetor SOLEX 40 PDSIT	/L	1	
1	021 129 028 R	carburetor SOLEX 40 PDSIT	/R	1	
-	021 129 073	support for traction of carburetor		1	
-	N 012 226 5	spring washer B 6		1	
-	N 010 218 6	hexagon-head bolt M 6 X 25		1	
2	021 129 107 F	carburetor housing upper part	/R	1	
(2)	021 129 108 F	carburetor housing upper part	/L	1	
3	311 129 123	pan-head screw		3	
4	N 012 004 2	lock ring B 4		3	
5	N 012 006 4	lock ring B 6		1	
6	113 129 157	hexagon nut for shaft		1	
7	021 129 191 D	cover with spring heating coil	/R	1	
(7)	021 129 192 D	cover with spring and heating coil	/L	1	
8	311 129 193	gasket		1	
9	021 129 199	retaining ring		1	
10	311 129 123	pan-head screw		3	

Model	Year	MG	SG	Illustration	Restrictions	Update	11:09	23.08.2006	PORSCHE	PET	PORSCHE
914	76	1	17	117-00		203					

Pos	Part Number	Name	Remarks	Qty	Model	Pos	Part Number	Name	Remarks	Qty	Model
11	111 129 201	float needle valve \$ 1,5 MM		1		28	021 129 399	axle		1	
12	311 129 213	sealing ring 12 X 1,5 X 1		1		29	341 129 401	screw plug for main vent		1	
-	021 129 221	diaphragm for carburetor upper part	/R	1		30	341 129 405 C	main vent 132,5		1	
-	021 129 222	diaphragm diaphragm for carburetor upper part	/L	1		31	311 129 409	sealing ring 10 X 13,5 X 1		1	
13	021 129 255 A	connecting rod		1		32	058 129 413 B	solenoid valve G 50 / 12 V		1	
14	113 129 225 A	spring for diaphragm		1		33	311 129 427 A	adjusting screw screw		1	
15	021 129 281 A	gasket		1		34	113 129 430	o-ring		1	
16	311 129 289 A	pan-head screw		5		35	021 129 430 A	o-ring		1	
17	021 129 291 L	throttle body	/R	1		36	021 129 432 A	adjusting screw		1	
(17)	021 129 292 L	throttle body	/L	1		37	111 129 435 AA	air vent 120		1	
18	021 129 293 A	gasket		1		38	021 129 451 E	diaphragm		1	
19	341 129 295	screw		2		39	021 129 467	spring		1	
20	021 129 347	stop screw		1		40	021 129 470 B	cover		1	
21	021 129 343 D	lever	/R	1		41	111 129 473	rais. counters. h. tap. s. M 4 X 10		4	
(21)	021 129 344 D	lever	/L	1		42	021 129 881 C	return spring		1	
22	111 129 179	hexagon nut for connecting rod		2		43	N 020 351 1	hose 3,5 X 2		*	
23	113 129 355 B	lock washer		1				- - - E N D - - -			
24	111 129 157	hexagon nut		1							
25	021 129 365	fastening screw for funnel		1							
26	113 129 391	float		1							
27	021 129 397	spring clip		1							

Model	Year	MG	SG	Illustration	Restrictions	Update	11:10	23.08.2006	PORSCHE	PET	PORSCHE
914	76	1	17	117-05		203					

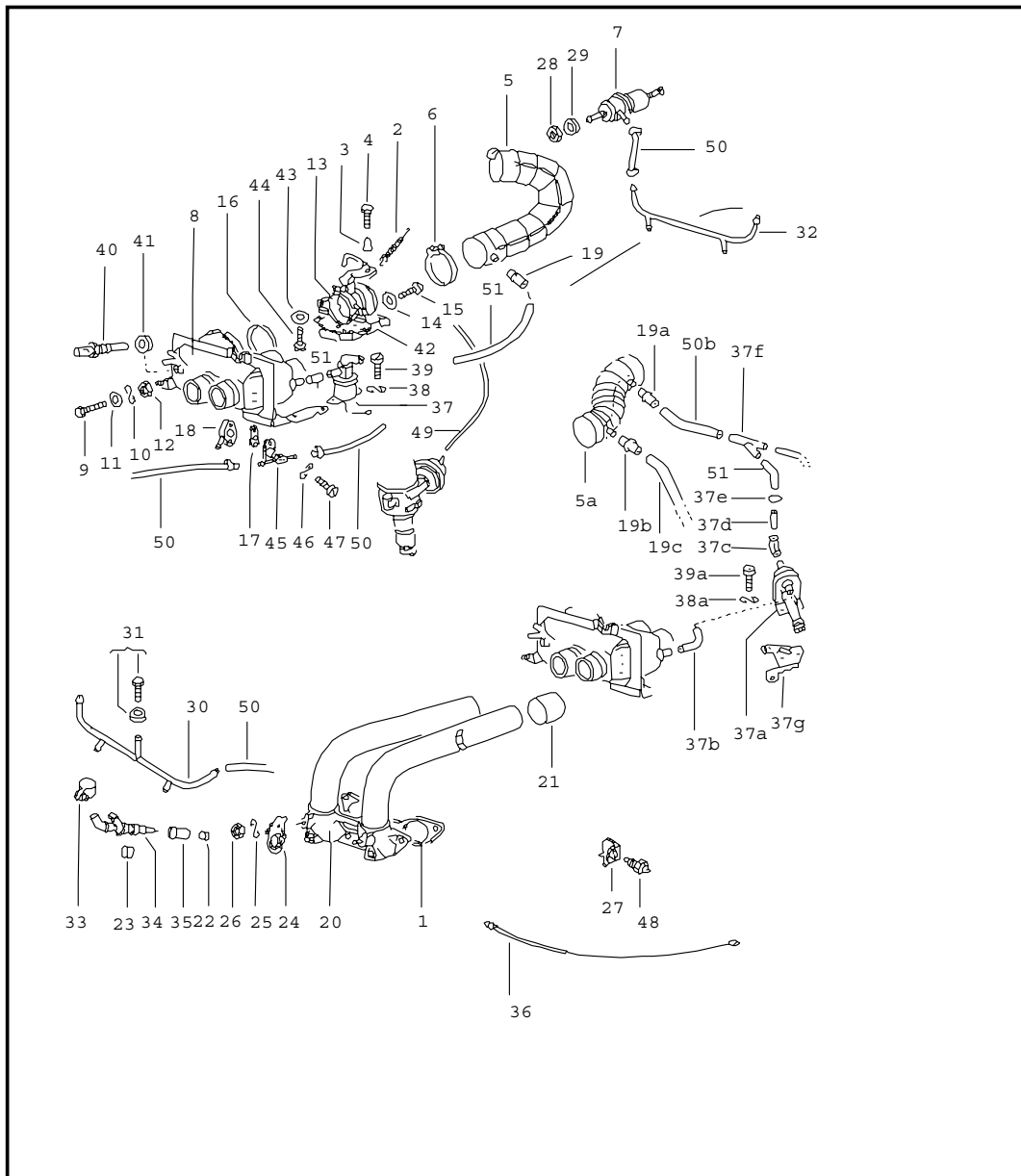


Pos	Part Number	Name	Remarks	Qty	Model
		intake connection intake pipe control shaft			914-1,8V
1	021 129 705 T	intake connection	/R	1	
2	021 129 706 T	intake connection	/L	1	
3	N 014 396 3	stud AM 8 X 50		4	
4	021 129 637 F	elbow		2	
5	021 129 693	tensioning spring		2	
6	N 012 226 5	spring washer B 6		2	
7	N 010 713 1	pan-head screw AM 6 X 8		2	
8	021 129 707 E	gasket for intake connection		4	
9	N 012 241 11	spring washer B 8 X 15		4	
10	N 011 008 8	hexagon nut M 8		1	
11	021 129 721 M	compensating line		1	
11A	021 129 727 B	support		1	
11B	N 011 555 1	washer 4,3		1	
11C	N 011 372 3	pan-head tapping screw B 3,9 X 6,5		1	
12	021 129 753	plug \$ 7 MM		1	
13	021 129 795 D	gasket		2	
14	021 129 842 B	pull rod		2	
15	021 129 917 C	bearing bracket	/R	1	
16	021 129 918 B	bearing bracket	/L	1	
17	N 012 226 5	spring washer B 6		4	
18	N 010 215 13	hexagon-head bolt M 6 X 15		4	

Model	Year	MG	SG	Illustration	Restrictions	Update	11:10	23.08.2006	PORSCHE	PET	PORSCHE
914	76	1	17	117-05		203					

Pos	Part Number	Name	Remarks	Qty	Model	Pos	Part Number	Name	Remarks	Qty	Model
19	021 129 933 P	control shaft		1							
20	021 129 957	ball socket		1							
21	021 129 959	compression spring		1							
22	022 133 139	pin		1							
-	411 721 577	tension bolt		1							
-	900 906 005 01	snap ring		1							
-	N 029 964 1	threaded pin AM 5 X 6		1							
		- - - E N D - - -									

Model	Year	MG	SG	Illustration	Restrictions	Update	11:10	23.08.2006	PORSCHE	PET	PORSCHE
914	76	1	17	117-10		203					



Pos	Part Number	Name	Remarks	Qty	Model
		injection system			914-4/1,7 914-1,8/2,0
1	022 129 707 C	gasket		2	914-4/1,7
1	022 129 707 F	gasket without asbestos		2	914-4/1,7
(1)	039 129 707	gasket		2	914-2,0
-	N 012 241 11	spring washer B 8 X 15		6	
-	N 011 008 8	hexagon nut M 8		6	
(2)	039 129 881 A	return spring 102 MM M GB0 000 001>> M >> W0 129 581		1	914-4/2,0
2	022 129 881 F	return spring 100 MM M W0 129 582 >> M >> W0 250 000		1	914-4/1,7
(2)	022 129 881 F	return spring 100 MM		1	914-1,8/2,0
3	111 129 921	pin		1	
4	N 010 205 6	hexagon-head bolt M 5 X 10		1	914-4/1,7 914-2,0
5	022 129 967 P	elbow for air cleaner M >> W0 170 000		1	914-4
(5)	022 129 967 P	elbow for air cleaner M W0 170 001 >> M >> W0 250 000		1	914-4/1,7
6	211 255 463	hose clamp \$ 62 - 87 MM		1	914-4/1,8
7	PCG 133 030 A	pressure regulator		1	914-4/1,7 914-2,0
8	022 133 055 G	distributor housing		1	914-4/1,7
(8)	039 133 055 B	distributor housing see group 1/17/15 M GB0 000 001>>		1	914-2,0

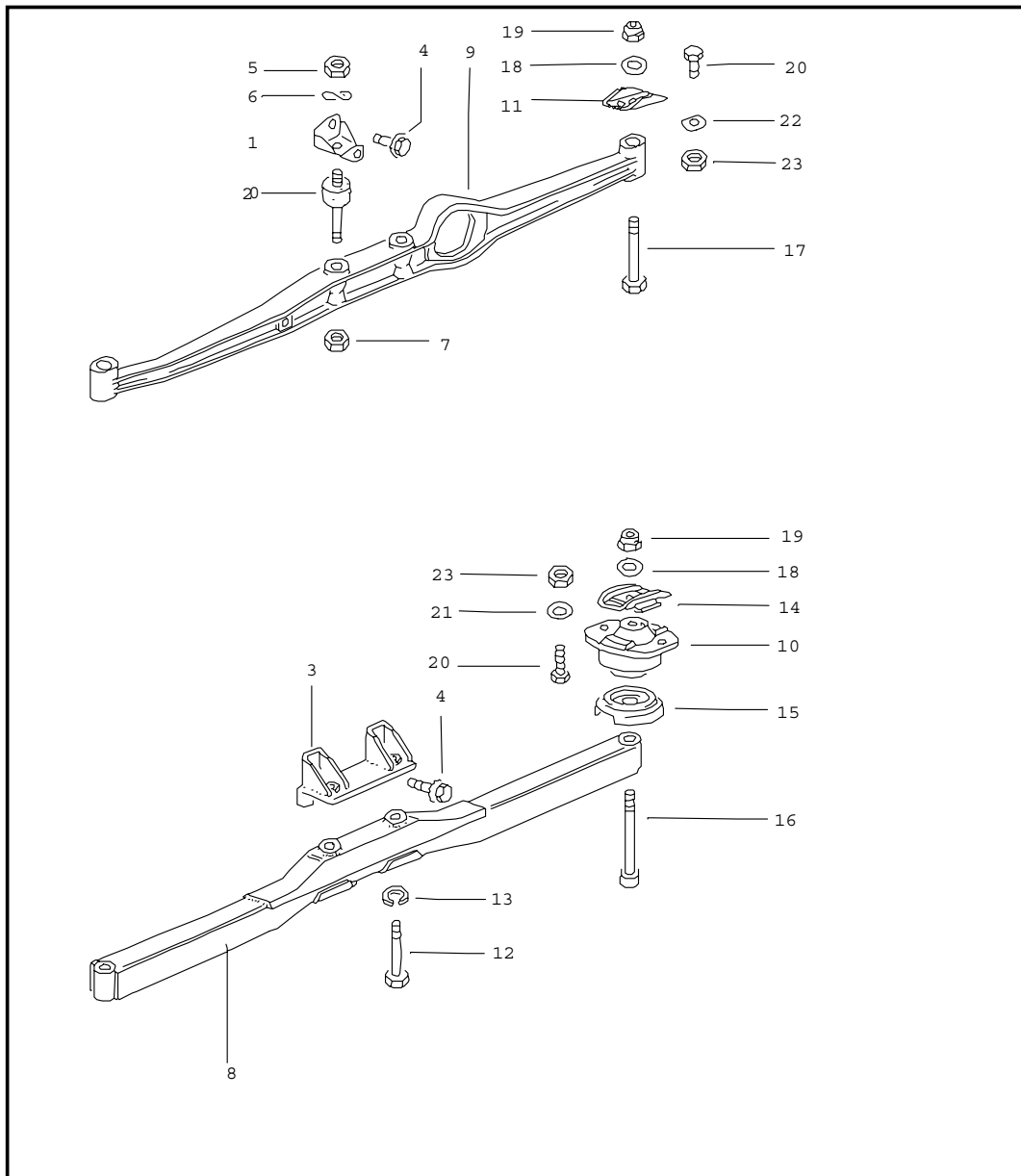
Model	Year	MG	SG	Illustration	Restrictions	Update	11:10	23.08.2006	PORSCHE	PET	PORSCHE
914	76	1	17	117-10		203					

Pos	Part Number	Name	Remarks	Qty	Model	Pos	Part Number	Name	Remarks	Qty	Model
9	N 010 351 2	hexagon-head bolt BM 8 X 52		1	914-4/1,7 914-2,0	(22)	311 133 261	injector locating bush inner M >> W0 057 460		4	914-4
10	N 012 241 11	spring washer B 8 X 15		1		22	311 133 261 A	injector locating bush inner M GB0 000 001>> M W0 057 461 >> M >> W0 250 000		4	
11	900 025 007 02	washer A 8,4		1							
12	N 011 008 8	hexagon nut M 8		1		23	311 133 263	injector locating bush outer		4	
13	022 133 062 D	throttle body		1	914-4/1,7						
(13)	039 133 062 D	throttle body see group 1/17/15 M GB0 000 001>>		1	914-2,0	24	022 133 271	pressure plate for injector locating bush		4	
14	N 012 226 5	spring washer B 6		2	914-4/1,7 914-1,8	25	N 012 226 5	spring washer B 6		4	
(14)	N 012 228 3	spring washer B 8		2	914-2,0	26	900 076 010 02	hexagon nut M 6		4	
15	N 014 145 3	pan-head screw BM 6 X 30		2	914-4/1,7 914-1,8	27	022 133 285 B	support		1	914-4/1,7
(15)	N 010 241 2	hexagon-head bolt M 8 X 25		2	914-2,0	(27)	039 133 285 B	support		1	914-2,0
16	022 133 073	gasket		1	914-4/1,7	28	311 133 307	hexagon nut		1	914-4/1,7 914-2,0
(16)	039 133 073	gasket		1	914-2,0	29	311 133 309	insulating piece		1	914-4/1,7 914-2,0
17	022 133 075 A	gasket		1	914-4/1,7	30	022 133 315 B	fuel line distributor	/L	1	
(17)	039 133 075 A	gasket 0,5 MM		1	914-2,0	31	N 090 196 1	hexagon-head bolt with sealing ring M 4 X 8		1	
(17)	039 133 075 B	gasket 0,8 MM		1	914-2,0	32	022 133 321 B	fuel line distributor	/R	1	
18	039 133 079 A	intermediate piece		1	914-2,0						
(19)	022 133 199	intermediate piece		1	914-4	33	999 512 255 02	hose clamp for fuel hose \$ 13 MM		11	
19	022 133 199 A	intermediate piece		1	914-1,7						
20	022 133 201 B	intake manifold	/R	1	914-4/1,7	34	022 906 031 A	injector valve use also: 311.133.261 A M >> W0 057 460		4	914-4/1,7
(20)	022 133 202 B	intake manifold	/L	1	914-4/1,7						
(20)	039 133 201 B	intake manifold		2	914-2,0						
21	022 133 241 B	connecting hose		4	914-4/1,7	(34)	039 906 031	injector valve M GB0 000 001>>		4	914-2,0
(21)	039 133 241	connecting hose		4	914-1,8/2,0	-	037 906 240	connector housing		4	

Model	Year	MG	SG	Illustration	Restrictions	Update	11:10	23.08.2006	PORSCHE	PET	PORSCHE
914	76	1	17	117-10		203					

Pos	Part Number	Name	Remarks	Qty	Model	Pos	Part Number	Name	Remarks	Qty	Model
-	357 972 741 A	rubber insert		8		46	N 012 226 5	spring washer A 6		2	
-	999 652 456 22	contact pin		8		47	N 010 710 8	pan-head screw AM 6 X 10		2	914-4/1,7 914-1,8
35	311 906 033	sleeve		4	914-4/1,7	(47)	N 010 727 1	pan-head screw AM 6 X 30		2	914-2,0
36	022 906 041 A	temperature sensor for cylinder head M >>GB0 007 401		1	914-2,0	(48)	311 906 161 A	temperature switch M >> W0 057 460		1	914-4
36	311 906 041 A	temperature sensor for cylinder head M GB0 007 402>> M >> W0 250 000		1		48	311 906 161 C	temperature switch M GB0 000 001>> M W0 057 461 >> M >> W0 250 000		1	914-4/1,7 914-2,0
-	039 971 762 A	resistor with temperature sensor M >>GB0 009 821		1	914-2,0	49	N 020 353 5	hose 3,5 X 2		*	
37	022 906 045	auxiliary air regulator		1	914-4/1,7 914-2,0	50	N 020 281 1	hose 7 X 2,5		*	
38	900 028 007 02	spring washer B 5		2	914-4/1,7 914-2,0	50B	N 020 371 1	hose 14 X 2,5		*	
39	N 010 704 2	pan-head screw AM 5 X 10		2	914-4/1,7 914-2,0	51	N 020 290 1	hose 12 X 3,3		*	
40	311 906 081 A	temperature sensor for distributor housing		1	914-4/1,7 914-2,0			- - - E N D - - -			
41	N 013 830 2	sealing ring A 8 X 12		1	914-4/1,7 914-2,0						
(42)	022 906 111 A	throttle-valve switch M >> W0 129 581		1	914-4/1,7						
42	022 906 111 B	throttle-valve switch M W0 129 582 >> M >> W0 250 000		1	914-4/1,7						
(42)	039 906 111 A	throttle-valve switch		1	914-2,0						
43	N 012 121 2	lock washer A 4,3		2							
44	N 010 703 2	pan-head screw AM 4 X 8		2							
45	022 906 171 A	cold-start valve		1	914-4/1,7						
(45)	A PCG 906 171 B	valve		1	914-2,0						
(45)	PCG 906 171 B	cold-start valve		1	914-2,0						

Model	Year	MG	SG	Illustration	Restrictions	Update	11:10	23.08.2006	PORSCHE	PET	PORSCHE
914	76	1	19	119-00		203					



Pos	Part Number	Name	Remarks	Qty	Model
		engine carrier			914
(1)	039 199 221	supporting plate	/L	1	914-1,7/1,8V 914-1,8/2,0
1	039 199 222	supporting plate	/R	1	914-1,7/1,8V 914-1,8/2,0
2	039 199 231	engine mounting		2	914-1,7/1,8V 914-1,8/2,0
3	022 199 291	bracket		1	914-4
4	N 014 329 1	hexagon-head bolt M 8 X 20 self-locking		4	
5	N 011 008 8	hexagon nut M 8		2	914-1,7/1,8V 914-1,8/2,0
6	N 012 228 3	spring washer B 8		2	914-1,7/1,8V 914-1,8/2,0
7	311 101 463	hexagon nut M 8		2	914-1,7/1,8V 914-1,8/2,0
8	914 375 173 01	engine carrier		1	914-4
9	914 375 161 05	engine carrier		1	914-1,7/1,8V 914-1,8/2,0
10	914 375 035 00	engine mounting		2	914-4
11	914 375 181 00	base		2	914-1,7/1,8V 914-1,8/2,0
12	900 074 138 01	hexagon-head bolt M 10 X 70		2	914-4
13	900 027 016 02	lock ring B 10		2	914-4
14	914 375 058 00	base upper		2	914-4
15	914 375 241 00	base lower		2	914-4
16	N 014 736 1	pan-head screw M 10 X 90		2	914-4
17	N 010 472 4	hexagon-head bolt M 10 X 85		2	914-1,7/1,8V 914-1,8/2,0
18	900 025 008 02	washer 10,5		2	

Model	Year	MG	SG	Illustration	Restrictions	Update	11:10	23.08.2006	PORSCHE	PET	PORSCHE
914	76	1	19	119-00		203					

Pos	Part Number	Name	Remarks	Qty	Model	Pos	Part Number	Name	Remarks	Qty	Model
19	N 021 195 1	nut M 10 self-locking		2							
20	900 075 085 02	hexagon-head bolt M 8 X 20		4							
21	900 025 007 02	washer 8,4		4	914-4						
22	914 375 162 00	washer		4	914-1,7/1,8V 914-1,8/2,0						
23	900 910 022 02	hexagon nut		4							
		- - - E N D - - -									

Model	Year	MG	SG	Illustration	Restrictions	Update	11:10	23.08.2006
914	76	1	98	198-00		203		

Pos	Part Number	Name	Remarks	Qty	Model
>>	> 901 100 902 03	set of seals repair kits		1	914-6
-	999 704 172 50	1 set engine gaskets comprising: sealing ring		5	
-	999 701 006 40	o-ring		24	
-	999 113 057 52	radial sealing ring 65 X 85 X 10		1	
-	999 113 049 52	radial sealing ring 30 X 50 X 10		1	
-	900 174 041 40	sealing ring A 50 X 4		1	
-	930 101 391 01	gasket for oil strainer		2	
-	900 123 011 30	sealing ring A 22 X 27		4	
-	901 104 191 00	gasket		6	
-	901 104 391 01	cylinder head gasket		6	
-	911 104 193 03	valve stem seal valve		12	
-	930 105 193 00	gasket crankcase and chain case		2	
-	930 105 197 05	gasket		2	
-	999 701 124 40	o-ring 67,5 X 75,5 X 4		2	
-	930 105 191 03	gasket for chain case	/L	1	
-	930 105 192 01	gasket for chain case	/R	1	
-	930 105 194 00	gasket for camshaft housing upper		2	

PORSCHE

PET

PORSCHE

Model	Year	MG	SG	Illustration	Restrictions	Update	11:10	23.08.2006
914	76	1	98	198-00		203		

Pos	Part Number	Name	Remarks	Qty	Model
-	930 105 195 00	gasket for camshaft housing lower		2	
-	900 031 014 30	washer 8,4 for camshaft housing lower		11	
-	930 105 198 01	gasket for cover		1	
-	900 123 008 30	sealing ring A 14 X 20		1	
-	900 123 005 00	sealing ring A 12 X 16		12	
-	900 123 044 30	sealing ring A 18 X 22		2	
-	900 123 066 30	sealing ring A 10 X 16		8	
-	999 701 598 40	o-ring 8,3 X 2,4		2	
-	999 701 596 40	o-ring 20,3 X 2,4		2	
-	N 013 804 2	sealing ring A 6 X 10		2	
-	999 704 173 50	sealing ring 26 X 19,5 X 8,5		2	
-	999 701 100 50	o-ring		1	
-	900 123 071 30	sealing ring A 18 X 24		2	
-	999 707 112 40	round seal		8	
-	999 701 053 50	sealing ring 39,2 X 3		1	
-	905 107 191 02	gasket		1	
-	999 701 135 50	o-ring 15 X 2,5		1	
-	930 107 791 00	gasket for bleeder		1	
-	900 123 043 30	sealing ring A 12 X 15,5		3	

Model	Year	MG	SG	Illustration	Restrictions	Update	11:10	23.08.2006
914	76	1	98	198-00		203		

Pos	Part Number	Name	Remarks	Qty	Model
-	901 108 391 04	gasket for intake manifold		6	
-	901 108 218 00	gasket for connecting piece		2	
-	901 108 398 01	gasket without asbestos for carburetor		6	
-	901 111 193 00	gasket for exhaust silencer		2	
-	901 111 191 01	gasket for heat exchanger		6	
-	900 123 008 30	sealing ring A 14 X 20 for screw socket		2	
-	999 701 101 50	sealing ring for distributor		1	
-	900 123 007 30	sealing ring A 14 X 18		1	
-	PCG 100 914 00	sealing ring		4	
-	901 100 915 00	sealing ring		4	
-	901 100 937 00	sealing ring		2	
-	901 100 916 00	sealing ring		4	
-	901 100 917 00	sealing ring		4	
-	901 100 946 00	diaphragm		2	
-	901 100 977 00	sealing ring		6	
-	901 100 918 00	sealing ring		4	
-	901 100 919 00	sealing ring		6	
-	901 100 990 00	sealing ring		4	
>>	> 911 105 901 01	repair kit for chain adjuster 901.105.049.02 comprising:		1	914-6
-	930 105 585 00	intermediate piece		1	

Model	Year	MG	SG	Illustration	Restrictions	Update	11:10	23.08.2006
914	76	1	98	198-00		203		

Pos	Part Number	Name	Remarks	Qty	Model
-	999 701 298 40	o-ring OR 10 - 1		1	
-	930 105 511 03	needle cage for ball valve		1	
-	N 025 658 1	ball		1	
-	900 152 005 00	snap ring 16		1	
-	999 701 598 40	o-ring CR 8,3 - 2,4		1	
-	999 701 596 40	o-ring CR 20,3 - 2,4		1	
-	900 152 017 00	snap ring 28		1	
-	N 013 804 2	sealing ring A 6 X 10		1	
>>	> 039 198 009	1 set engine gaskets use also: 021.105.245 C 021.105.247 A comprising:		1	914 914-4/1,7 914-4/1,7
-	021 101 173	sealing ring for oil tube		1	
-	021 101 189	sealing ring for hexagon-head bolt		1	
-	021 101 269 A	sealing ring for cover oil pan		1	
-	021 101 341 A	sealing ring 100 X 109 for crankcase and cylinder		4	
-	021 101 343	sealing ring 90 X 99 for cylinder and cylinder head		4	
-	021 105 275	washer		1	

Model	Year	MG	SG	Illustration	Restrictions	Update	11:10	23.08.2006
914	76	1	98	198-00		203		

Pos	Part Number	Name	Remarks	Qty	Model
-	021 105 279	sealing ring for flywheel		1	
-	021 109 345 A	sealing ring \$ 21,3 MM for protective tube valve pushrod black		8	
-	021 109 349	sealing ring \$ 23,5 MM for protective tube valve pushrod red		8	
-	021 109 349 B	sealing ring \$ 25,1 MM for protective tube valve pushrod green		8	
-	025 115 111 A	gasket for housing oil pump		1	
-	021 115 133	sealing ring for cover oil pump		1	
-	021 198 031 B	gasket for cover oil strainer		2	
-	021 115 315	gasket for connection piece oil inlet		X	
-	PCG 115 311 00	oil filler cover for connection piece oil inlet		1	
-	021 115 359 A	gasket for intermediate flange		1	
-	021 115 487	gasket for bleeder		1	
-	021 117 151 A	sealing ring for oil cooler		2	

Model	Year	MG	SG	Illustration	Restrictions	Update	11:10	23.08.2006
914	76	1	98	198-00		203		

Pos	Part Number	Name	Remarks	Qty	Model
-	021 119 125 A	sealing ring		1	
-	021 127 311 A	gasket for intermediate flange		1	
-	021 129 707 A	gasket for intake connection		X	
-	022 129 707 C	gasket for intake manifold		2	
-	025 251 261	gasket for heat exchanger and exhaust silencer		2	
-	021 256 251 A	sealing ring for heat exchanger		4	
-	111 905 261	sealing ring for distributor		1	
-	N 013 803 2	sealing ring A 6 X 10 for mount cover oil pan		2	
-	N 013 805 1	sealing ring C 12 X 18 for drain plug and cap nut oil strainer		2	
-	N 013 829 3	sealing ring C 22 X 29 for relief valve		1	
-	N 013 845 2	sealing ring C 16 X 22 for relief valve		1	
>>	> 021 198 075 D	cylinder with piston ring and bolt \$ 93 MM comprising:		1	914-1,8V

Model	Year	MG	SG	Illustration	Restrictions	Update	11:10	23.08.2006
914	76	1	98	198-00		203		

Pos	Part Number	Name	Remarks	Qty	Model
-	022 101 301 A	cylinder		1	
-	021 107 111 R	piston		1	
-	021 107 351 F	piston ring upper		1	
-	021 107 361 A	piston ring lower oil scraper ring		1	
-	021 107 371 B	oil scraper ring		1	
-	022 107 411 A	piston pin		1	
-	N 012 301 1	circlip 24		2	
>>	> 022 198 075	cylinder \$ 90 MM with piston ring and bolt comprising:		1	914-4/1,7
-	021 101 301 A	cylinder		1	
-	022 198 075	cylinder with pistons		1	
-	021 107 351 B	piston ring upper		1	
-	021 107 361	piston ring lower oil scraper ring		1	
-	021 107 371	oil scraper ring		1	
-	021 107 411 A	piston pin		1	
-	N 012 301 1	circlip 24		2	
>>	> 039 198 075	cylinder \$ 94 MM with piston ring and bolt for TYP 914-2,0 comprising:		1	914-2,0
-	039 101 301 C	cylinder		1	
-	039 107 111	piston		1	

Model	Year	MG	SG	Illustration	Restrictions	Update	11:10	23.08.2006
914	76	1	98	198-00		203		

Pos	Part Number	Name	Remarks	Qty	Model
-	039 107 351 C	piston ring upper		1	
-	039 107 361 A	piston ring lower oil scraper ring		1	
-	022 107 371 A	oil scraper ring		1	
-	022 107 411 A	piston pin		1	
-	N 012 301 1	circlip 24		2	
>>	> 021 198 175	set of piston rings \$ 90 MM comprising:		1	914-4/1,7
-	021 107 351 B	piston ring upper		4	
-	021 107 361	piston ring lower oil scraper ring		4	
-	021 107 371	oil scraper ring		4	
>>	> 021 198 175 A	set of piston rings \$ 93 MM comprising:		1	914-1,8/1,8V
-	021 107 351 F	piston ring upper		4	
-	021 107 361 A	piston ring lower oil scraper ring		4	
-	021 107 371 B	oil scraper ring		4	
>>	> 021 198 177	set of piston rings \$ 90,5 MM oversize comprising:		1	914-4/1,7
-	021 107 355 B	piston ring upper		4	
-	021 107 365	piston ring lower oil scraper ring		4	
-	021 107 375	oil scraper ring		4	
>>	> 021 198 179	set of piston rings \$ 91 MM oversize comprising:		1	914-4/1,7
-	021 107 359 B	piston ring upper		4	

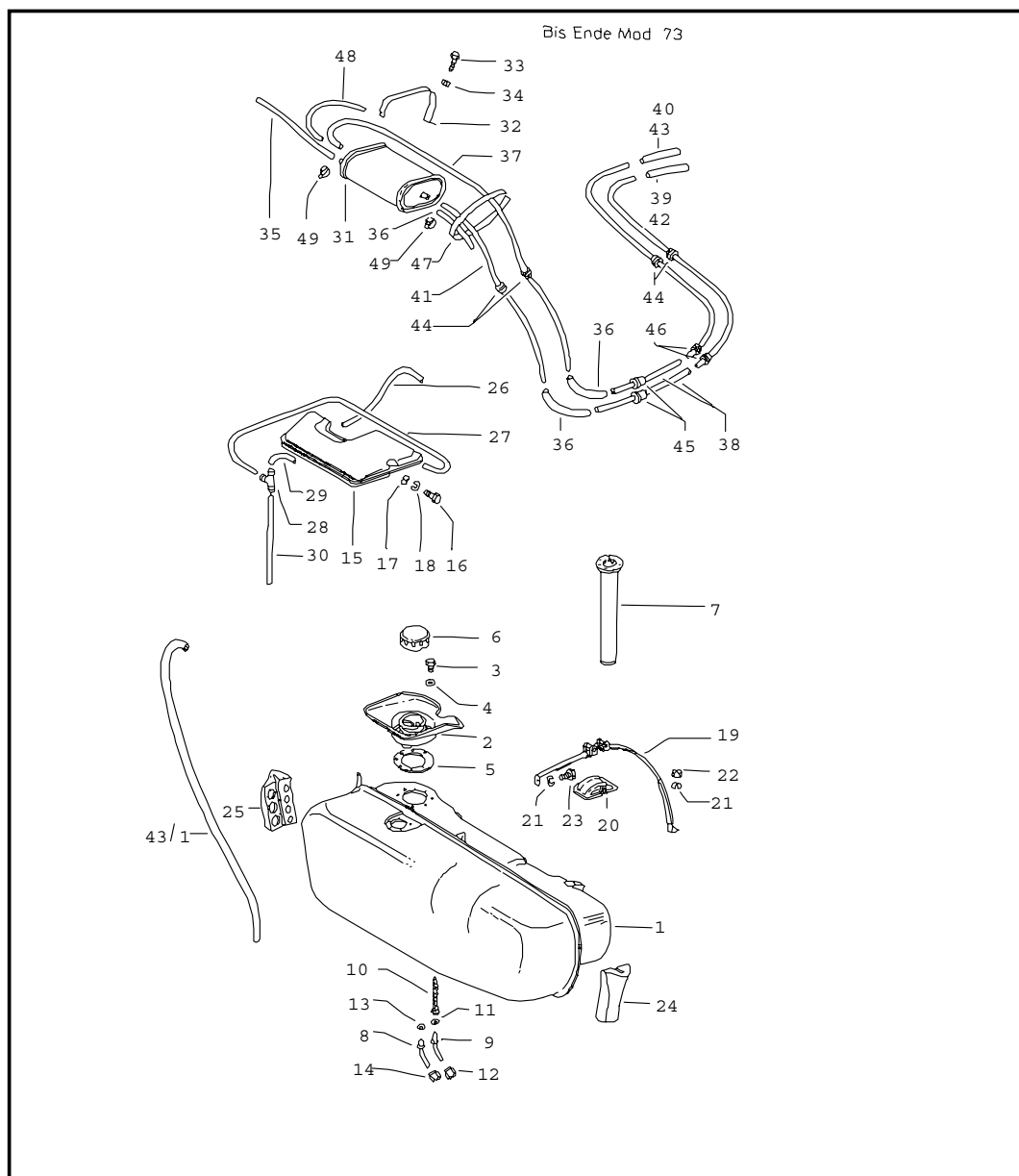
Model	Year	MG	SG	Illustration	Restrictions	Update	11:10	23.08.2006
914	76	1	98	198-00		203		

Pos	Part Number	Name	Remarks	Qty	Model
-	021 107 369	piston ring lower with		4	
-	021 107 379	oil scraper ring		4	
>>	> 021 198 481 A	set of crankshaft bearings outer \$ 70 MM comprising:		1	914-4/1,7 914-1,8/1,8V 914-2,0
-	021 105 501 B	crankshaft bearing 1		1	
-	021 105 531 E	bearing shell for crankshaft bearing 2		2	
-	021 105 561 A	crankshaft bearing 3		1	
-	021 105 591	crankshaft bearing 4		1	
>>	> 021 198 483 A	set of crankshaft bearings undersize 0,25 mm outer \$ 70 MM comprising:		1	914-4/1,7 914-1,8/1,8V 914-2,0
-	021 105 507 B	crankshaft bearing 1		1	
-	021 105 537 E	bearing shell for crankshaft bearing 2		2	
-	021 105 567 A	crankshaft bearing 3		1	
-	021 105 597	crankshaft bearing 4		1	
>>	> 021 198 485 A	set of crankshaft bearings undersize 0,50 mm outer \$ 70 MM comprising:		1	914-4/1,7 914-1,8/1,8V 914-2,0
-	021 105 513 B	crankshaft bearing 1		1	
-	021 105 543 E	bearing shell for crankshaft bearing 2		2	
-	021 105 573 A	crankshaft bearing 3		1	

Model	Year	MG	SG	Illustration	Restrictions	Update	11:10	23.08.2006
914	76	1	98	198-00		203		

Pos	Part Number	Name	Remarks	Qty	Model
-	021 105 603	crankshaft bearing 4		1	
>>	> 021 198 487 A	set of crankshaft bearings undersize 0,75 MM outer \$ 70 MM comprising:		1	914-4/1,7 914-1,8/1,8V 914-2,0
-	021 105 519 A	crankshaft bearing 1		1	
-	021 105 549 E	bearing shell for crankshaft bearing 2		2	
-	021 105 579 A	crankshaft bearing 3		1	
-	021 105 609	crankshaft bearing 4		1	
>>	> 021 198 541	camshaft bearing 1 set outer \$ 27,5 MM comprising:		1	914-4/1,7 914-1,8/1,8V 914-2,0
-	--- --- --- ---	bearing shell for camshaft bearing 1		2	
-	--- --- --- ---	bearing shell for camshaft bearing 2		2	
-	--- --- --- ---	bearing shell for camshaft bearing 3	/L	1	
-	--- --- --- ---	bearing shell for camshaft bearing 3	/R	1	
- - - E N D - - -					

Model	Year	MG	SG	Illustration	Restrictions	Update	11:11	23.08.2006	PORSCHE	PET	PORSCHE
914	76	2	01	201-00		203					

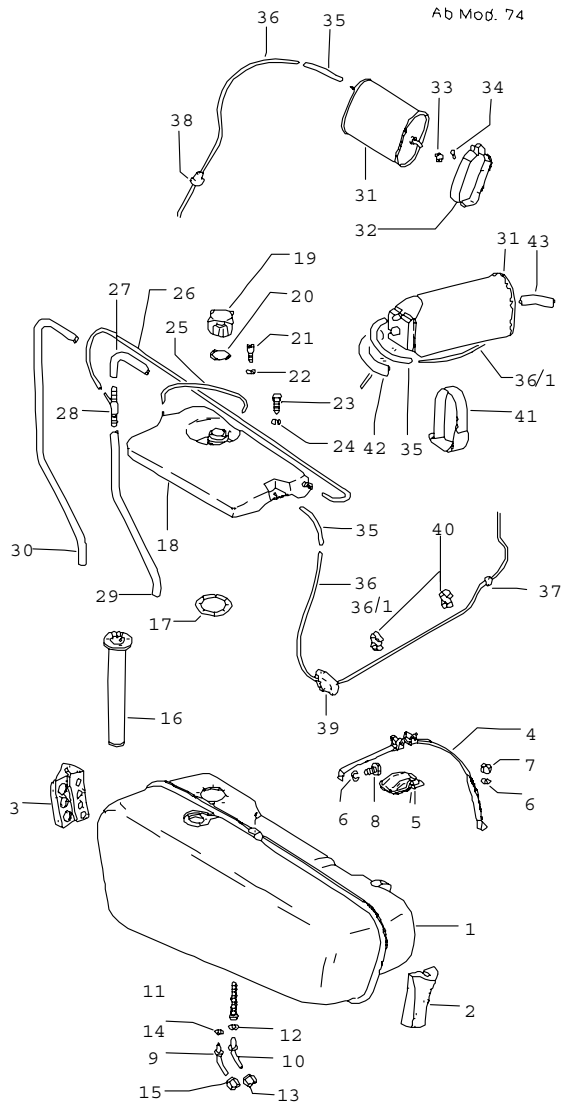


Pos	Part Number	Name	Remarks	Qty	Model
		fuel tank	-73		
1	914 201 010 10	fuel tank F >>47329 24902		1	
2	914 201 019 10	filler neck complete F >>47329 24902		1	
3	N 010 207 6	hexagon-head bolt M 5 X 12 F >>47329 24902		8	
4	900 025 003 02	washer 5,3 F >>47329 24902		8	
5	914 201 893 10	gasket for filler neck		1	
6	343 201 551	cover \$ 70 MM F >>47329 24902		1	
7	---	sender electric see group 9/03/05		X	
8	914 201 041 10	pipe for return line		1	
9	914 201 043 10	pipe		1	
10	111 209 147 A	strainer		1	
11	914 201 147 10	gasket		1	
12	914 201 153 10	union nut		1	
13	311 201 235 A	gasket		1	
14	311 201 231 A	union nut		1	
15	914 201 055 10	expansion tank F >>47329 24902		1	
16	900 075 010 02	hexagon-head bolt M 6 X 12 F >>47329 24902		2	
17	N 011 524 7	washer 6,4 F >>47329 24902		2	

Model	Year	MG	SG	Illustration	Restrictions	Update	11:11	23.08.2006	PORSCHE	PET	PORSCHE
914	76	2	01	201-00		203					

Pos	Part Number	Name	Remarks	Qty	Model	Pos	Part Number	Name	Remarks	Qty	Model
18	900 027 014 01	lock ring B 6 F >>47329 24902		2							
19	914 201 031 10	restraining strap		1							
-	914 201 308 10	desk pad		3							
20	914 201 305 10	bridge		1							
21	900 027 014 01	lock ring B 6		2							
22	900 076 010 02	hexagon nut M 6		1							
23	900 075 010 02	hexagon-head bolt M 6 X 12		1							
24	914 201 151 10	rubber buffer	/L	1							
25	914 201 152 10	rubber buffer	/R	1							
-	N 020 361 2	hose 4 X 2,5		*							
26	-	290 MM		1							
		- - - E N D - - -									

Model	Year	MG	SG	Illustration	Restrictions	Update	11:11	23.08.2006	PORSCHE	PET	PORSCHE
914	76	2	01	201-05		203					

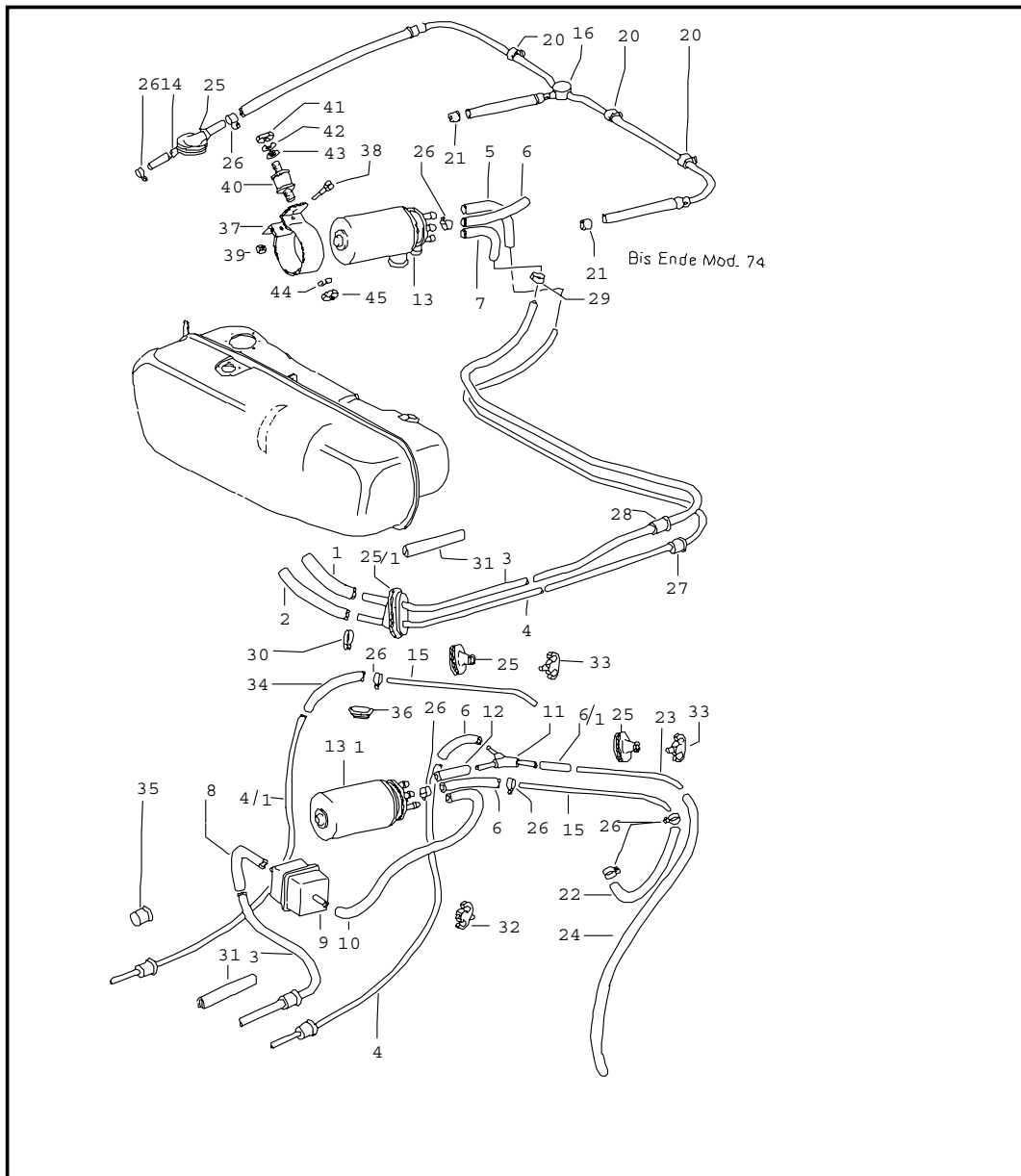


Pos	Part Number	Name	Remarks	Qty	Model
		fuel tank	74-		
1	914 201 010 12	fuel tank F 47329 24903>>	73-	1	914-1,8V/1,8 914-2,0
2	914 201 151 10	rubber buffer	/L	1	914-1,8V/1,8 914,2,0
3	914 201 152 10	rubber buffer	/R	1	914-1,8V/1,8 914-2,0
4	914 201 031 10	restraining strap		1	914-1,8V/1,8 914-2,0
-	914 201 308 10	desk pad		3	914-1,8V/1,8 914-2,0
5	914 201 305 10	bridge		1	914-1,8V/1,8 914-2,0
6	900 027 014 01	lock ring B 6		2	914-1,8V/1,8 914-2,0
7	900 076 010 02	hexagon nut M 6		1	914-1,8V/1,8 914-2,0
8	900 075 010 02	hexagon-head bolt M 6 X 12		1	914-1,8V/1,8 914-2,0
9	914 201 041 10	pipe for return line		1	914-6 914-4/1,7 914-1,8/2,0
10	914 201 043 10	pipe		1	914-6 914-4/1,7 914-1,8/2,0
10	914 201 087 10	pipe	74-	1	914-1,8V
11	111 209 147 A	strainer	-74	1	
11	113 209 147	strainer	75-	1	914-1,8V/1,8 914-2,0
12	914 201 147 10	gasket		1	914-6 914-4/1,7 914-1,8/2,0
12	311 201 235 A	gasket	74-	1	914-1,8V
13	914 201 153 10	union nut		1	914-6 914-4/1,7 914-1,8/2,0
13	311 201 231 A	union nut	74-	1	914-1,8V
14	311 201 235 A	gasket		1	

Model	Year	MG	SG	Illustration	Restrictions	Update	11:11	23.08.2006	PORSCHE	PET	PORSCHE
914	76	2	01	201-05		203					

Pos	Part Number	Name	Remarks	Qty	Model	Pos	Part Number	Name	Remarks	Qty	Model
15	311 201 231 A	union nut		1	914-6 914-4/1,7 914-1,8/2,0	25	-	290 MM		1	914-1,8V/1,8 914-2,0
15	914 201 209 10	union nut	74-	1	914-1,8V				- - - E N D - - -		
-	914 201 213 10	washer	74-	2	914-1,8V/2,0						
16	--- --- --- --	sender electric see group 9/03/05		X							
17	914 201 893 10	gasket for filler neck		1							
18	914 201 083 10	expansion tank		1	914-1,8V/1,8 914-2,0						
		F 47329 24903>>	73-								
19	914 201 207 10	cover		1	914-1,8V/1,8 914-2,0						
		F 47329 24903>>	73-								
-	914 201 319 10	ring	75-	1	914-1,8V/1,8 914-2,0						
20	914 201 227 10	gasket		1	914-1,8V/1,8 914-2,0						
		F 47329 24903>>	73-								
21	N 014 741 1	hexagon socket head bolt M 5 X 15	-74	8	914-1,8V/1,8 914-2,0						
		F 47329 24903>>	73-								
(21)	N 010 296 2	hexagon-head bolt M 5 X 18	75-	8	914-1,8V/1,8 914-2,0						
22	900 025 003 02	washer 5,3		8	914-1,8V/1,8 914-2,0						
		F 47329 24903>>	73-								
23	900 075 057 02	hexagon-head bolt M 6 X 16		1	914-1,8V/1,8 914-2,0						
		F 47329 24903>>	73-								
24	900 027 014 01	lock ring B 6	-74	1	914-1,8V/1,8 914-2,0						
		F 47329 24903>>	73-								
(24)	900 151 029 02	washer 6,4	75-	1	914-1,8V/1,8 914-2,0						
-	N 020 361 2	hose 4 X 2,5		*							

Model	Year	MG	SG	Illustration	Restrictions	Update	11:11	23.08.2006	PORSCHE	PET	PORSCHE
914	76	2	01	201-10		203					



Pos	Part Number	Name	Remarks	Qty	Model
-	N 020 359 1	fuel line	-74	*	
1	-	hose C 9 X 15		*	
-	999 180 030 50	intake pipe 390 MM		1	
-	-	fuel hose C 7 X 12		*	
2	-	return 440 MM		1	
3	914 356 524 02	fuel line centre intake pipe	-71	1	914-4
3	914 356 062 01	fuel line centre intake pipe	72-	1	914-6 914-4/1,7 914-1,8/2,0
(3)	914 356 530 01	fuel line centre intake pipe	-71	1	914-6
4	914 356 513 00	fuel line centre return	-71	1	914-6 914-4
4	914 356 063 00	fuel line centre return	72-	1	914-6 914-4/1,7 914-1,8/2,0
4/1	914 356 063 00	fuel line centre intake pipe		1	914-1,8V
-	999 180 030 50	fuel hose C 7 X 12		*	
5	-	130 MM		1	914-6
6	-	65 MM		1	914-6
6	-	65 MM	-71	3	914-4
6	-	65 MM	72-	2	914-1,7/2,0
6	-	80 MM	74-	1	914-1,7/1,8 914-2,0
6/1	-	150 MM	72-	1	914-4/1,7 914-1,8/2,0
-	N 020 359 1	hose C 9 X 15		*	

Model	Year	MG	SG	Illustration	Restrictions	Update	11:11	23.08.2006	PORSCHE	PET	PORSCHE
914	76	2	01	201-10		203					

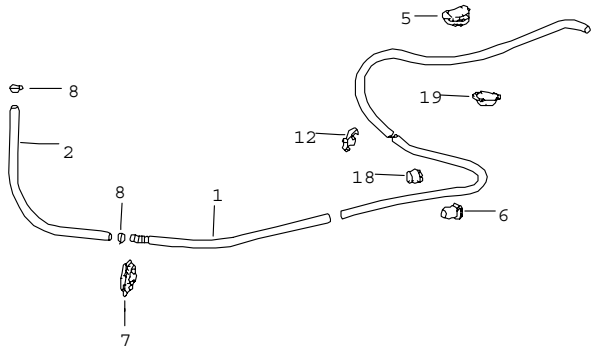
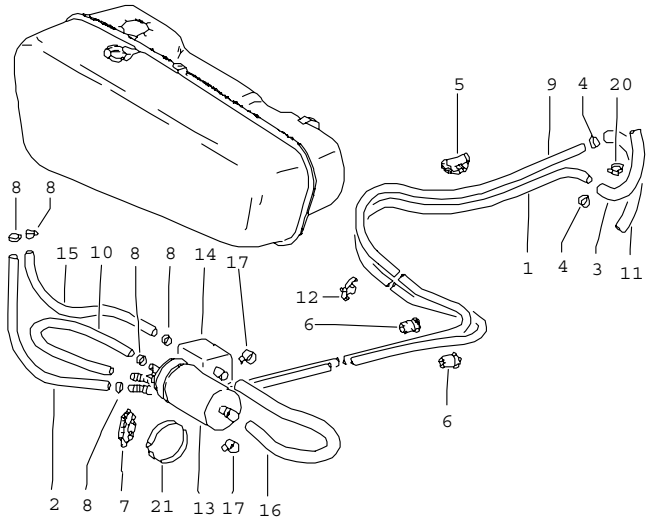
Pos	Part Number	Name	Remarks	Qty	Model	Pos	Part Number	Name	Remarks	Qty	Model
7	-	120 MM	-71	1	914-6	22	-	210 MM		1	914-4/1,7 914-1,8/2,0
7	-	160 MM	72-	1	914-6	23	914 356 528 00	fuel line return	/H -71	1	914-4
8	914 356 525 00	hose		1	914-4/1,7 914-1,8/2,0	23	914 356 528 01	fuel line return	/H 72-	1	914-4/1,7 914-1,8/2,0
9	311 133 511 D	intake pipe		1	914-4/1,7 914-1,8/2,0	-	999 180 030 50	fuel hose C 7 X 12 return		*	
-	999 180 030 50	fuel filter		*		24	-	820 MM		1	914-4/1,7 914-1,8/2,0
10	-	fuel hose C 7 X 12	-71	1	914-4	25	111 957 861	rubber sleeve		1	914-6/1,8V
10	-	440 MM	72-	1	914-4/1,7 914-1,8/2,0	25	111 957 861	rubber sleeve		2	914-4/1,7 914-1,8/2,0
10	-	300 MM		1	914-4/1,7 914-1,8/2,0	25/1	914 356 543 00	rubber sleeve		1	
11	901 356 461 00	connecting socket	-73	1	914-4/1,7 914-2,0	26	999 512 055 02	hose clamp S 12/9 ZY		3	914-6
(11)	022 133 525 A	branch piece	74-	1	914-1,8/2,0	26	999 512 055 02	hose clamp S 12/9 ZY		4	914-4/1,7 914-1,8/2,0
-	999 180 030 50	fuel hose C 7 X 12 return		*		26	999 512 055 02	hose clamp S 12/9 ZY		2	914-1,8V
12	-	40 MM	-71	1	914-4	27	914 356 201 00	rubber sleeve		1	
12	-	35 MM	72-	1	914-4/1,7 914-1,8/2,0	28	914 356 202 00	rubber sleeve not for TYP 914-1,8V		1	
13	911 608 107 00	fuel pump electric		1	914-6	29	999 512 184 02	hose clamp \$ 14,3 - 15,7		1	
13/1	311 906 091 D	fuel pump electric		1	914-4/1,7 914-1,8/2,0	29	999 512 178 02	hose clamp \$ 13		1	
14	914 356 527 00	fuel line pressure line	/H	1	914-4	30	N 023 569 2	hose clamp S 16/9 ZY not for TYP 914-1,8V	72-	2	
15	914 356 526 00	fuel line pressure line	/H	1	914-4	31	914 201 315 10	protective edging		1	
15	914 356 526 00	fuel line pressure line	/H 72-	1	914-1,7/1,8V 914-1,8/2,0	32	914 356 502 00	clamp	74-	2	914-1,8V/1,8 914-2,0
16	914 356 056 00	fuel line engine		1	914-6	33	914 356 502 01	clamp	74-	2	914-1,8V/1,8 914-2,0
20	999 591 335 40	cable holder		3	914-6						
21	901 108 219 00	cap		2	914-6						
-	999 180 030 50	fuel hose C 7 X 12 pressure line		*							

Model	Year	MG	SG	Illustration	Restrictions	Update	11:11	23.08.2006	PORSCHE	PET	PORSCHE
914	76	2	01	201-10		203					

Pos	Part Number	Name	Remarks	Qty	Model	Pos	Part Number	Name	Remarks	Qty	Model
-	999 180 030 50	fuel hose C 7 X 12		*							
34	-	185 MM	74-	1	914-1,8V						
35	999 703 215 40	plug	74-	1	914-1,8V						
36	914 559 245 10	plug picture 37 - 45 not for TYP 914-1,8V		1	914-1,8V						
37	914 356 503 00	clamp		1	914-6/4/1,7 914-1,8						
37	914 356 503 00	clamp		2	914-2,0						
38	900 014 096 02	pan-head screw BM 5 X 35		1							
39	900 198 001 02	square nut M 5		1							
40	901 501 864 00	silentbloc		2							
41	900 076 010 02	hexagon nut M 6		2							
42	900 027 014 01	lock ring B 6		2							
43	N 011 524 7	washer 6,4		2							
44	900 027 014 01	lock ring B 6		2							
45	900 076 010 02	hexagon nut M 6		2							
		- - - E N D - - -									

Model	Year	MG	SG	Illustration	Restrictions	Update	11:11	23.08.2006	PORSCHE	PET	PORSCHE
914	76	2	01	201-15		203					

Ad Mod. 75



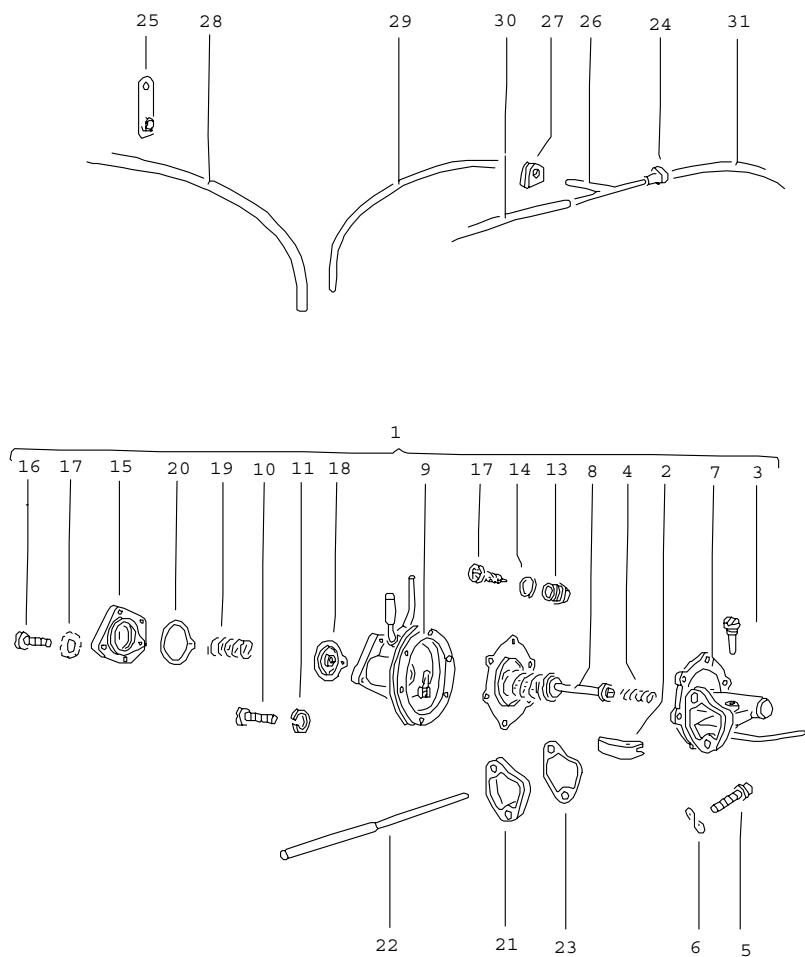
Pos	Part Number	Name	Remarks	Qty	Model
		fuel line	75-		
1	914 356 063 01	fuel line		1	
-	999 180 030 50	fuel hose C 7 X 12		*	
2	-	440 MM		1	
-	999 181 152 50	hose 7,5 X 13,5		*	
3	-	930 MM		1	914-1,8/2,0
4	N 023 577 2	hose clamp		2	914-1,8/2,0
5	111 957 861	rubber sleeve		1	914-1,8V
5	111 957 861	rubber sleeve		2	914-1,8/2,0
6	914 356 201 00	rubber sleeve		1	914-1,8V
6	914 356 201 00	rubber sleeve		2	914-1,8/2,0
7	914 356 543 01	rubber sleeve		1	
8	N 024 119 1	hose clamp		2	914-1,8V
8	N 024 119 1	hose clamp		4	914-1,8/2,0
9	914 356 062 02	fuel line pressure line		1	914-1,8/2,0
-	999 180 030 50	fuel hose C 7 X 12		*	
10	-	700 MM		1	914-1,8/2,0
-	999 181 152 50	hose 7,5 X 13,5		*	
11	-	300 MM		1	914-1,8/2,0
12	914 356 502 01	clamp		2	
13	043 906 091	fuel pump		1	914-1,8/2,0
14	133 133 511	fuel filter		1	914-1,8/2,0
-	999 180 030 50	fuel hose C 7 X 12		*	
15	-	620 MM		1	914-1,8/2,0
-	999 180 029 50	hose C 11 X 17,5		*	
16	-	470 MM		1	914-1,8/2,0

Model	Year	MG	SG	Illustration	Restrictions	Update	11:11	23.08.2006	PORSCHE	PET	PORSCHE
914	76	2	01	201-15		203					

Pos	Part Number	Name	Remarks	Qty	Model	Pos	Part Number	Name	Remarks	Qty	Model
17	N 024 124 1	hose clamp		2	914-1,8/2,0						
18	999 703 215 40	plug		1	914-1,8V						
19	914 559 245 10	plug		1	914-1,8V						
20	999 513 023 40	tie-wrap		2	914-1,8/2,0						
21	999 512 229 02	clip		1	914-1,8/2,0						
		- - - E N D - - -									

Model	Year	MG	SG	Illustration	Restrictions	Update	11:12	23.08.2006	PORSCHE	PET	PORSCHE
914	76	2	01	201-20		203					

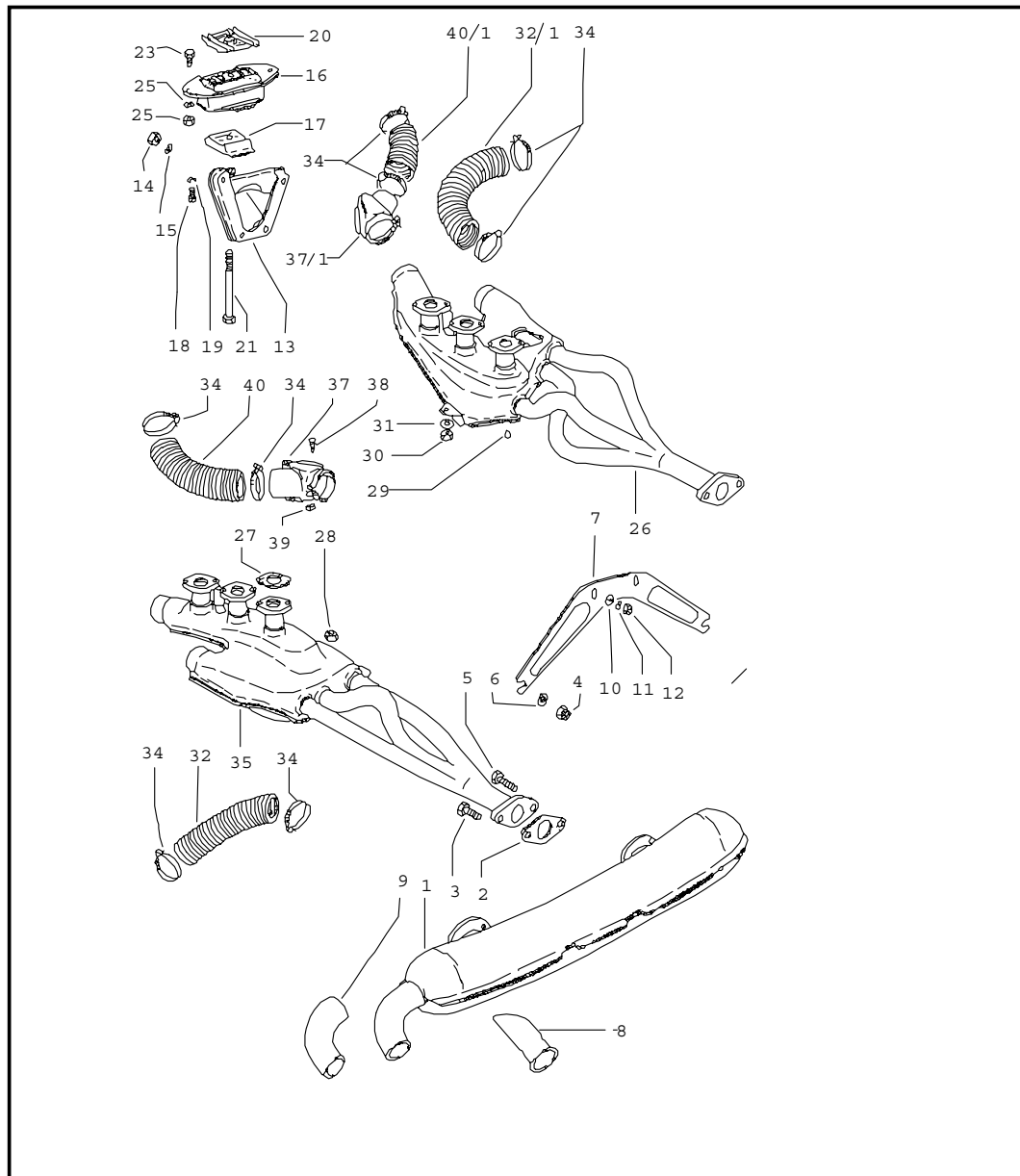
Pos	Part Number	Name	Remarks	Qty	Model
					914-1,8V
1	021 127 025 A	fuel pump		1	
2	021 127 117	lever		1	
3	021 127 129	axle		1	
4	021 127 131	spring		1	
5	021 127 135	pan-head screw M 8 X 35		2	
6	N 012 241 11	spring washer B 8 X 15		2	
7	021 127 139	housing		1	
8	021 127 141	diaphragm		1	
9	021 127 171	housing upper part		1	
10	900 014 058 02	pan-head screw AM 5 X 12		6	
11	N 012 005 3	lock ring B 5		6	
12	111 127 177	fuel filter		1	
13	111 127 179	screw plug		1	
14	111 127 181	sealing ring 15,2 X 18,5 X 1		1	
15	311 127 185	cover		1	
16	N 010 698 1	pan-head screw AM 4 X 12		4	
17	N 012 121 2	lock washer A 4,3		4	
18	021 127 201	diaphragm		1	
19	311 127 209	compression spring		1	
20	311 127 215	gasket		1	
21	021 127 303 A	intermediate flange		1	
22	021 127 307 A	cam follower		1	
23	021 127 311 A	gasket		2	
24	111 127 537 A	terminal		3	



Model	Year	MG	SG	Illustration	Restrictions	Update	11:12	23.08.2006	PORSCHE	PET	PORSCHE
914	76	2	01	201-20		203					

Pos	Part Number	Name	Remarks	Qty	Model	Pos	Part Number	Name	Remarks	Qty	Model
25	411 127 539	support		1							
26	341 127 561 A	t-piece		1							
27	021 127 591	grommet cover plate engine front		1							
-	N 020 281 1	fuel hose 7,5 X 2,5		*							
28	-	840 MM		1							
-	N 020 355 1	fuel hose 5 X 2,5		*							
29	-	220 MM		1							
30	-	480 MM		1							
31	-	290 MM		1							
		- - - E N D - - -									

Model	Year	MG	SG	Illustration	Restrictions	Update	11:12	23.08.2006	PORSCHE	PET	PORSCHE
914	76	2	02	202-00		203					

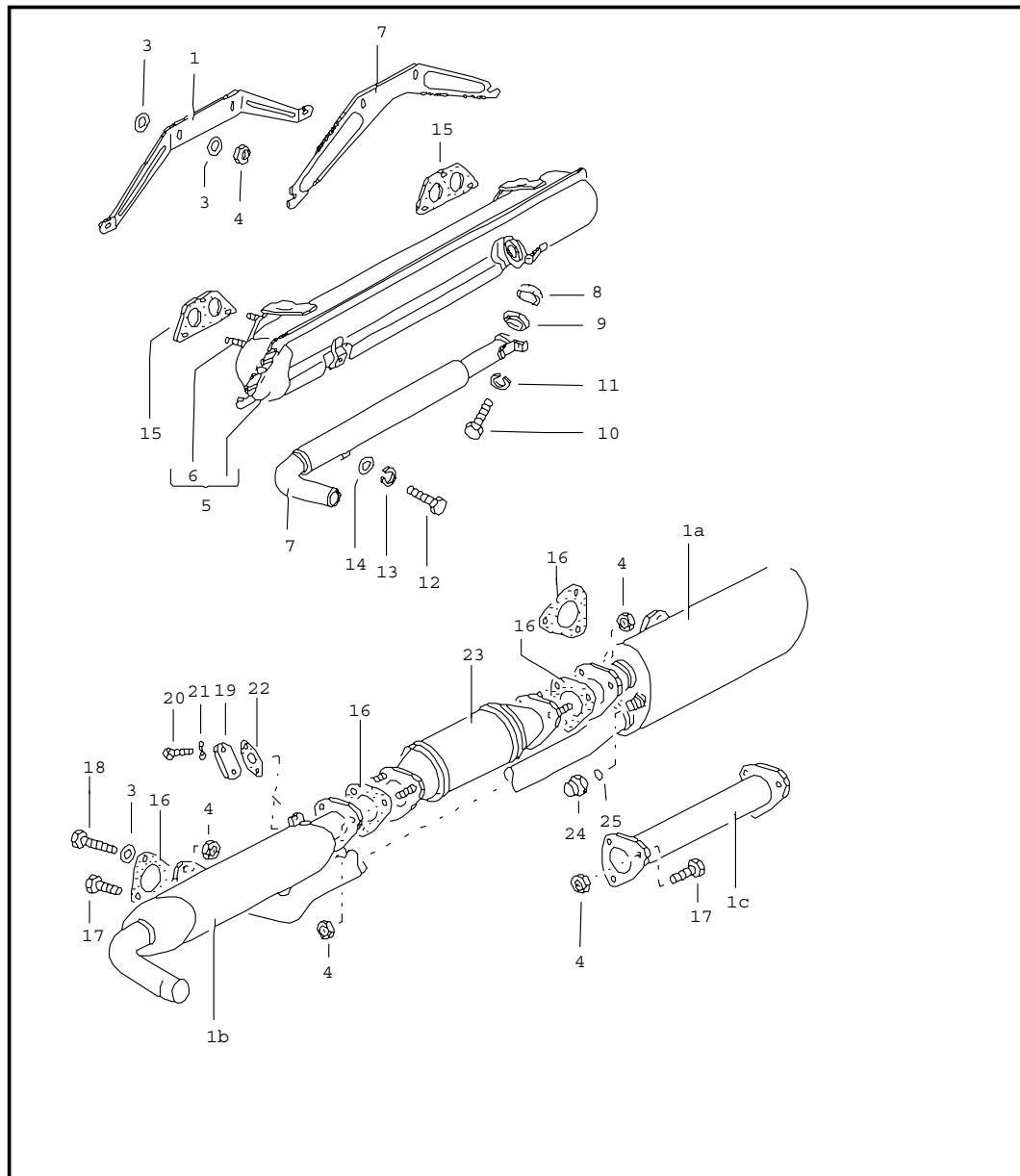


Pos	Part Number	Name	Remarks	Qty	Model
		exhaust system heating air supply engine suspension			914-6
1	901 111 011 11	exhaust silencer		1	
2	901 111 193 00	gasket		2	
3	900 075 148 02	hexagon-head bolt		2	
4	999 084 002 02	hexagon nut		4	
5	900 074 059 02	hexagon-head bolt M 10 X 40		2	
6	900 025 008 02	washer 10,5		2	
7	901 111 152 00	bracket for muffler		1	
8	901 111 245 01	ornamental exhaust pipe		10	
9	901 111 289 00	tail pipe		1	
10	900 151 030 30	washer		2	
11	N 012 241 1	spring washer B 8 X 15		2	
12	900 076 025 02	hexagon nut M 8		2	
13	901 115 012 00	bracket complete		1	
14	900 157 002 02	hexagon nut M 10		4	
15	N 012 242 3	spring washer B 10 X 18		4	
16	914 375 049 00	engine mounting		1	
17	914 375 158 00	base lower		1	
18	900 014 039 02	slotted screw AM 6 X 15		2	
19	900 027 014 01	lock ring B 6		2	
20	914 375 057 00	base upper		2	
21	900 082 043 02	hexagon-head bolt		1	

Model	Year	MG	SG	Illustration	Restrictions	Update	11:12	23.08.2006	PORSCHE	PET	PORSCHE
914	76	2	02	202-00		203					

Pos	Part Number	Name	Remarks	Qty	Model	Pos	Part Number	Name	Remarks	Qty	Model
23	900 075 041 02	hexagon-head bolt M 10 X 25		2				- - - E N D - - -			
24	900 027 016 02	lock ring B 10		2							
25	N 011 010 6	hexagon nut M 10		2							
26	901 211 004 00	heat exchanger cylinder 1 - 3	/R	1							
27	901 111 191 01	gasket		6							
28	900 076 025 02	hexagon nut M 8		3							
29	999 085 001 02	socket head nut M 8		9							
30	900 076 010 02	hexagon nut M 6		1							
31	900 028 008 01	spring washer B 6		1							
32	901 211 195 00	heater hose		1							
32/1	901 211 195 00	breather hose		1							
34	999 512 349 02	hose clamp (51-72) X 9		4							
35	901 211 003 00	heat exchanger cylinder 4 - 6	/L	1							
37	901 211 620 00	flap control box heat exchanger cylinder 1 - 3	/R	1							
37/1	901 211 610 00	flap control box heat exchanger cylinder 4 - 6	/L	1							
38	901 211 631 00	hexagon-head bolt		2							
39	901 211 632 00	square nut M 6		2							
40	930 211 622 01	connecting hose 230 MM	/L	1							
41	930 211 622 01	connecting hose 255 MM	/R	1							

Model	Year	MG	SG	Illustration	Restrictions	Update	11:12	23.08.2006	PORSCHE	PET	PORSCHE
914	76	2	02	202-05		203					

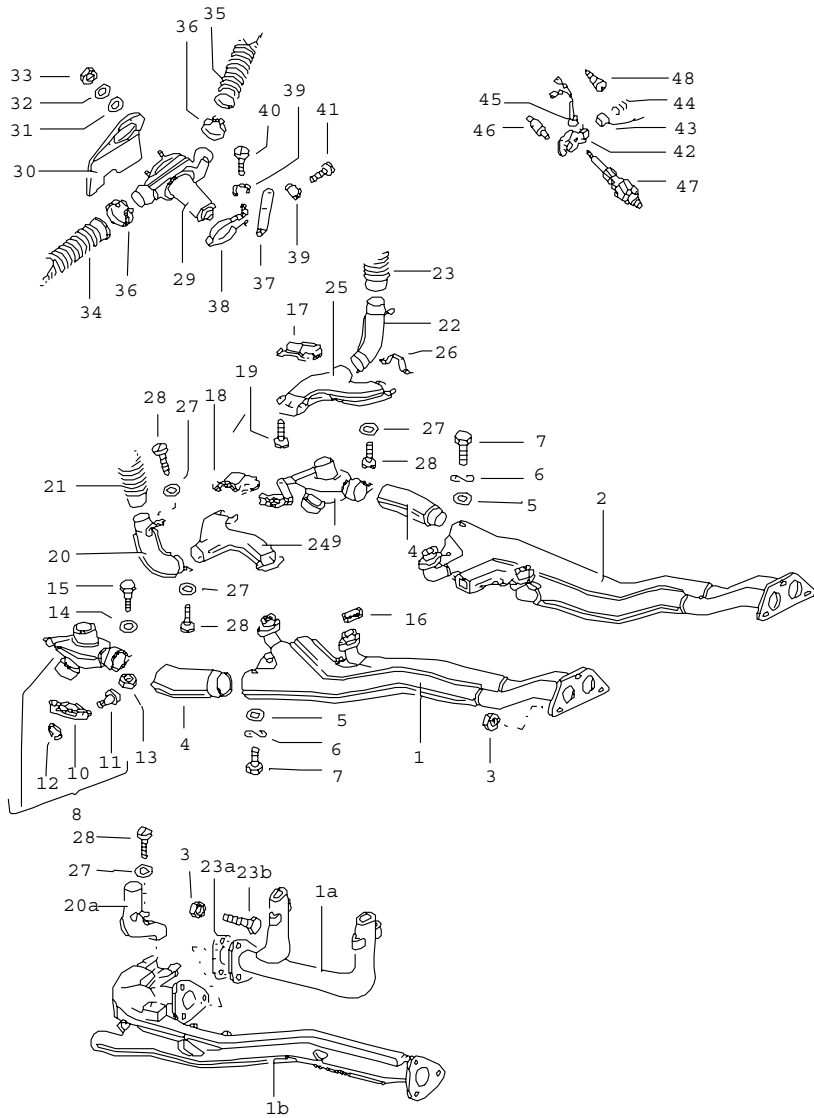


Pos	Part Number	Name	Remarks	Qty	Model
1	022 251 067 A	exhaust system exhaust silencer bracket		1	914-4/1,7 914-1,8V/1,8 914-4/1,7 914-1,8V/1,8
		M AN0 000 001>> M >> W0 250 000			
2	039 251 067	bracket		1	914-2,0
		M GB0 000 001>>			
3	N 011 670 1	washer 8,4		X	
4	311 101 463	hexagon nut M 8 self-locking		X	
(5)	021 251 053 C	retainer		1	914-4/1,7 914-1,8V/1,8
(5) A	021 251 101 E	retainer M >> W0 170 000		1	914-4
(5) A	021 251 101 K	retainer M W0 170 001 >> M >> W0 250 000		1	914-1,7
(5)	PCG 251 051 D	muffler		1	914-2,0
-	000 071 343	ornamental exhaust pipe		1	
-	000 071 347	ornamental exhaust pipe		1	914-2,0
6	N 014 463 2	stud BM 8 B X 31		6	
7	021 251 171 M	tail pipe with damper for retainer 021.251.101 E M >> W0 170 000		1	914-4
(7)	021 251 171 N	tail pipe with damper for retainer 021.251.101 K M W0 170 001 >> M >> W0 250 000		1	914-1,7

Model	Year	MG	SG	Illustration	Restrictions	Update	11:12	23.08.2006	PORSCHE	PET	PORSCHE
914	76	2	02	202-05		203					

Pos	Part Number	Name	Remarks	Qty	Model	Pos	Part Number	Name	Remarks	Qty	Model
(7)	021 251 185 C	tail pipe for retainer 021.251.053 C M AN0 000 001>> M W0 170 001 >> M >> W0 250 000		1	914-1,7/1,8V 914-1,8	20	900 075 014 02	hexagon-head bolt M 6 X 18		3	914-1,8/2,0
						21	N 012 226 5	spring washer B 6		3	914-1,8/2,0
						25	N 013 830 2	sealing ring A 8 X 12		1	914-1,8/2,0
(7)	022 251 185	tail pipe for retainer 021.251.053 C M >> W0 170 000		1	914-4			- - - E N D - - -			
8	021 251 231 B	sealing ring \$ 43 MM		1	914-4/1,7						
(8)	025 251 235	gasket for retainer 021.251.053 C M AN0 000 001>>		1	914-4/1,7 914-1,8V/1,8						
9	021 251 233 A	ring piece \$ 43,5 MM		1	914-4/1,7						
10	900 075 079 02	hexagon-head bolt M 8 X 22		1	914-4/1,7						
11	900 027 015 02	lock ring B 8		1	914-4/1,7						
(12)	900 075 078 02	hexagon-head bolt M 8 X 15		3	914-1,8V						
12	900 075 085 02	hexagon-head bolt M 8 X 20		1	914-4/1,7						
13	900 027 015 02	lock ring B 8		1	914-4/1,7						
14	900 025 007 02	washer A 8,4		1	914-4/1,7						
15	025 251 261	gasket M AN0 000 001>> M >> W0 250 000		2	914-4/1,7 914-1,8V/1,8						
(15)	039 251 261	gasket M GB0 000 001>>		2	914-2,0						
17	N 010 233 6	hexagon-head bolt M 8 X 28		12	914-1,8/2,0						
18	N 010 247 8	hexagon-head bolt M 8 X 35		4	914-1,8/2,0						

Model	Year	MG	SG	Illustration	Restrictions	Update	11:12	23.08.2006	PORSCHE	PET	PORSCHE
914	76	2	02	202-15		203					



Pos	Part Number	Name	Remarks	Qty	Model
		exhaust system heat exchanger			914
1A	039 256 281 A	exhaust pipe	/L	1	914-1,8/2,0
(1A)	039 256 281 A	exhaust pipe	/L	1	914-1,8/2,0
(1A)	039 256 282 A	exhaust pipe	/R	1	914-1,8/2,0
(1A)	039 256 282 A	exhaust pipe	/R	1	914-1,8/2,0
1	022 256 091 F	heat exchanger	/L	1	914-4/1,7
1	022 256 091 F	heat exchanger M AN0 000 001>>	/L	1	914-1,8V/1,8
(1)	039 256 091	heat exchanger M GB0 000 001>>	/L	1	914-2,0
1B	039 256 091 A	heat exchanger	/L	1	914-1,8/2,0
-	022 256 092 F	heat exchanger M AN0 000 001>> M >> W0 250 000		1	914-4/1,7 914-1,8V/1,8
(2)	039 256 092	heat exchanger M GB0 000 001>>	/R	1	914-2,0
(1B)	039 256 092 A	heat exchanger	/R	1	914-1,8/2,0
-	N 010 247 8	hexagon-head bolt M 8 X 35		6	914-2,0
-	900 025 007 02	washer A 8,4		6	914-2,0
3	311 101 463	hexagon nut M 8		X	
4	022 256 121	elbow		2	
5	N 011 652 1	washer 7		4	
6	N 012 226 5	spring washer B 6		4	
7	N 010 210 13	hexagon-head bolt M 6 X 10 K		4	
8	022 256 205 B	heat control box	/L	1	
9	022 256 206 B	heat control box	/R	1	
10	111 255 309 B	intermediate piece		2	

Model	Year	MG	SG	Illustration	Restrictions	Update	11:12	23.08.2006	PORSCHE	PET	PORSCHE
914	76	2	02	202-15		203					

Pos	Part Number	Name	Remarks	Qty	Model	Pos	Part Number	Name	Remarks	Qty	Model
11	111 255 311	bolt		2	914-4/1,7 914-2,0	(18)	021 256 322 B	cover for heating air supply M ANO 006 503>> M GB0 009 016>>	/L	1	914-1,8/1,8V 914-2,0
-	N 013 670 1	rivet		2							
12	900 116 003 02	lock washer 4		2	914-4/1,7 914-2,0	-	021 256 325 A	gasket for cover	/R	1	914-1,8/1,8V 914-2,0
13	900 076 010 02	hexagon nut M6		2							
14	N 011 652 1	washer 7		2		-	021 256 326 A	gasket for cover	/L	1	914-1,8/1,8V 914-2,0
15	111 129 635	hexagon-head bolt M 6		2		19	N 014 139 5	pan-head screw AM 6 X 12		4	
16	021 256 251 A	sealing ring for heat exchanger		4	914-4/1,7	20	022 256 331	connecting pipe M GB0 000 001>> M ANO 000 001>>	/L	1	
(16)	039 256 251	sealing ring for heat exchanger		4	914-1,8/1,8V 914-2,0	20A	039 256 331	connecting pipe	/L	1	914-1,8/2,0
-	900 025 007 02	washer B 8,4		8	914-2,0	21	914 572 153 10	heater hose 260 MM	/L	1	
-	021 256 303 B	support for heat exchanger		1	914-1,8/1,8V	22	022 256 332	connecting pipe M GB0 000 001>> M ANO 000 001>>	/R	1	
-	N 010 239 11	hexagon-head bolt M 8 X 18		2	914-1,8/1,8V	(20A)	039 256 332	connecting pipe	/R	1	914-1,8/2,0
-	900 025 007 02	washer A 8,4		2	914-1,8/1,8V	23	930 211 622 01	connecting hose 290 MM	/R	1	
17	021 256 321 D	cover for heating air supply M >> W0 250 000 M >> ANO 006 502 M >> GB0 009 015	/R	1	914-4/1,7 914-1,8/2,0	23A	443 253 115 B	gasket		2	914-1,8/2,0
						23B	900 075 083 02	hexagon-head bolt M 8 X 25		6	914-1,8/2,0
						24	022 256 501 A	heating air supply	/L	1	
						25	022 256 502 A	heating air supply	/R	1	
(17)	021 256 321 D	cover for heating air supply M ANO 006 503>> M GB0 009 016>>	/R	1	914-1,8/1,8V 914-2,0	26	022 256 511	clip		2	
						27	N 011 652 1	washer 7		16	
18	021 256 322 B	cover for heating air supply M >> W0 250 000 M >> ANO 006 502 M >> GB0 009 015	/L	1	914-4/1,7 914-1,8V/2,0	28	N 010 710 8	pan-head screw AM 6 X 10		16	
						29	473 261 193	blower		1	914-4
						30	473 261 207	bracket		1	914-4
						31	900 025 007 02	washer A 8,4		3	914-4

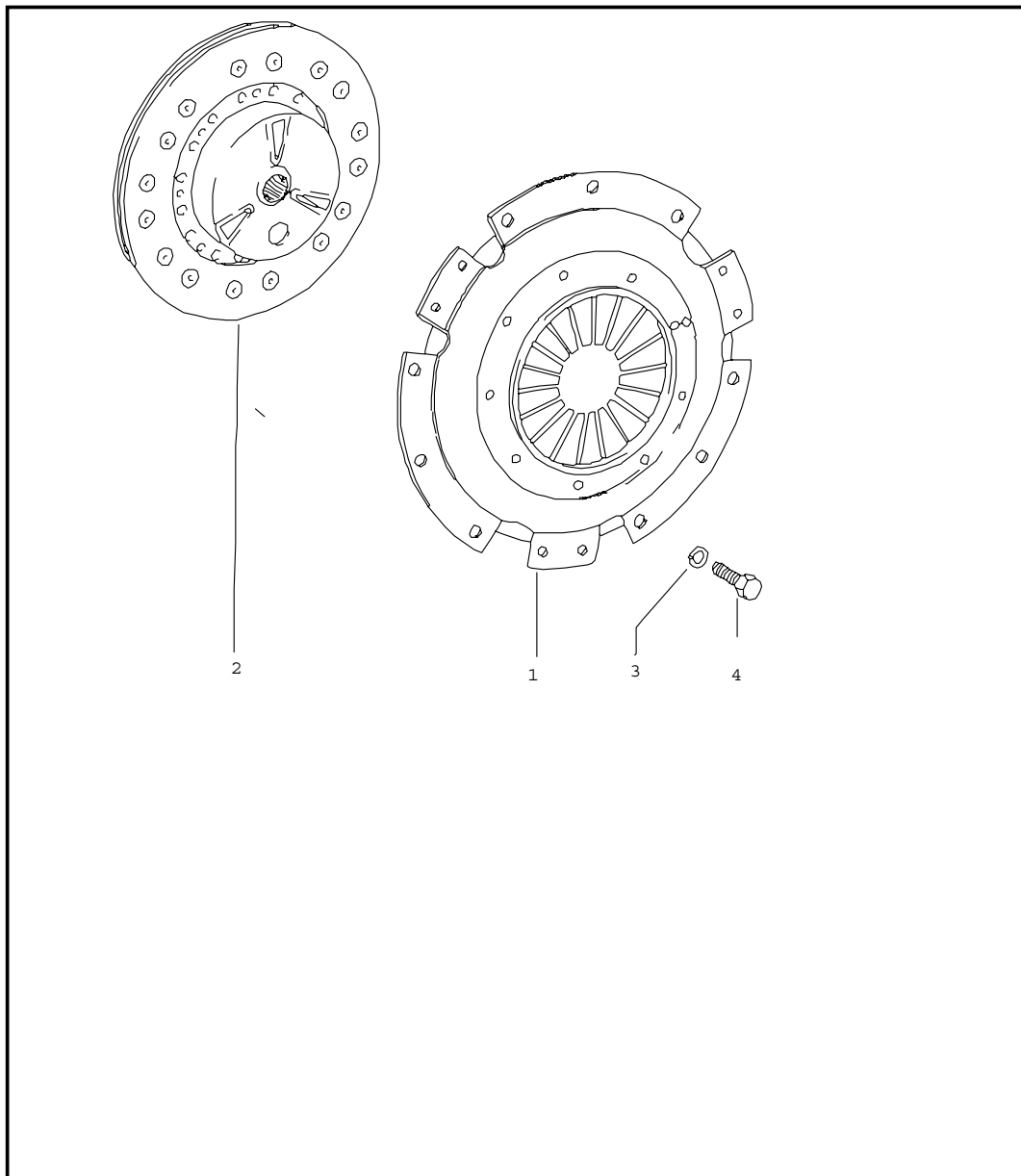
Model	Year	MG	SG	Illustration	Restrictions	Update	11:12	23.08.2006	PORSCHE	PET	PORSCHE
914	76	2	02	202-15		203					

Pos	Part Number	Name	Remarks	Qty	Model	Pos	Part Number	Name	Remarks	Qty	Model
32	N 011 524 7	washer A 6,4		3	914-4	-	111 501 159 B	hose clamp		1	914-1,7/2,0
33	113 251 273	hexagon nut M 6 self-locking		3	914-4	-	999 591 372 00	terminal		2	914-1,7/2,0
34	PCG 261 233	heater hose \$ 61 X 420 MM	/L	1	914-4			- - - E N D - - -			
35	461 261 235 A	heater hose \$ 60,2 X 960 MM	/R	1	914-4						
36	111 501 159 B	hose clamp \$ 44 - 64 MM		4	914-4						
37	473 261 267	support		1	914-4						
38	461 261 269	clip		1	914-4						
39	N 012 006 4	lock ring A6		3	914-4						
40	N 014 141 2	oval-head sheetmetal screw AM 6 X 18		1	914-4						
41	N 014 140 5	oval-head screw AM 6 X 15		1	914-4						
42	411 963 009	retainer plate		1	914-4						
43	411 963 011	brush		2	914-4						
44	311 955 853	spring		2	914-4						
45	411 963 013	grommet		1	914-4						
46	411 963 015	bonded rubber mounting		4	914-4						
47	411 963 017	armature		1	914-4						
48	N 013 956 2	oval-head sheetmetal screw B 3,5 X 6,5		6	914-4						
-	914 572 011 10	additional blower		1	914-1,7/2,0						
-	914 572 273 10	rubber base		1	914-1,7/2,0						
-	999 512 207 02	clip		1	914-1,7/2,0						
-	914 572 129 10	distributing piece		1	914-1,7/2,0						
-	A PCG 261 235 A	air hose \$ 55 X 460		1	914-1,7/2,0						
-	PCG 261 235 A	flexible pipe \$ 55 X 460		1	914-1,7/2,0						

Model	Year	MG	SG	Illustration	Restrictions	Update	11:12	23.08.2006
914	76	2	98	298-00		203		

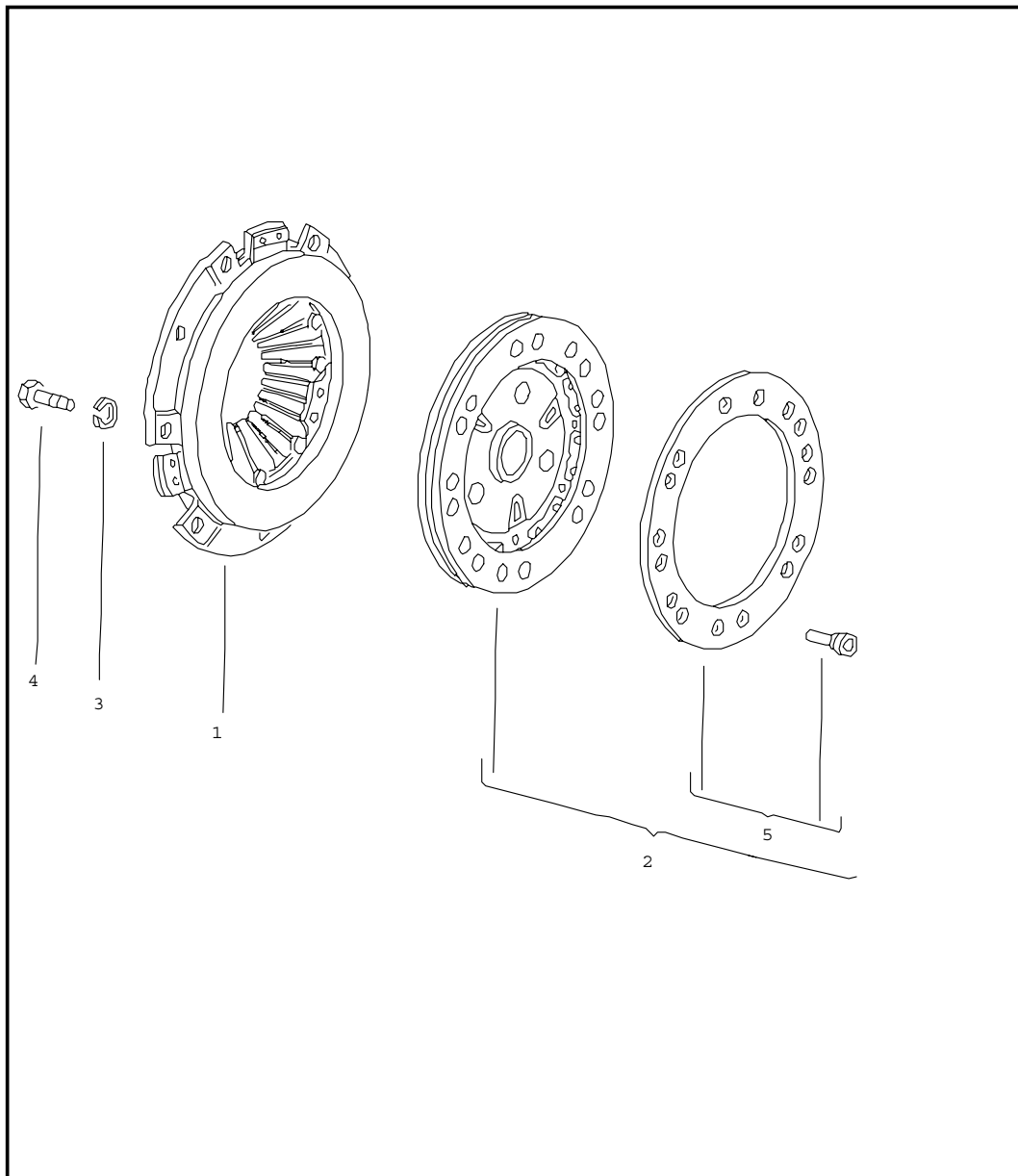
Pos	Part Number	Name	Remarks	Qty	Model
>>	> 901 108 948 01	set of seals gasket set for mixture control unit - WEBER - complete comprising:		X	
-	901 108 398 01	gasket		6	
-	901 108 398 01	gasket without asbestos for mixture control unit		6	
-	901 108 218 00	gasket for connecting piece		2	
-	N 013 818 4	sealing ring A 12 X 16		4	
-	PCG 100 914 00	sealing ring		4	
-	901 100 915 00	sealing ring		4	
-	901 100 937 00	sealing ring		2	
-	901 100 916 00	sealing ring		2	
-	901 100 917 00	sealing ring		4	
-	901 100 946 00	diaphragm		2	
-	901 100 998 00	sealing ring		3	
-	901 100 977 00	sealing ring		6	
-	901 100 918 00	sealing ring		2	
-	901 100 919 00	sealing ring		6	
-	901 100 990 01	sealing ring 10 X 14 X 1 MM		4	
-	901 100 995 00	sealing ring 10 X 14 X 0,25 MM		4	
-	901 100 996 00	sealing ring 10 X 14 X 0,5 MM		4	
-	901 100 998 00	sealing ring		6	
		- - - E N D - - -			

Model	Year	MG	SG	Illustration	Restrictions	Update	11:13	23.08.2006	PORSCHE	PET	PORSCHE
914	76	3	01	301-00		203					



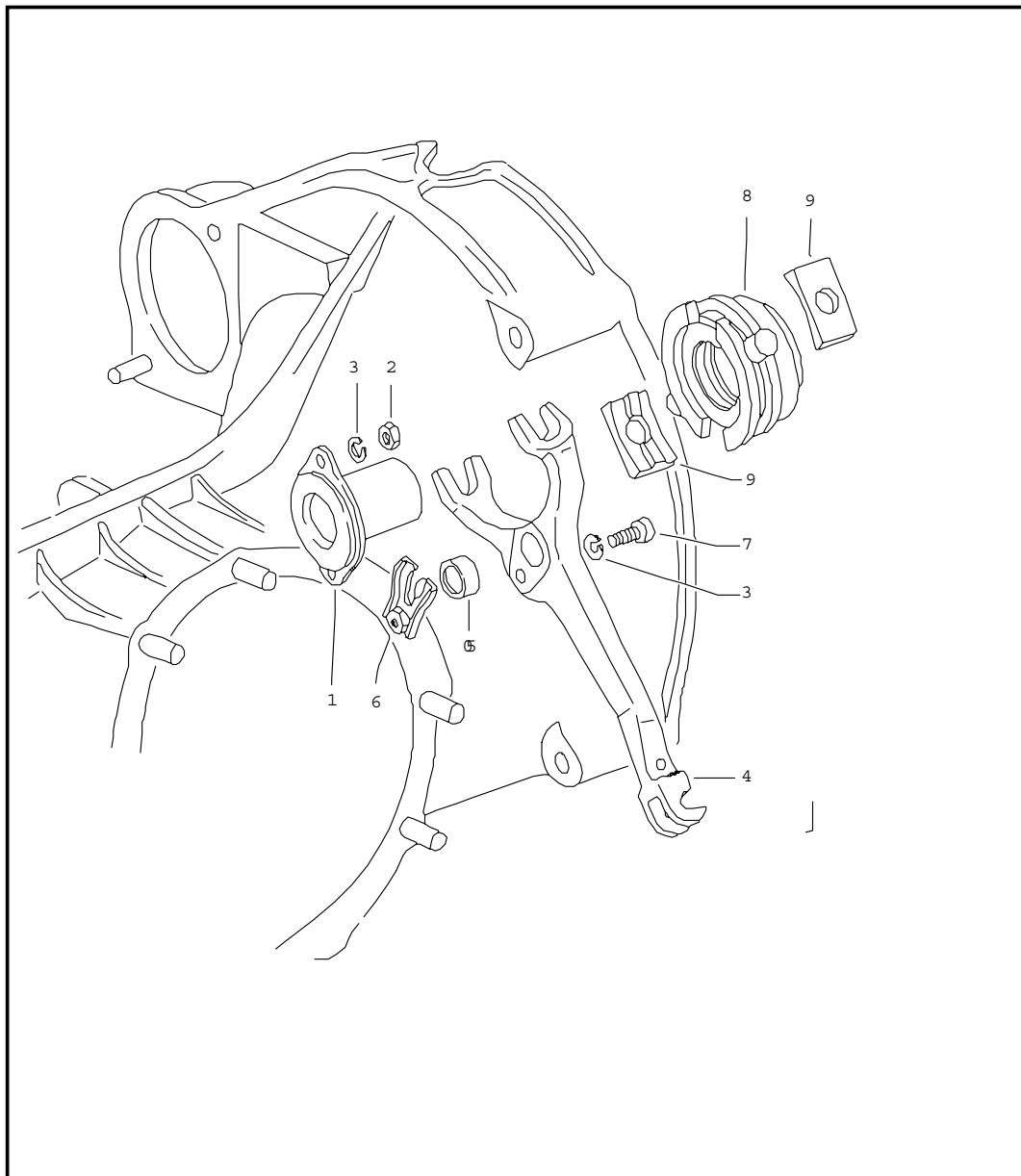
Pos	Part Number	Name	Remarks	Qty	Model
		clutch			914-6
1	901 116 001 01	pressure plate		1	
2	PCG 116 011 05	clutch plate		1	
3	900 027 015 02	lock ring B 8		6	
4	900 075 104 01	hexagon-head bolt B 8 X 15		6	
- - - E N D - - -					

Model	Year	MG	SG	Illustration	Restrictions	Update	11:13	23.08.2006	PORSCHE	PET	PORSCHE
914	76	3	01	301-05		203					



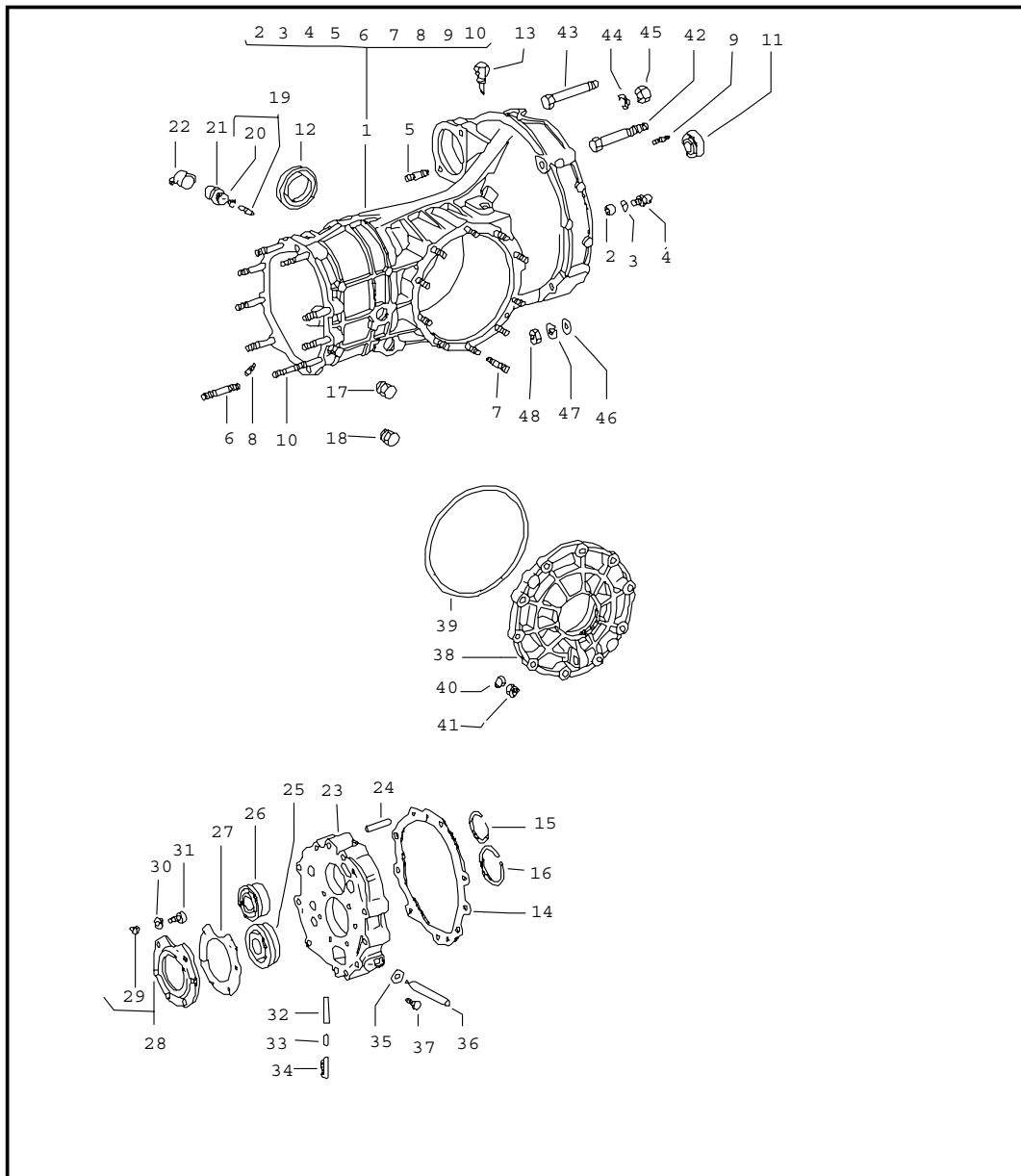
Pos	Part Number	Name	Remarks	Qty	Model
		clutch			914
1	901 116 001 01	pressure plate		1	
2	PCG 116 011 05	clutch plate 215		1	
3	900 027 015 02	lock ring B 8		6	
4	900 075 078 02	hexagon-head bolt M 8 X 15		6	914-4/1,7 914-1,8V/1,8
(4)	N 010 239 11	hexagon-head bolt M 8X 18		6	914-2,0
- - - E N D - - -					

Model	Year	MG	SG	Illustration	Restrictions	Update	11:13	23.08.2006	PORSCHE	PET	PORSCHE
914	76	3	01	301-10		203					



Pos	Part Number	Name	Remarks	Qty	Model
		clutch release			
1	901 116 087 11	guide tube		1	
2	900 076 010 02	hexagon nut M 6		2	
3	900 027 014 01	lock ring B 6		3	
4	901 116 712 00	release fork		1	
5	901 116 741 01	bush		1	
6	901 116 077 01	retaining bracket		1	
7	900 067 009 02	pan-head screw M 6 X 15		1	
8	901 116 081 11	clutch release bearing		1	
9	901 116 825 11	guide piece for clutch release bearing		2	
		- - - E N D - - -			

Model	Year	MG	SG	Illustration	Restrictions	Update	11:13	23.08.2006	PORSCHE	PET	PORSCHE
914	76	3	02	302-00		203					



Pos	Part Number	Name	Remarks	Qty	Model
-	914 300 012 03	replacement transmission transmission case manual transmission complete 914.300/01 1st gear 11:34 2nd gear 18:32 3rd speed 23:28 4th speed 27:25 5th speed 29:22		1	914-6
-	914 300 012 13	manual transmission		1	914-4
-	914 300 012 X	manual transmission exchange complete 914.300/11 1st gear 11:34 2nd gear 18:34 3rd speed 23:29 4th speed 27:25 5th speed 31:22		1	914-1,7/1,8V 914-1,8/2,0
-	914 300 010 05	transmission		1	SPM

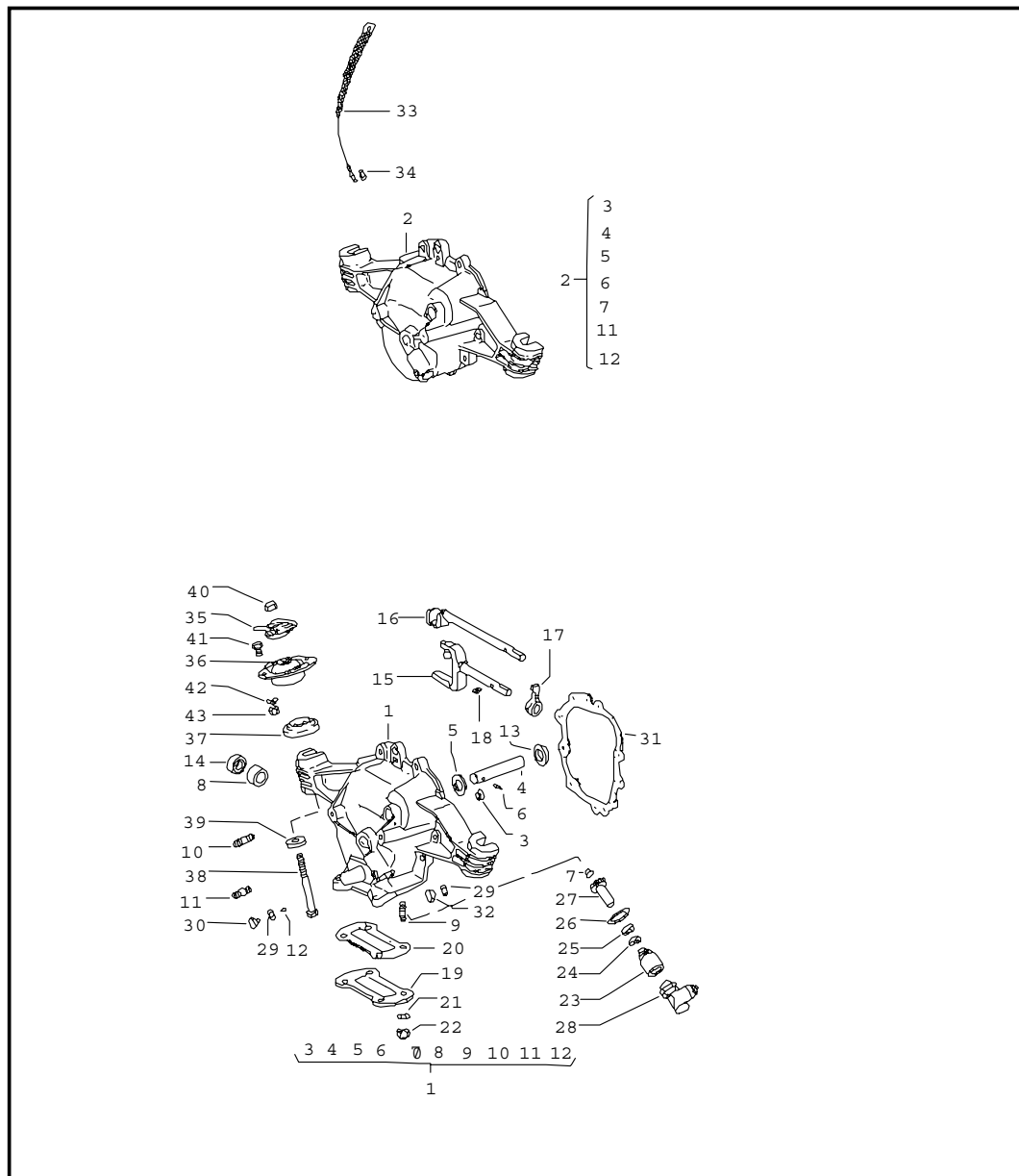
Model	Year	MG	SG	Illustration	Restrictions	Update	11:13	23.08.2006	PORSCHE	PET	PORSCHE
914	76	3	02	302-00		203					

Pos	Part Number	Name	Remarks	Qty	Model	Pos	Part Number	Name	Remarks	Qty	Model
-	914 300 010 EX	transmission exchange with converter ready for installation 914.300/05 1st gear 15:36 2nd gear 20:31 3rd speed 24:27 4th speed 28:24		1		(14) *	901 301 191 22	gasket for transmission case 0,15 MM		X	
						(14) *	901 301 191 23	gasket for transmission case 0,2 MM		X	
						15	999 042 301 01	snap ring SB 52		2	
						16	999 041 305 01	snap ring SB 79		1	
1	914 301 010 01	transmission case		1		17	999 064 019 02	screw plug		1	
2	999 504 040 02	bush M 8 X 9		1		18	999 064 020 02	screw plug with magnet		1	
3	900 025 007 02	washer 8,4		1		19	901 303 017 01	cam follower		1	
4	901 116 771 01	ball pin		1		20	N 012 432 1	lock washer 2,3		1	
5	900 061 014 02	stud BM 10 X 22		1		21	914 613 541 02	back-up light switch		1	
6	999 062 046 02	stud BM 8 X 65		7		22	914 613 491 00	rubber cap		1	
7	999 062 044 02	stud BM 8 X 32		10		23	911 301 221 00	intermediate plate		1	
8	900 061 057 02	stud BM 8 X 15		2	914-6/4	24	900 012 028 00	straight pin 10 M 6 X 50		2	
8	999 062 007 02	stud BM 8 X 22		2	914-1,7/1,8V 914-1,8/2,0	25	999 052 016 00	four-point bearing		1	
9	999 062 001 02	stud BM 6 X 10		2		26	999 053 025 00	angular-contact bearing two-row		1	
10	900 061 163 02	stud BM 8 X 60		2		27	901 301 255 13	plate		1	
11	* 113 311 113 B	sealing ring		1		28	901 301 035 13	tensioning plate		1	
12	* 999 113 183 40	radial shaft seal 45 X 68 X 10		2		29	999 504 049 00	heli-coil M 8		6	
13	904 301 071 00	bleeder		1		30	900 025 007 02	washer 8,4		6	
14	* 901 301 191 21	gasket for transmission case 0,1 MM		1		31	999 509 010 00	pan-head screw		6	
						32	901 303 241 01	bush for gear lock detent		1	

Model	Year	MG	SG	Illustration	Restrictions	Update	11:13	23.08.2006	PORSCHE	PET	PORSCHE
914	76	3	02	302-00		203					

Pos	Part Number	Name	Remarks	Qty	Model	Pos	Part Number	Name	Remarks	Qty	Model
33	901 303 242 01	bush for gear lock detent		1		46	900 031 005 02	washer 10,5		2	914-6
34	901 303 243 01	bush for gear lock detent		1		46	900 031 005 02	washer 10,5		3	914-4/1,7 914-1,8/1,8V 914-2,0
35	900 031 001 02	washer 8,4		1		47	N 015 375 1	lock washer M 10		2	
36	914 301 307 00	bolt for reverse lever		1	914-6	48	900 157 002 02	hexagon nut M 10		2	914-6
37	N 010 235 3	hexagon-head bolt M 8 X 10		1	914-4/1,7 914-1,8/1,8V 914-2,0	48	N 011 010 6	hexagon nut M 10		3	914-4/1,7 914-1,8/1,8V 914-2,0
38	914 301 311 01	transmission cover lateral		1							
39	* 113 301 185 A	gasket for transmission cover lateral		1							
40	900 031 001 02	washer 8,4		8							
41	999 090 101 02	mid-grip nut self-locking mount engine transmission		10							
42	900 155 023 02	hexagon-head bolt M 10 X 72		1	914-6						
42	900 155 026 02	hexagon-head bolt M 10 X 85		1	914-4/1,7 914-1,8/1,8V 914-2,0						
43	900 067 074 02	pan-head screw M 10 X 110		1	914-6						
43	N 010 500 3	hexagon-head bolt M 10 X 115		1	914-4/1,7 914-1,8/1,8V 912-2,0						
44	N 012 242 1	spring washer B 10 X 18		2							
45	N 011 133 1	hexagon nut M 10		2	914-4/1,7 914-1,8/1,8V 914-2,0						
								- - - E N D - - -			

Model	Year	MG	SG	Illustration	Restrictions	Update	11:13	23.08.2006	PORSCHE	PET	PORSCHE
914	76	3	02	302-05		203					

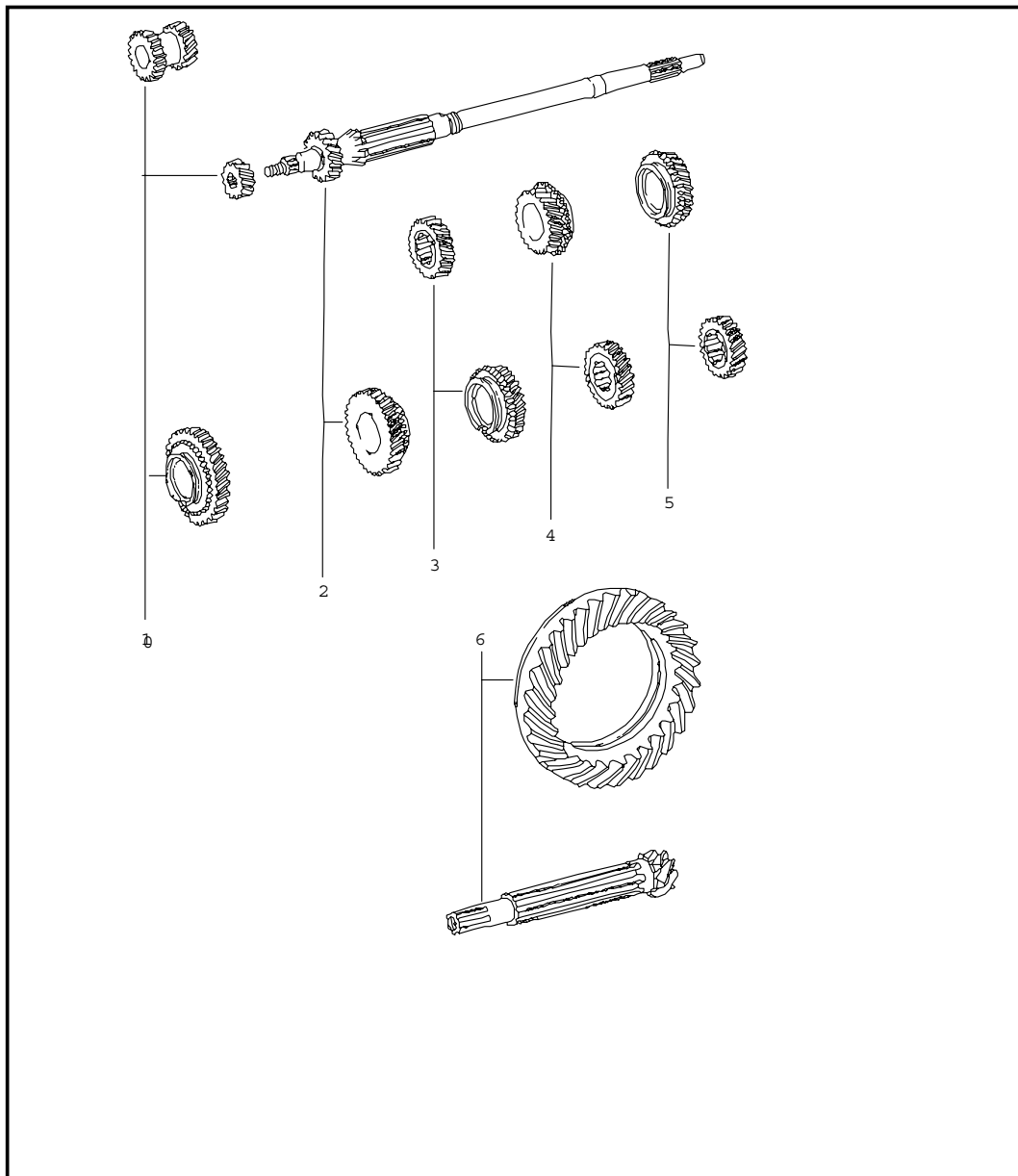


Pos	Part Number	Name	Remarks	Qty	Model
1	914 301 031 02	transmission cover rear		1	914-6
(1)	914 301 031 03	transmission cover rear		1	914-4
2	914 301 032 00	transmission cover rear		1	914-1,7/1,8V 914-1,8/2,0
3	901 318 244 01	bearing sleeve		1	
4	901 302 255 01	bolt for reverse idler gear		1	
5	901 302 296 01	thrust washer for reverse idler gear		1	
6	900 095 019 01	tensioning sleeve 5 X 30		1	
7	901 318 273 01	bolt		1	
8	914 303 121 01	bush		1	914-6/4
9	999 062 055 02	stud BM 6 X 12		4	914-6/4
10	900 061 004 02	stud BM 8 X 12		2	914-4
11	900 061 073 02	stud BM 8 X 16		2	
12	999 504 070 00	threaded insert M 8 X 1,0		1	
13	901 302 266 01	thrust washer		1	
14	* 900 112 029 50	radial sealing ring A 14 X 24 X 7		1	914-6/4
15	914 303 011 02	shaft		1	914-6
16	914 303 301 01	shaft		1	914-4
17	914 303 013 01	gearshift lever		1	914-6/4
18	900 309 003 00	roll pin 5 X 24		1	914-6/4

Model	Year	MG	SG	Illustration	Restrictions	Update	11:13	23.08.2006	PORSCHE	PET	PORSCHE
914	76	3	02	302-05		203					

Pos	Part Number	Name	Remarks	Qty	Model	Pos	Part Number	Name	Remarks	Qty	Model
19	914 301 313 00	cover for transmission cover rear		1	914-6/4	38	900 082 044 02	hexagon-head bolt M 12 X 1,5 X 125		2	
20	* 914 301 391 00	gasket		1	914-6/4	39	914 375 239 00	washer		2	
21	999 025 108 02	washer 6,4 X 14		4	914-6/4	40	N 021 191 5	lock nut M 12 X 1,5		2	
22	999 084 018 02	lock nut U 105.6		4	914-6/4	41	900 075 085 02	hexagon-head bolt M 8 X 20		4	
23	901 318 243 12	guide bush		1		42	900 025 007 02	washer 8,4		4	
24	914 318 261 01	sealing washer		1		43	900 910 022 02	hexagon nut		4	
25	* 999 113 036 50	radial sealing ring BA 10 X 18 X 6		1				- - - E N D - - -			
26	* 999 701 084 50	o-ring 25,3 - 2,4		1							
27	901 318 333 01	shaft for speedometer drive		1	914-6						
27	914 318 333 10	shaft for speedometer drive		1	914-4/1,7 914-1,8/1,8V 914-2,0						
28	914 318 029 01	angled pipe		1							
29	900 031 001 02	washer 8,4		9							
30	901 318 272 03	hexagon-head bolt		1							
31	* 901 301 392 12	gasket for transmission cover		1							
32	999 090 101 02	mid-grip nut		9							
33	999 611 919 20	ground strap		1							
34	999 151 022 02	washer 20 X 8,4 X 2		2							
35	914 375 058 01	base upper		2							
36	914 375 026 00	transmission mounting		2	914-6						
36	914 375 025 00	transmission mounting		2							
37	914 375 237 00	washer lower		2							

Model	Year	MG	SG	Illustration	Restrictions	Update	11:14	23.08.2006	PORSCHE	PET	PORSCHE
914	76	3	03	303-00		203					

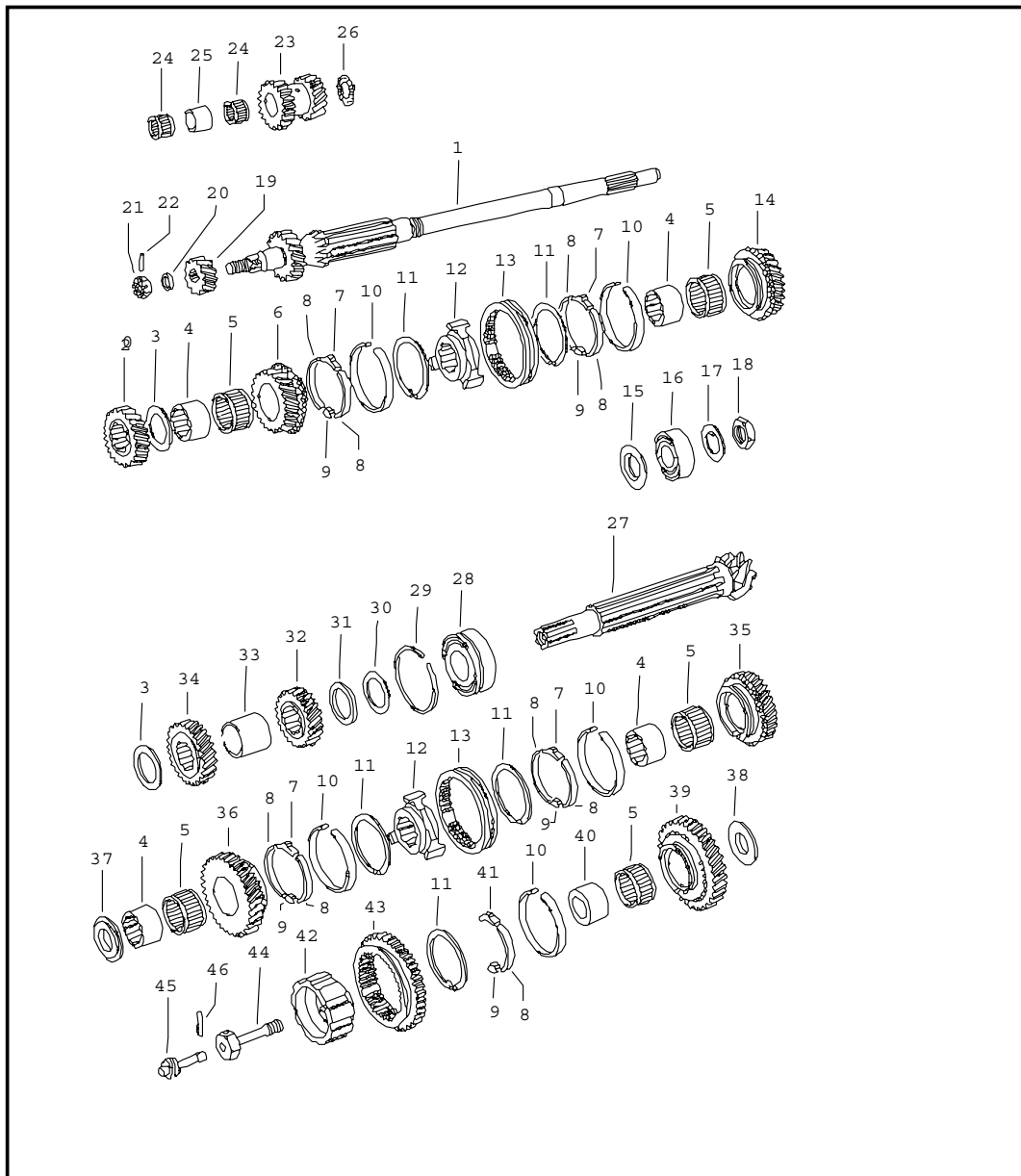


Pos	Part Number	Name	Remarks	Qty	Model
		gear sets for 5-speed transmission			914.300/01 914.300/11 914.300/12
1	911 302 903 00	gear set 1st gear Z = 11:34 (A) fixed gear wheel loose gear wheel reverse idler gear		1	
2	911 302 907 00	drive shaft and gear wheel II 2nd gear Z = 18:32 (GA) drive shaft loose gear wheel		1	914-6
2	016 311 103	drive shaft and gear wheel II 2nd gear Z = 18:34 drive shaft loose gear wheel		1	
3	904 302 916 10	gear wheel pair 3rd speed Z = 23:28 (O/3) fixed gear wheel loose gear wheel		1	914-6
3	904 302 916 10	gear wheel pair 3rd speed Z = 23:28 fixed gear wheel loose gear wheel		1	
4	904 302 930 10	gear wheel pair 4th speed Z = 27.25 (V) fixed gear wheel loose gear wheel		1	
5	911 302 906 00	gear wheel pair 5th speed Z = 29:22 (ZA) fixed gear wheel loose gear wheel		1	914-6

Model	Year	MG	SG	Illustration	Restrictions	Update	11:14	23.08.2006	PORSCHE	PET	PORSCHE
914	76	3	03	303-00		203					

Pos	Part Number	Name	Remarks	Qty	Model	Pos	Part Number	Name	Remarks	Qty	Model
5	016 311 359	gear wheel pair 5th speed Z = 31:22 fixed gear wheel loose gear wheel		1							
6	901 302 901 02	ring gear and pinion shaft 7:31 - - - E N D - - -		1							

Model	Year	MG	SG	Illustration	Restrictions	Update	11:14	23.08.2006	PORSCHE	PET	PORSCHE
914	76	3	03	303-05		203					



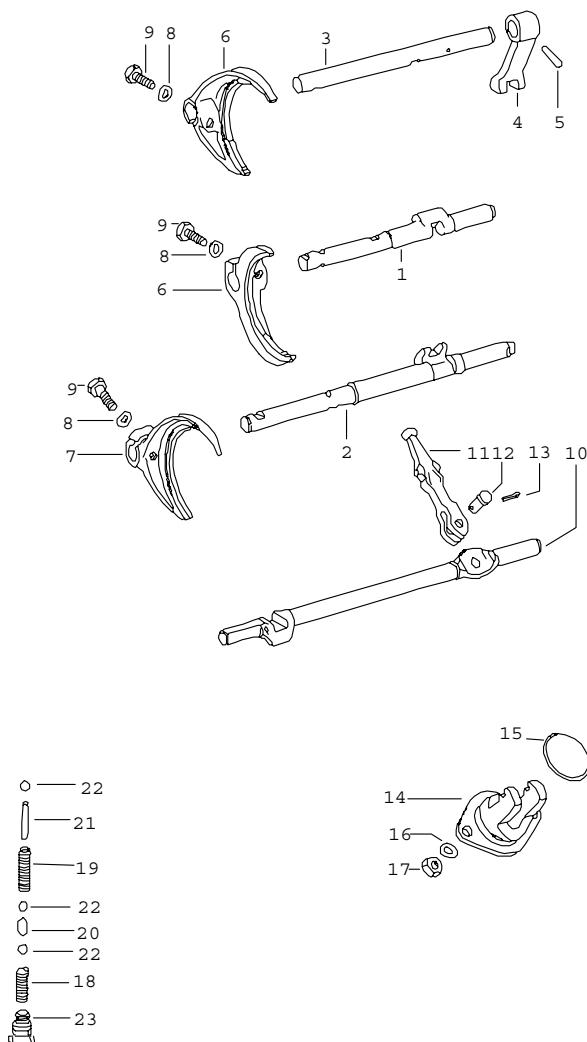
Pos	Part Number	Name	Remarks	Qty	Model
		gears and shafts			
		gear sets see group 3/03/00			
1	* --- --- --- ---	drive shaft		1	
2	* --- --- --- ---	fixed gear wheel 3rd speed		1	
3	901 302 294 01	thrust washer		2	
4	901 302 261 01	bush for needle-roller bearing	2. - 5th speed	4	
5	999 201 470 00	needle cage	1. - 5th speed	5	
6	* --- --- --- ---	loose gear wheel 4th speed		1	
7	911 302 315 00	stone	2. - 5th speed	4	
8	911 302 316 00	brake band	1. - 5th speed	9	
9	911 302 317 01	stop	1. - 5th speed	5	
10	911 302 301 06	synchroniser ring	1. - 5th speed	5	
11	911 302 311 01	circlip	1. - 5th speed	5	
12	901 302 402 02	guide sleeve	2. - 5th speed	2	
13	911 302 411 10	shift sleeve	2. - 5th speed	2	
14	* --- --- --- ---	loose gear wheel 5th speed		1	
15	901 302 268 01	spacer		1	

Model	Year	MG	SG	Illustration	Restrictions	Update	11:14	23.08.2006	PORSCHE	PET	PORSCHE
914	76	3	03	303-05		203					

Pos	Part Number	Name	Remarks	Qty	Model	Pos	Part Number	Name	Remarks	Qty	Model
16	999 110 008 00	cylindrical-roller bearing		1		38	901 302 291 01	thrust washer		1	
17	999 038 001 00	tab washer		1		39	* --- --- --- --	loose gear wheel 1st gear		1	
18	999 183 001 00	hexagon nut		1		40	901 302 262 01	bush for needle-roller bearing 1st gear		1	
19	* --- --- --- --	fixed gear wheel 1st gear		1		41	901 302 318 02	stone 1st gear		1	
20	999 031 066 00	washer		1		42	901 302 401 02	guide sleeve 1st gear		1	
21	999 079 011 02	castle nut		1		43	911 302 226 00	shifting gear for 1st gear and reverse gear		1	
22	900 309 004 00	roll pin 3 X 18		1		44	901 302 271 01	elastic bolt		1	
23	* --- --- --- --	reverse idler gear		1		45	901 318 331 01	shaft		1	914-6
24	999 201 012 00	needle cage		2		45	914 318 331 10	shaft		1	914-4/1,7 914-1,8/1,8V 914-2,0
25	901 302 263 01	sleeve		1		46	900 197 002 00	tensioning sleeve 4 X 28		1	
26	999 202 001 00	axial needle bearing cage		1				- - - E N D - - -			
27	* --- --- --- --	drive shaft		1							
28	999 110 007 00	cylindrical-roller bearing		1							
29	900 111 002 00	snap ring SP 72		1							
30	901 302 297 01	adjusting shim 0,25 MM		X							
30	901 302 297 11	adjusting shim 0,30 MM		X							
30	901 302 297 21	adjusting shim 0,40 MM		X							
31	901 302 298 01	spacer		1							
32	* --- --- --- --	fixed gear wheel 5th speed		1							
33	901 302 265 01	spacer sleeve		1							
34	* --- --- --- --	fixed gear wheel 4th speed		1							
35	* --- --- --- --	loose gear wheel 3rd speed		1							
36	* --- --- --- --	loose gear wheel 2nd gear		1							
37	901 302 269 01	thrust washer		1							

Model	Year	MG	SG	Illustration	Restrictions	Update	11:14	23.08.2006	PORSCHE	PET	PORSCHE
914	76	3	04	304-00		203					

Bis Ende Mod. 72



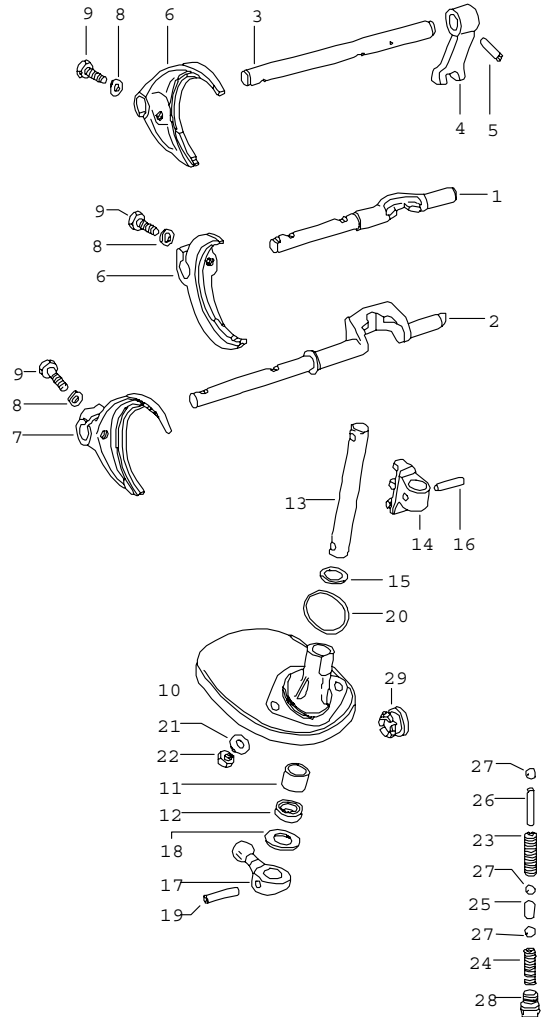
Pos	Part Number	Name	Remarks	Qty	Model
		shift rods forks for 5-speed transmission	-72		914.300/01 914.300/11
1	901 303 101 01	gear shift rod 2. - 3rd speed		1	
2	914 303 141 00	gear shift rod 1st gear and reverse gear		1	
3	901 303 103 01	gear shift rod 4. - 5th speed		1	
4	901 303 161 01	contact		1	
5	900 309 003 00	roll pin 5 X 24		1	
6	901 303 111 01	shift fork 2. - 5th speed		2	
7	901 303 151 01	shift fork 1st gear and reverse gear		1	
8	N 012 241 1	spring washer B 8 X 15		3	
9	900 075 083 02	hexagon-head bolt B 8 X 25		3	
10	914 303 131 01	gear shift rod		1	
11	901 303 133 01	shift lever		1	
12	901 303 171 01	bolt		1	
13	N 012 512 1	cotter pin 2 X 12		1	
14	911 303 129 00	fork		1	
15	* 999 701 359 40	o-ring		1	
(15)	* 901 303 191 01	gasket		1	
16	900 027 015 02	lock ring B 8		2	

Model	Year	MG	SG	Illustration	Restrictions	Update	11:14	23.08.2006	PORSCHE	PET	PORSCHE
914	76	3	04	304-00		203					

Pos	Part Number	Name	Remarks	Qty	Model	Pos	Part Number	Name	Remarks	Qty	Model
17	900 076 025 02	hexagon nut M 8		2							
18	901 303 231 01	spring reversing gear lock		1							
19	901 303 232 01	compression spring for gear lock detent 2. - 5th speed		1							
20	901 303 211 01	detent		1							
21	901 303 271 01	pin		1							
22	N 025 667 2	ball 9 MM		3							
23	999 065 004 02	screw plug		1							
		- - - E N D - - -									

Model	Year	MG	SG	Illustration	Restrictions	Update	11:14	23.08.2006	PORSCHE	PET	PORSCHE
914	76	3	04	304-05		203					

Ao Mod. 73

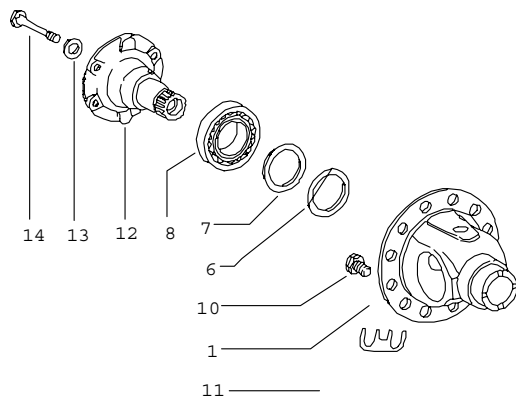
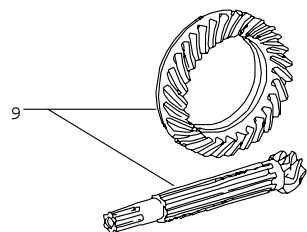
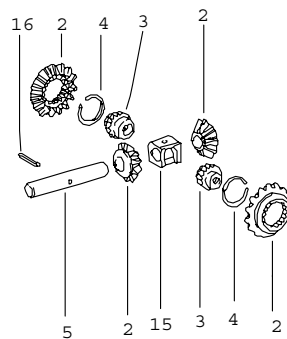


Pos	Part Number	Name	Remarks	Qty	Model
		shift rods forks for 5-speed transmission	73-		914.300/12
1	914 303 103 00	gear shift rod 2. - 3rd speed		1	
2	914 303 141 02	gear shift rod 1st gear and reverse gear		1	
3	901 303 103 01	gear shift rod 4. - 5th speed		1	
4	914 303 161 00	contact		1	
5	900 309 003 00	roll pin 5 X 24		1	
6	901 303 111 01	shift fork 2. - 5th speed		2	
7	901 303 151 01	shift fork 1st gear and reverse gear		1	
8	N 012 241 1	spring washer B 8 X 15		3	
9	900 075 083 02	hexagon-head bolt M 8 X 25		3	
10	914 303 127 01	bearing bracket		1	
11	914 303 273 00	bush		1	
12	* 900 112 001 50	shaft seal B 15 X 24 X 7		1	
13	914 303 115 01	shift rod		1	
14	914 303 117 00	shift finger		1	
15	914 303 171 00	washer upper		1	
16	900 309 008 00	roll pin 6 X 24		1	
17	914 303 129 00	ball pin		1	

Model	Year	MG	SG	Illustration	Restrictions	Update	11:14	23.08.2006	PORSCHE	PET	PORSCHE
914	76	3	04	304-05		203					

Pos	Part Number	Name	Remarks	Qty	Model	Pos	Part Number	Name	Remarks	Qty	Model
18	914 303 173 00	washer lower		1							
19	900 309 001 00	roll pin 6 X 32		1							
20	* 999 701 359 40	o-ring OR 40 X 1,5		1							
21	900 031 001 02	washer 8,4		2							
22	999 090 101 02	mid-grip nut		2							
23	901 303 231 01	spring reversing gear lock		1							
24	901 303 232 01	compression spring for gear lock detent 2. - 5th speed		1							
25	901 303 211 01	detent for gear lock detent		1							
26	901 303 271 01	pin for gear lock detent		1							
27	N 025 667 2	ball 9 MM		3							
28	999 065 004 02	screw plug		1							
29	914 424 224 02	friction ring		1							
		- - - E N D - - -									

Model	Year	MG	SG	Illustration	Restrictions	Update	11:15	23.08.2006	PORSCHE	PET	PORSCHE
914	76	3	05	305-00		203					

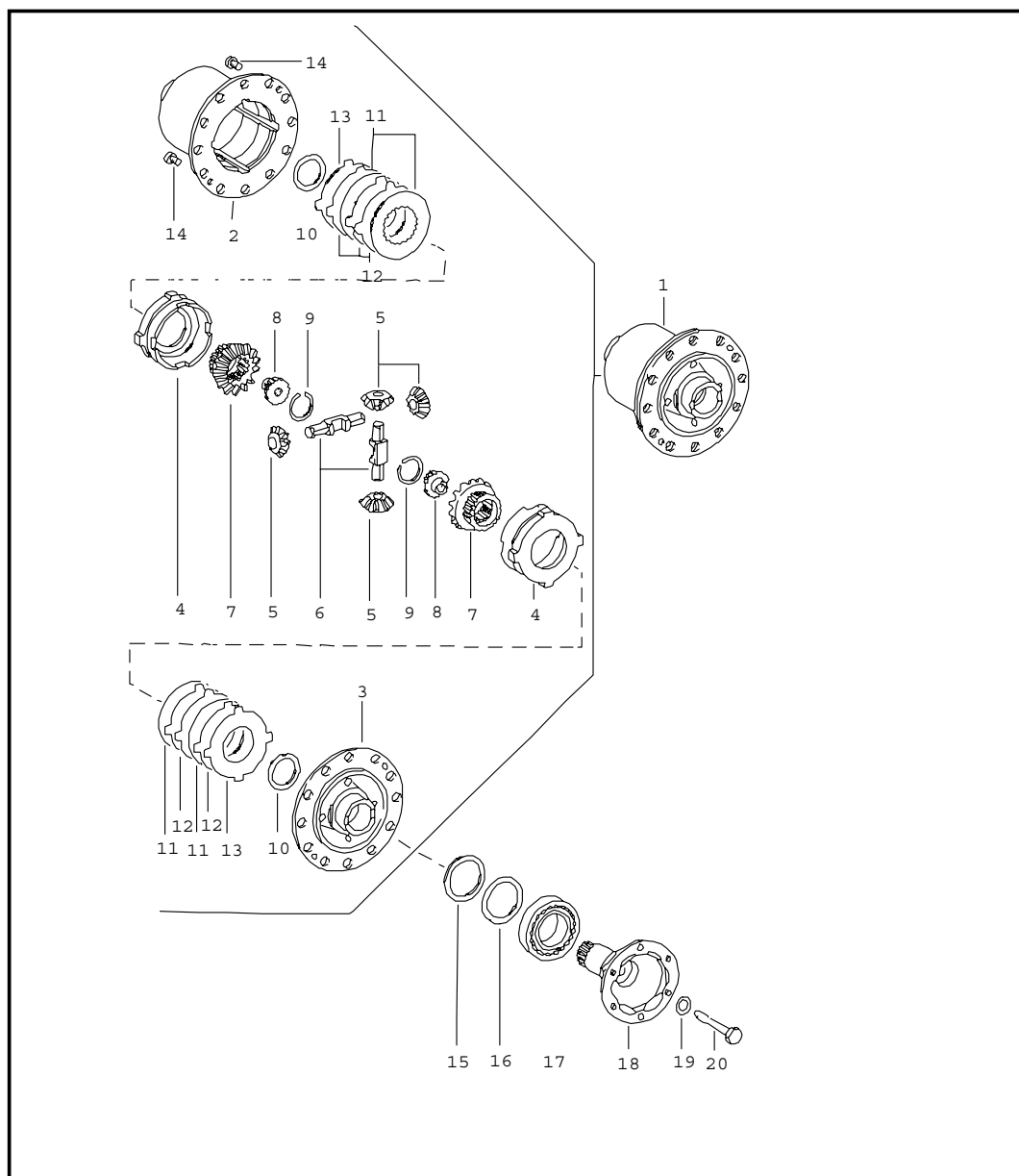


Pos	Part Number	Name	Remarks	Qty	Model
		differential manual transmission			
		differential SPM			
		see group 3/10/00			
1	911 332 212 00	housing		1	914-6
1	914 332 212 00	transmission case		1	
2	911 332 902 00	differential pinions 1 set		1	914-6
2	911 332 902 00	differential pinions	WW	1	
2	016 598 081	1 set differential pinions		1	914-4/1,7 914-1,8/1,8V 914-2,0
3	911 332 206 01	threaded piece		2	
4	999 152 014 00	snap ring SW 32		2	914-6
4	N 023 632 1	snap ring A 32 X 1,5		2	
5	911 332 207 00	differential bolt		1	
6	915 332 265 00	adjusting ring 2,4 MM		X	
6	915 332 265 01	adjusting ring 2,5 MM		X	
6	915 332 265 02	adjusting ring 2,6 MM		X	
6	915 332 265 03	adjusting ring 2,7 MM		X	
6	915 332 265 04	adjusting ring 2,8 MM		X	
6	915 332 265 05	adjusting ring 2,9 MM		X	
6	915 332 265 06	adjusting ring 3,0 MM		X	
6	915 332 265 07	adjusting ring 3,1 MM		X	
6	915 332 265 08	adjusting ring 3,2 MM		X	

Model	Year	MG	SG	Illustration	Restrictions	Update	11:15	23.08.2006	PORSCHE	PET	PORSCHE
914	76	3	05	305-00		203					

Pos	Part Number	Name	Remarks	Qty	Model	Pos	Part Number	Name	Remarks	Qty	Model
6	915 332 265 09	adjusting ring 3,3 MM		X							
6	915 332 265 10	adjusting ring 3,4 MM		X							
6	915 332 265 11	adjusting ring 3,5 MM		X							
6	915 332 265 12	adjusting ring 3,6 MM		X							
6	915 332 265 13	adjusting ring 3,7 MM		X							
7	915 332 263 00	washer		2							
8	999 059 027 00	taper roller bearing		2							
9	901 302 901 02	gear set drive shaft and seat 7 : 31		1							
10	901 332 276 00	hexagon-head bolt		12							
(10)	901 332 276 11	hexagon-head bolt only together with limited-slip differential		12							
11	901 332 285 01	tab washer		6							
12	914 332 209 01	joint flange		2							
13	901 332 261 11	washer		2	914-6						
13	914 332 261 00	washer		2							
14	901 332 275 12	elastic bolt		2							
15	911 332 208 00	armature		1							
16	900 308 005 00	roll pin 6 X 28		1	914-6						
16	N 022 055 1	roll pin		1							
		- - - E N D - - -									

Model	Year	MG	SG	Illustration	Restrictions	Update	11:15	23.08.2006	PORSCHE	PET	PORSCHE
914	76	3	05	305-05		203					

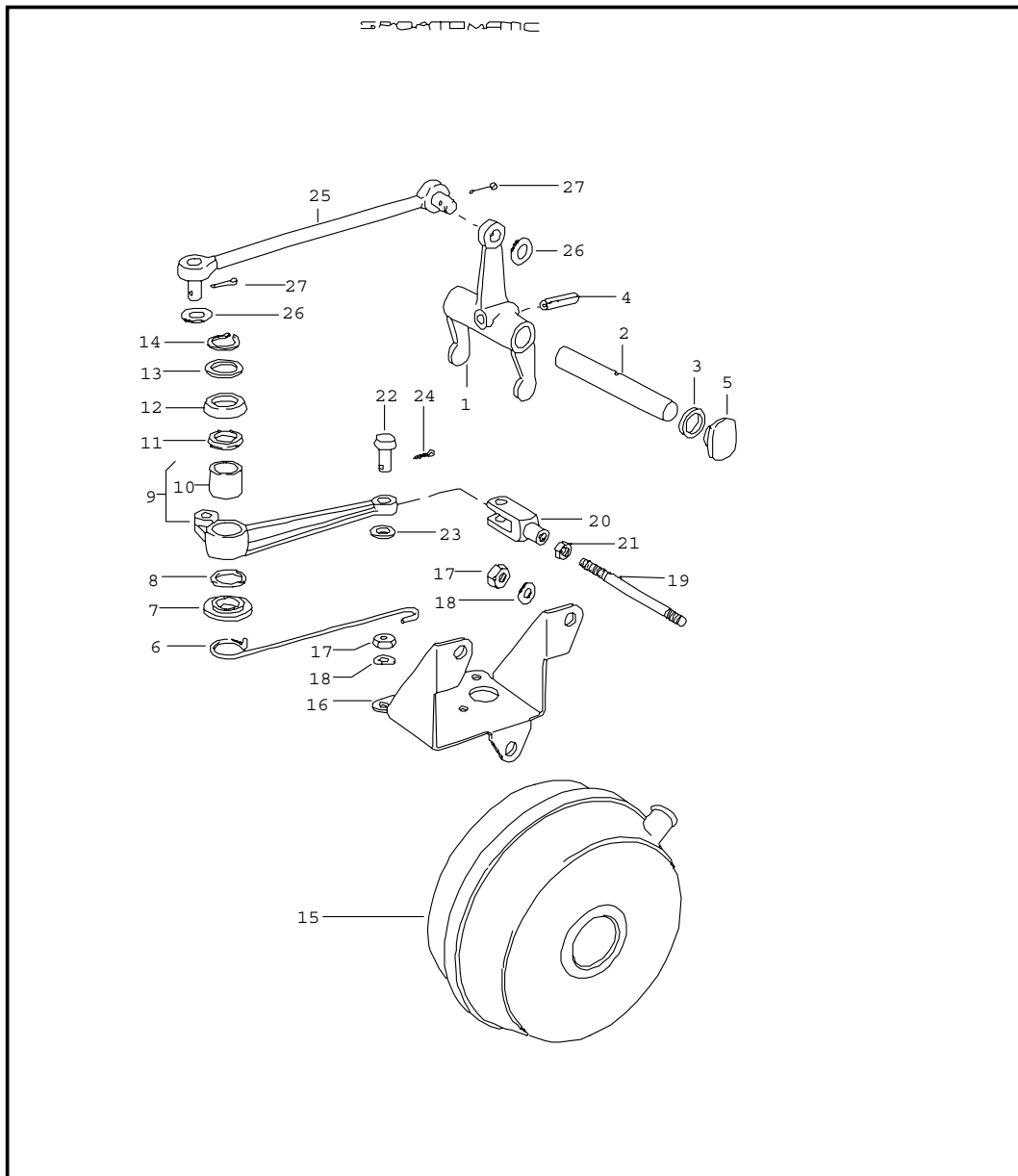


Pos	Part Number	Name	Remarks	Qty	Model
		limited-slip differential			
1	901 332 053 13	limited-slip differential		1	
2	901 332 055 13	housing		1	
3	901 332 506 11	cover		1	
4	901 332 511 11	thrust ring		2	
5	915 332 531 02	bevel pinion		4	
6	915 332 541 02	differential shaft		2	
7	901 332 535 11	shaft bevel gear		2	
8	901 332 206 12	threaded piece		2	
9	999 152 014 00	snap ring SW 32		2	
10	901 332 561 11	thrust washer		2	
11	917 332 551 10	inner disc 2,0 MM		4	
(11)	901 332 551 23	inner disc 2,1 MM		X	
12	901 332 552 11	disc with external splines		6	
13	928 332 555 00	cup spring		2	
14	900 119 002 00	pan-head screw M 6 X 10		2	
15	915 332 263 00	adjusting ring 0,25 MM		2	
16	915 332 265 00	adjusting ring 2,4 MM		X	
(16)	915 332 265 01	adjusting ring 2,5 MM		X	
(16)	915 332 265 02	adjusting ring 2,6 MM		X	
(16)	915 332 265 03	adjusting ring 2,7 MM		X	
(16)	915 332 265 04	adjusting ring 2,8 MM		X	
(16)	915 332 265 05	adjusting ring 2,9 MM		X	

Model	Year	MG	SG	Illustration	Restrictions	Update	11:15	23.08.2006	PORSCHE	PET	PORSCHE
914	76	3	05	305-05		203					

Pos	Part Number	Name	Remarks	Qty	Model	Pos	Part Number	Name	Remarks	Qty	Model
(16)	915 332 265 06	adjusting ring 3,0 MM		X							
(16)	915 332 265 07	adjusting ring 3,1 MM		X							
(16)	915 332 265 08	adjusting ring 3,2 MM		X							
(16)	915 332 265 09	adjusting ring 3,3 MM		X							
(16)	915 332 265 10	adjusting ring 3,4 MM		X							
(16)	915 332 265 11	adjusting ring 3,5 MM		X							
(16)	915 332 265 12	adjusting ring 3,6 MM		X							
(16)	915 332 265 13	adjusting ring 3,7 MM		X							
17	999 059 027 00	taper roller bearing		2							
18	914 332 209 00	joint flange		2							
19	914 332 261 00	washer		2							
20	901 332 275 12	elastic bolt		2							
		- - - E N D - - -									

Model	Year	MG	SG	Illustration	Restrictions	Update	11:15	23.08.2006	PORSCHE	PET	PORSCHE
914	76	3	07	307-00		203					

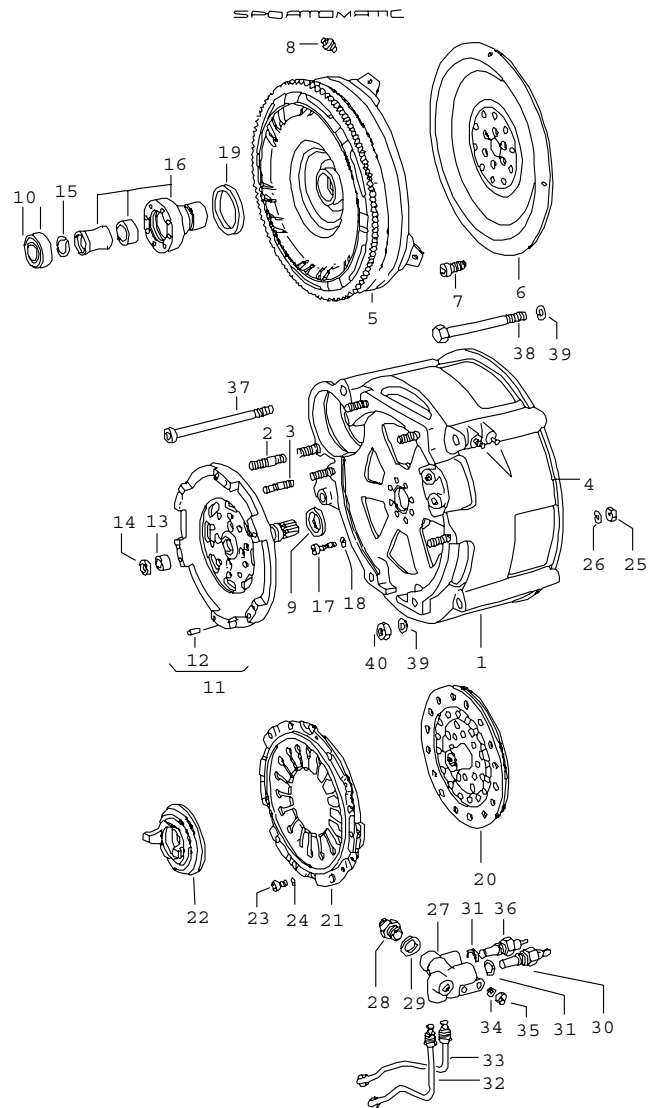


Pos	Part Number	Name	Remarks	Qty	Model
		clutch release			914-6:SPM
1	905 116 711 01	clutch release lever		1	
2	905 116 709 00	clutch lever shaft		1	
3	905 116 712 00	spacer ring		2	
4	900 095 013 00	tensioning sleeve 4 X 20		1	
5	905 116 713 00	cap		2	
6	905 116 714 00	spring		1	
7	905 116 708 00	washer		1	
8	999 701 169 40	o-ring		1	
9	905 116 071 00	intermediate shift lever		1	
10	905 116 701 01	bush		1	
11	905 116 719 01	spacer		1	
12	999 704 019 50	sleeve		1	
13	900 234 006 02	shim 15 X 22 X 1		1	
14	N 012 415 1	circlip 15 X 1		1	
15	905 116 721 01	servo-motor 135 X 60		1	
16	905 116 715 10	servo-motor support		1	
17	900 076 025 02	hexagon nut M 8		6	
18	900 027 015 02	lock ring B 6		6	
19	905 116 716 00	pull rod		1	
20	900 166 002 02	clevis G 6 X 24		1	
21	900 076 010 02	hexagon nut M 6		1	
22	905 116 717 00	bolt		1	
23	900 089 005 02	washer 6		1	

Model	Year	MG	SG	Illustration	Restrictions	Update	11:15	23.08.2006	PORSCHE	PET	PORSCHE
914	76	3	07	307-00		203					

Pos	Part Number	Name	Remarks	Qty	Model	Pos	Part Number	Name	Remarks	Qty	Model
24	900 021 002 00	cotter pin 1,5 X 10		1							
25	905 116 751 00	push rod		1							
26	900 025 007 02	washer 8,4		2							
27	900 021 008 00	cotter pin 2 X 15		2							
		- - - E N D - - -									

Model	Year	MG	SG	Illustration	Restrictions	Update	11:15	23.08.2006	PORSCHE	PET	PORSCHE
914	76	3	07	307-05		203					

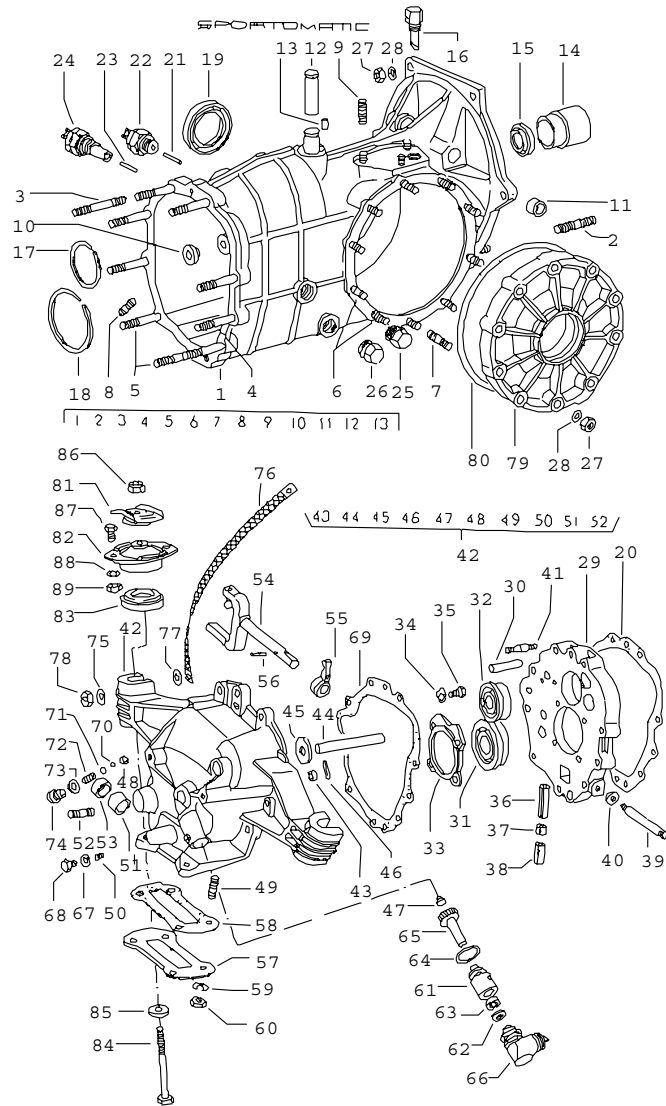


Pos	Part Number	Name	Remarks	Qty	Model
		converter converter housing			914-6:SPM
1	905 301 007 01	converter housing with stud		1	
2	900 061 014 02	stud BM 10 X 22		1	
(3)	999 062 009 02	stud BM 8 X 28		1	
3	999 062 007 02	stud BM 8 X 22		3	
4	999 062 002 02	stud BM 6 X 15		2	
5	905 116 002 20	torque converter with starter ring		1	
6	905 116 024 12	drive plate		1	
7	999 067 009 01	pan-head screw		6	
8	001 301 095 A	12 point socket		4	
9	PCG 113 071 50	radial shaft seal		1	
10	900 052 027 00	deep-groove ball bearing		1	
11	905 116 027 10	turbine shaft		1	
12	999 012 018 00	straight pin		3	
13	999 201 021 00	needle sleeve		1	
14	PCG 201 301 00	shaft seal G 12 X 18 X 3		1	
15	N 012 420 1	circlip 20 X 1,2		1	
16	905 116 020 01	free wheel lock bracket		1	
17	999 186 002 01	pan-head screw		8	
18	* N 013 804 2	sealing ring A 6 X 10		8	
19	* 999 113 189 40	shaft seal		1	
20	905 116 254 20	clutch plate		1	
21	905 116 255 10	clutch pressure plate		1	

Model	Year	MG	SG	Illustration	Restrictions	Update	11:15	23.08.2006	PORSCHE	PET	PORSCHE
914	76	3	07	307-05		203					

Pos	Part Number	Name	Remarks	Qty	Model	Pos	Part Number	Name	Remarks	Qty	Model
22	925 116 081 00	clutch release bearing		1							
23	999 067 010 01	pan-head screw		6							
24	N 012 026 3	lock ring 6		6							
25	N 011 010 6	hexagon nut M 10		2							
26	N 012 242 3	spring washer B 10 X 18		2							
27	905 301 125 11	switch housing		1							
28	900 129 009 02	double socket		1							
29	* N 013 848 1	sealing ring A 16 X 22		1							
30	905 613 102 04	temperature switch		1							
31	* 900 123 007 30	sealing ring A 14 X 18		2							
32	905 301 013 10	pressure pipe		1							
33	905 301 014 10	return pipe		1							
34	900 028 008 01	spring washer B 6		2							
35	900 076 010 02	hexagon nut M 6		2							
36	901 641 632 00	remote temperature sensor		1							
37	900 067 078 02	pan-head screw M 10 X 150		1							
38	900 155 018 02	hexagon-head bolt M 10 X 110		1							
39	N 012 242 3	spring washer B 10 X 18		4							
40	900 157 002 02	hexagon nut M 10		2							
		- - - E N D - - -									

Model	Year	MG	SG	Illustration	Restrictions	Update	11:15	23.08.2006	PORSCHE	PET	PORSCHE
914	76	3	08	308-00		203					



Pos	Part Number	Name	Remarks	Qty	Model
		transmission case			914-6:SPM
1	914 301 010 05	transmission case		1	
2	900 061 118 02	stud BM 10 X 28		2	
3	999 062 138 02	stud BM 8 X 52		1	
4	900 061 012 02	stud BM 8 X 50		6	
5	900 061 011 01	stud BM 8 X 45		2	
6	999 062 008 02	stud BM 8 X 25		2	
7	999 062 007 02	stud BM 8 X 22		7	
8	900 061 057 02	stud BM 8 X 15		2	
9	900 061 004 02	stud BM 8 X 12		3	
10	905 302 291 00	ring		1	
11	905 116 727 00	bush		2	
12	905 116 707 01	pin		1	
13	999 095 102 00	clamping pin S 5 X 12		1	
14	905 116 813 01	guide tube		1	
15	* 999 113 286 40	shaft seal		1	
16	904 301 071 00	bleeder		1	
17	999 042 301 01	snap ring SB 52		2	
18	999 041 305 01	snap ring SB 79		1	
19	* 999 113 058 50	radial sealing ring BA - FG 45 X 65 X 10		2	
20	* 905 301 191 00	gasket for transmission case 0,10 MM		1	

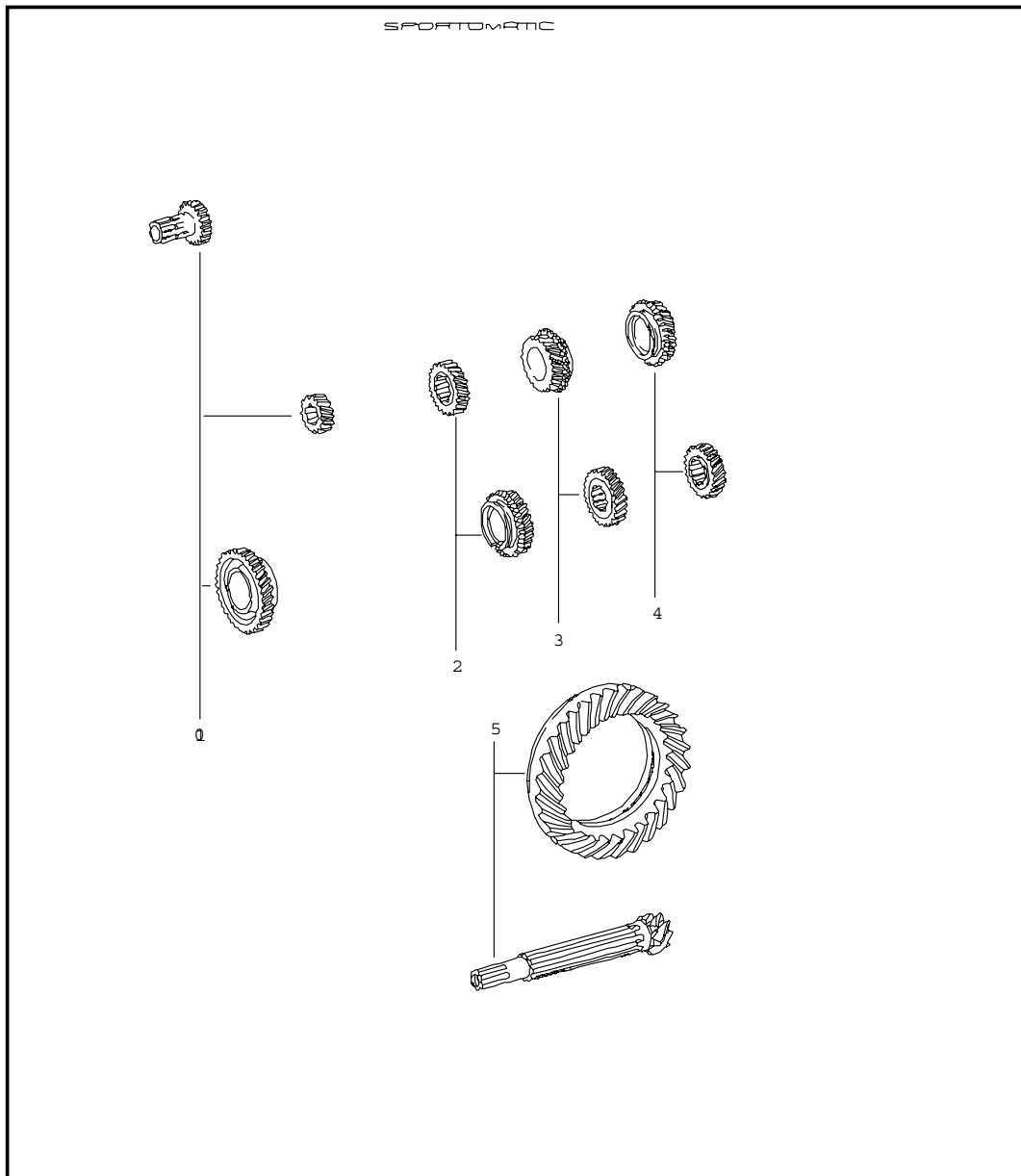
Model	Year	MG	SG	Illustration	Restrictions	Update	11:15	23.08.2006	PORSCHE	PET	PORSCHE
914	76	3	08	308-00		203					

Pos	Part Number	Name	Remarks	Qty	Model	Pos	Part Number	Name	Remarks	Qty	Model
(20)	* 905 301 191 01	gasket for transmission case 0,15 MM		X		39	914 301 307 00	bolt for reverse lever		1	
(20)	* 905 301 191 02	gasket for transmission case 0,20 MM		X		40	N 012 241 1	spring washer B 8 X 15		1	
21	905 303 245 02	cam follower back-up light switch		1		41	905 303 136 00	bolt		1	
22	905 613 051 02	back-up light switch		1		42	914 301 031 12	transmission cover rear		1	
23	914 303 246 10	cam follower bridging switch		1		43	901 318 244 01	bearing sleeve		1	
24	905 613 101 02	bridging switch		1		44	905 302 255 00	bolt for reverse gear		1	
25	999 064 019 02	screw plug		1		45	905 302 292 00	thrust washer		1	
26	999 064 020 02	screw plug with magnet		1		46	900 095 019 01	tensioning sleeve 5 X 30		1	
27	900 076 025 02	hexagon nut M 8		13		47	901 318 273 01	bolt		1	
28	N 012 241 1	spring washer B 8 X 15		13		48	905 303 236 00	washer		1	
29	905 301 221 01	intermediate plate		1		49	999 062 055 02	stud BM 6 X 12		4	
30	900 012 027 00	straight pin 10 M 6 X 45		2		50	999 504 070 00	threaded insert M 8 X 1		1	
31	999 052 016 00	four-point bearing		1		51	914 303 121 01	bush for shift rod		1	
32	999 053 025 00	angular-contact bearing		1		52	900 061 073 02	stud BM 8 X 16		2	
33	901 301 251 01	tensioning plate		1		53	* 900 112 029 50	radial sealing ring A 14 X 24 X 7		1	
34	999 039 001 00	tab washer		4		54	914 303 011 02	shaft		1	
35	N 010 239 11	hexagon-head bolt M 8 X 18		4		55	914 303 013 01	gearshift lever		1	
36	901 303 241 01	bush for gear lock detent		1		56	900 309 003 00	roll pin 5 X 24		1	
37	905 303 242 00	bush for gear lock detent		1		57	914 301 313 00	cover		1	
38	905 303 243 00	bush for gear lock detent		1		58	* 914 301 391 00	gasket		1	
						59	999 025 108 02	washer 6,4 X 14		4	
						60	999 084 018 02	lock nut		4	

Model	Year	MG	SG	Illustration	Restrictions	Update	11:15	23.08.2006	PORSCHE	PET	PORSCHE
914	76	3	08	308-00		203					

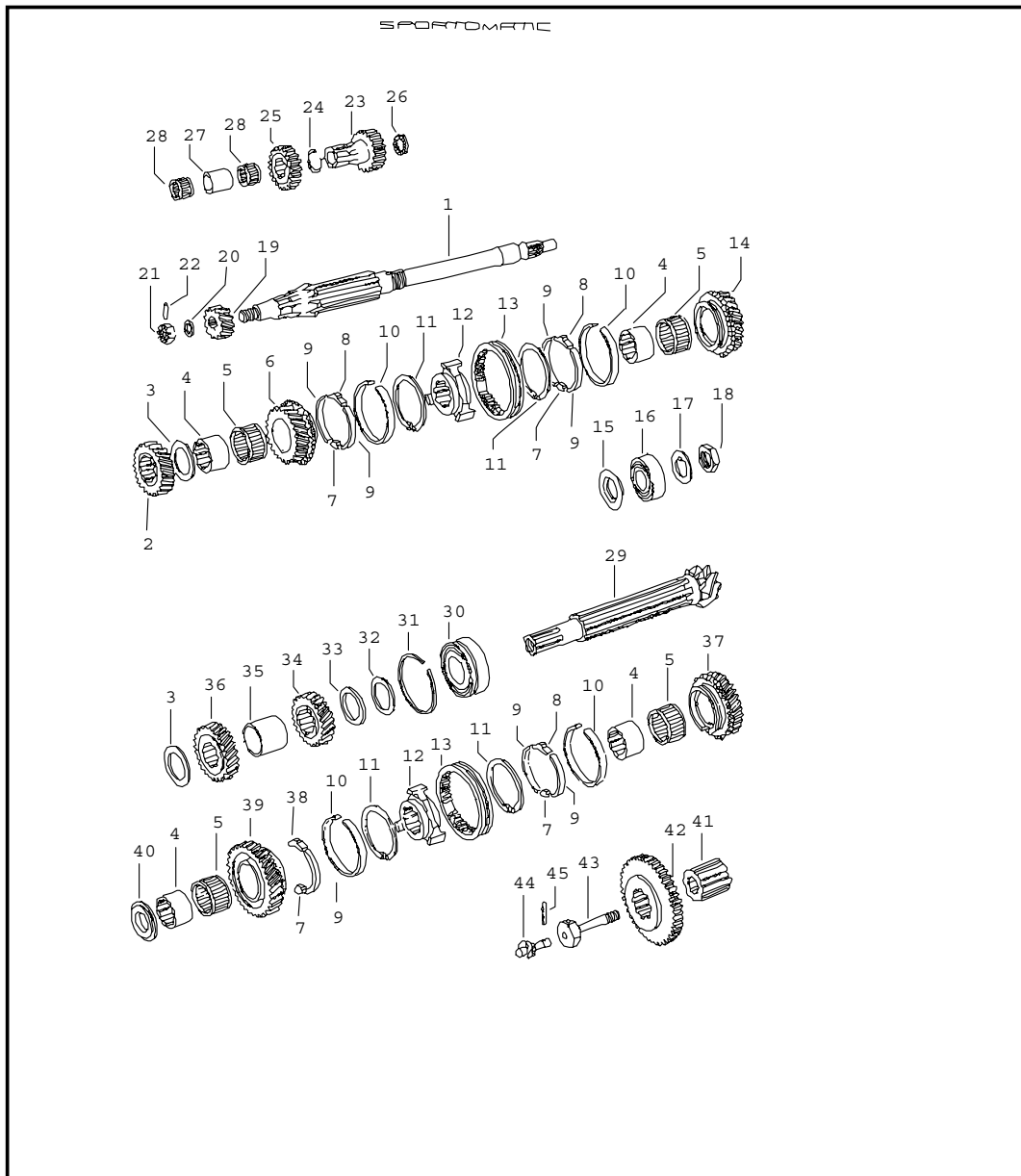
Pos	Part Number	Name	Remarks	Qty	Model	Pos	Part Number	Name	Remarks	Qty	Model
61	901 318 243 12	guide bush		1		(80) *	905 301 391 00	gasket		1	
62	914 318 261 01	sealing washer		1		81	914 375 058 01	base		2	
63	* 999 113 036 50	radial sealing ring BA - FG 10 X 18 X 6		1		82	914 375 026 00	transmission mounting		2	
64	* 999 701 084 50	o-ring		1		83	914 375 237 00	washer		2	
65	905 318 333 10	shaft for speedometer drive		1		84	900 082 044 02	hexagon-head bolt M 12 X 1,5 X 125		2	
66	914 318 029 01	angled pipe		1		85	914 375 239 00	washer		2	
67	900 031 001 02	washer 8,4		1		86	N 021 191 5	lock nut M 12 X 1,5		2	
68	901 318 272 03	hexagon-head bolt		1		87	900 075 085 02	hexagon-head bolt M 8 X 20		4	
69	905 301 392 02	gasket for transmission cover		1		88	900 025 007 02	washer 8,4		4	
70	900 108 010 00	ball 7 MM for parking lock		1		89	900 910 022 02	hexagon nut		4	
71	N 025 667 2	ball 9 MM for parking lock		1				- - - E N D - - -			
72	905 303 237 00	spring for parking lock		1							
73	900 031 001 02	washer 8,4		1							
74	905 303 238 00	screw plug		1							
75	900 031 001 02	washer 8,4		8							
76	999 611 919 20	ground strap		1							
77	999 151 022 02	washer 20 X 8,4 X 2		2							
78	999 090 101 02	mid-grip nut		9							
79	905 301 311 11	transmission cover lateral		1							
80	* 999 701 286 40	o-ring 160 X 3		1							

Model	Year	MG	SG	Illustration	Restrictions	Update	11:16	23.08.2006	PORSCHE	PET	PORSCHE
914	76	3	09	309-00		203					



Pos	Part Number	Name	Remarks	Qty	Model
		gear sets			914-6:SPM
1	905 302 906 10	gear set 1st gear Z = 15:36 (C) gear wheel II for reverse gear fixed gear wheel loose gear wheel		1	
2	901 302 908 10	gear wheel pair 2nd gear Z = 20:31 (I) fixed gear wheel loose gear wheel		1	
3	904 302 920 10	gear wheel pair 3rd speed Z = 24:27 (Q4) fixed gear wheel loose gear wheel		1	
4	904 302 924 10	gear wheel pair 4th speed Z = 28:24 (X) fixed gear wheel loose gear wheel		1	
5	905 302 901 01	ring gear and pinion shaft 7:27		1	
		- - - E N D - - -			

Model	Year	MG	SG	Illustration	Restrictions	Update	11:16	23.08.2006	PORSCHE	PET	PORSCHE
914	76	3	09	309-05		203					

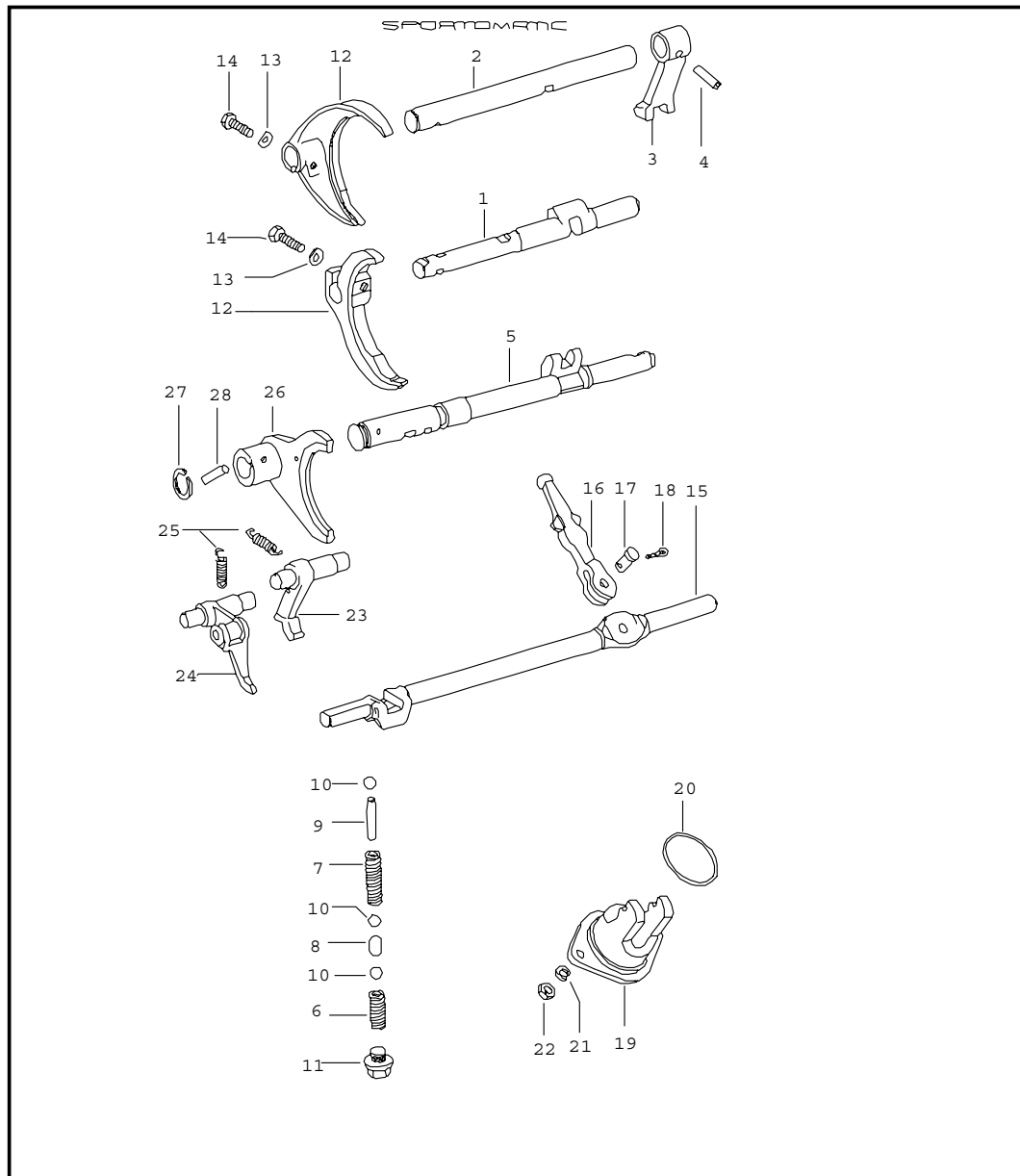


Pos	Part Number	Name	Remarks	Qty	Model
		gears and shafts			916-6:SPM
		gear sets see group 3/09/00			
1	905 302 101 00	drive shaft		1	
2	* --- --- --- --	fixed gear wheel 2nd gear		1	
3	901 302 294 01	thrust washer		2	
4	901 302 261 01	bush		4	
5	999 201 470 00	needle cage		4	
6	* --- --- --- --	loose gear wheel 3rd speed		1	
7	911 302 317 01	stop 1. - 4th speed		4	
8	911 302 315 00	stone 2. - 4th speed		3	
9	911 302 316 00	brake band		7	
10	925 302 301 02	synchroniser ring		4	
11	911 302 311 01	circlip		4	
12	901 302 402 02	guide sleeve		2	
13	911 302 411 10	shift sleeve		2	
14	* --- --- --- --	loose gear wheel 4th speed		1	
15	901 302 268 01	spacer		1	
16	999 110 008 00	cylindrical-roller bearing		1	
17	999 038 001 00	tab washer		1	
18	999 183 001 00	hexagon nut		1	
19	* --- --- --- --	fixed gear wheel 1st gear		1	
20	999 031 067 00	washer		1	
21	999 079 011 02	castle nut		1	
22	900 309 004 00	roll pin 3 X 18		1	

Model	Year	MG	SG	Illustration	Restrictions	Update	11:16	23.08.2006	PORSCHE	PET	PORSCHE
914	76	3	09	309-05		203					

Pos	Part Number	Name	Remarks	Qty	Model	Pos	Part Number	Name	Remarks	Qty	Model
23	* --- --- --- --	gear wheel II for reverse gear		1		42	905 302 224 02	sliding gear for reverse gear		1	
24	999 041 309 01	snap ring SB 27		1		43	901 302 271 01	elastic bolt		1	
25	905 302 223 00	gear wheel III for reverse gear		1		44	905 318 331 10	shaft		1	
26	999 202 003 00	needle-roller bearing		1		45	900 197 002 00	tensioning sleeve 4 X 28		1	
27	905 302 265 00	spacer sleeve		1				- - - E N D - - -			
28	999 201 106 00	needle cage		2							
29	* --- --- --- --	drive shaft		1							
30	999 110 007 00	cylindrical-roller bearing		1							
31	900 111 002 00	snap ring SP 72		1							
32	901 302 297 01	adjusting shim 0,25 MM		X							
32	901 302 297 11	adjusting shim 0,30 MM		X							
32	901 302 297 21	adjusting shim 0,40 MM		X							
33	901 302 298 01	spacer		1							
34	* --- --- --- --	fixed gear wheel 4th speed		1							
35	901 302 265 01	spacer sleeve		1							
36	* --- --- --- --	fixed gear wheel 3rd speed		1							
37	* --- --- --- --	loose gear wheel 2nd gear		1							
38	901 302 318 02	stone for 1st gear		1							
39	* --- --- --- --	loose gear wheel 1st gear		1							
40	901 302 269 01	thrust washer		1							
41	905 302 257 00	sleeve		1							

Model	Year	MG	SG	Illustration	Restrictions	Update	11:16	23.08.2006	PORSCHE	PET	PORSCHE
914	76	3	10	310-00		203					



Pos	Part Number	Name	Remarks	Qty	Model
		shift rods forks differential			914-6:SPM
1	901 303 101 01	gear shift rod 1st/2nd gear		1	
2	901 303 103 01	gear shift rod 3rd, 4th speed		1	
3	901 303 161 01	contact		1	
4	900 309 003 00	roll pin 5 X 24		1	
5	914 303 141 10	gear shift rod for reverse gear		1	
6	901 303 232 01	compression spring for gear lock detent 2. - 4th speed		1	
7	905 303 232 01	compression spring for gear lock detent		1	
8	905 303 211 00	detent for gear lock detent		1	
9	901 303 271 01	pin for gear lock detent		1	
10	N 025 667 2	ball 9 MM		3	
11	999 065 001 02	screw plug		1	
12	901 303 111 01	shift fork for forward speed		2	
13	N 012 241 1	spring washer B 8 X 15		2	
14	900 075 083 02	hexagon-head bolt M 8 X 25		2	
15	914 303 131 05	gear shift rod		1	
16	901 303 133 01	shift lever		1	
17	901 303 171 01	bolt		1	

Model	Year	MG	SG	Illustration	Restrictions	Update	11:16	23.08.2006	PORSCHE	PET	PORSCHE
914	76	3	10	310-00		203					

Pos	Part Number	Name	Remarks	Qty	Model	Pos	Part Number	Name	Remarks	Qty	Model
18	N 012 512 1	cotter pin 2 X 12		1		-	901 332 265 06	spacer ring 3,0 MM		X	
19	911 303 129 00	fork		1		-	901 332 265 07	spacer ring 3,1 MM		X	
20	* 999 701 359 40	o-ring		1		-	901 332 265 08	spacer ring 3,2 MM		X	
(20)	* 901 303 191 01	gasket		1		-	901 332 265 09	spacer ring 3,3 MM		X	
21	900 027 015 02	lock ring B 8		2		-	901 332 265 10	spacer ring 3,4 MM		X	
22	900 076 025 02	hexagon nut M 8		2		-	901 332 265 11	spacer ring 3,5 MM		X	
23	905 303 013 00	stop for parking lock		1		-	901 332 265 12	spacer ring 3,6 MM		X	
24	905 303 015 00	lever for parking lock		1		-	901 332 265 13	spacer ring 3,7 MM		X	
25	905 303 235 00	tension spring		2		-	901 332 263 01	washer		2	
26	914 303 151 10	shift fork for reverse gear		1		-	999 059 008 00	taper roller bearing		2	
27	999 041 301 01	snap ring SW 18		1		-	905 302 901 01	drive shaft and seat 7 : 27		1	
28	905 303 149 00	bolt		1		-	901 332 276 00	hexagon-head bolt		12	
-	905 332 212 00	transmission case		1		-	905 332 285 00	tab washer		6	
-	901 332 902 00	1 set differential pinions		1		-	901 332 275 12	elastic bolt		2	
-	901 332 206 13	threaded piece		2		-	911 332 208 00	armature		1	
-	901 332 207 04	differential bolt		1				- - - E N D - - -			
-	901 332 265 01	spacer ring 2,5 MM		X							
-	901 332 265 02	spacer ring 2,6 MM		X							
-	901 332 265 03	spacer ring 2,7 MM		X							
-	901 332 265 04	spacer ring 2,8 MM		X							
-	901 332 265 05	spacer ring 2,9 MM		X							

Model	Year	MG	SG	Illustration	Restrictions	Update	11:16	23.08.2006
914	76	3	98	398-00		203		

Pos	Part Number	Name	Remarks	Qty	Model
>>	> 914 300 901 00	set of seals set of seals transmission comprising:		1	
-	901 303 191 01	gasket		1	
-	113 311 113 B	sealing ring		1	
-	999 113 183 40	radial shaft seal 45 X 68 X 10		2	
-	900 112 029 50	radial sealing ring 14 X 24 X 7		1	
-	901 301 191 21	gasket for transmission case 0,1 MM		1	
-	901 301 191 22	gasket for transmission case 0,15 MM		1	
-	901 301 191 23	gasket for transmission case 0,2 MM		1	
-	999 701 084 50	o-ring 25,3 - 2,4		1	
-	901 301 392 12	gasket for transmission cover front		1	
-	914 301 391 00	gasket for transmission cover		1	
-	113 301 185 A	gasket for transmission cover lateral		1	
-	999 701 359 40	o-ring OR 40 X 1,5		1	
-	900 112 001 50	shaft seal B 15 X 24 X 7		1	
-	999 113 036 50	radial sealing ring 10 X 18 X 6		1	
>>	> 914 300 901 05	set of seals transmission comprising:		1	SPM

Model	Year	MG	SG	Illustration	Restrictions	Update	11:16	23.08.2006
914	76	3	98	398-00		203		

Pos	Part Number	Name	Remarks	Qty	Model
-	PCG 113 071 50	radial shaft seal		1	
-	PCG 201 301 00	shaft seal 12 X 18 X 3		1	
-	999 113 286 40	shaft seal		1	
-	999 113 189 40	shaft seal		1	
-	900 123 007 30	sealing ring 14 X 18		1	
-	999 113 058 50	radial sealing ring 45 X 65 X 10		2	
-	N 013 804 2	sealing ring A 6 X 10		8	
-	N 013 848 1	sealing ring A 16 X 22		1	
-	905 301 191 00	gasket for transmission case 0,1 MM		1	
-	905 301 191 01	gasket for transmission case 0,15 MM		1	
-	905 301 191 02	gasket for transmission case 0,2 MM		1	
-	900 112 029 50	radial sealing ring 14 X 24 X 7		1	
-	914 301 391 00	gasket for cover		1	
-	999 113 036 50	radial sealing ring 10 X 18 X 6		1	
-	999 701 084 50	o-ring 25,3 X 24,4		1	
-	905 301 392 02	gasket for transmission cover front		1	
-	905 301 391 00	gasket for transmission cover lateral		1	
-	999 701 286 40	o-ring 160 X 3		1	

PORSCHE

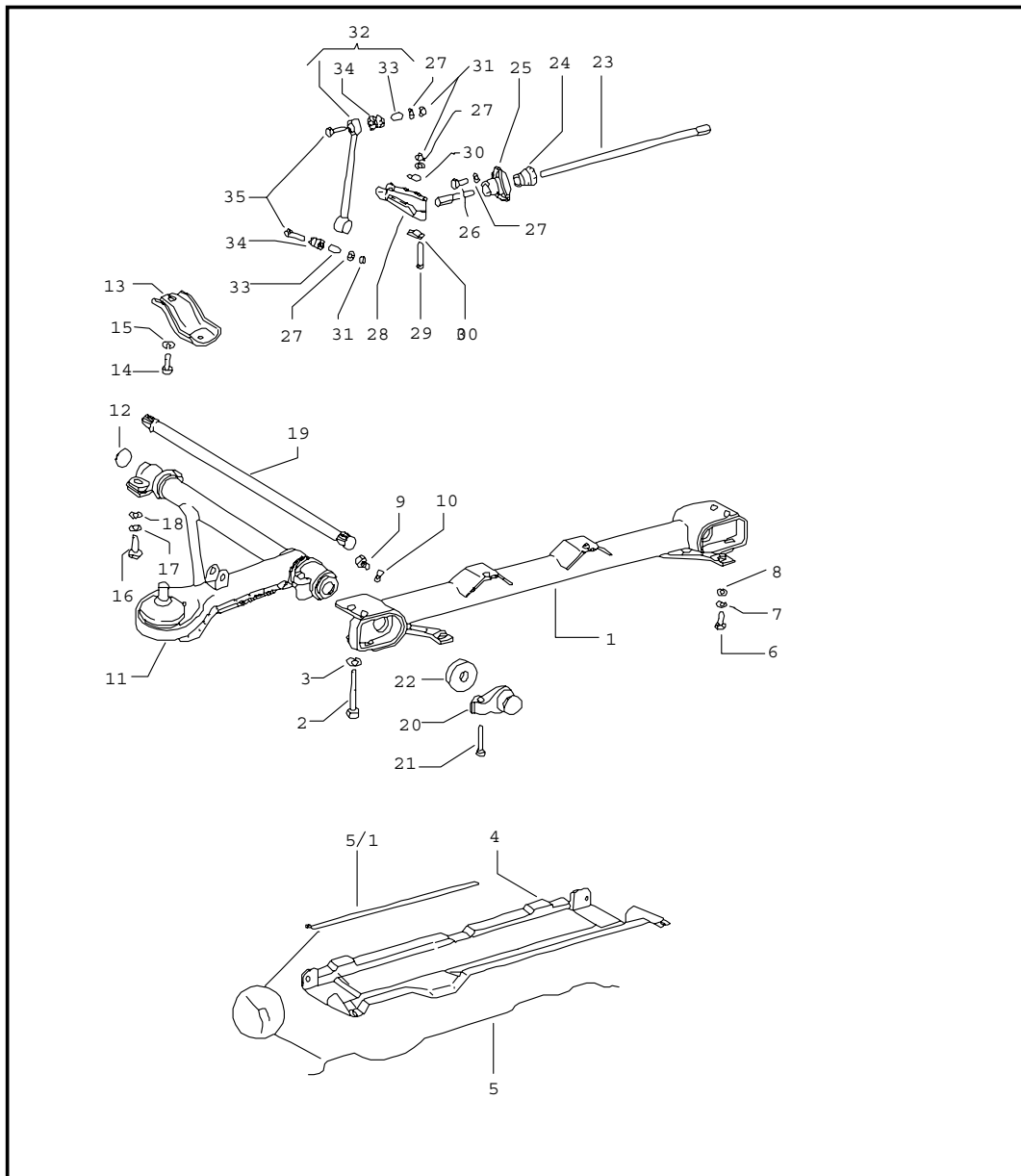
PET

PORSCHE

Model	Year	MG	SG	Illustration	Restrictions	Update		
914	76	3	98	398-00		203	11:16	23.08.2006

Pos	Part Number	Name	Remarks	Qty	Model
-	901 303 191 01	gasket		1	
-	999 701 359 40	o-ring OR 40 X 1,5		1	
		- - - E N D - - -			

Model	Year	MG	SG	Illustration	Restrictions	Update	11:17	23.08.2006	PORSCHE	PET	PORSCHE
914	76	4	01	401-00		203					

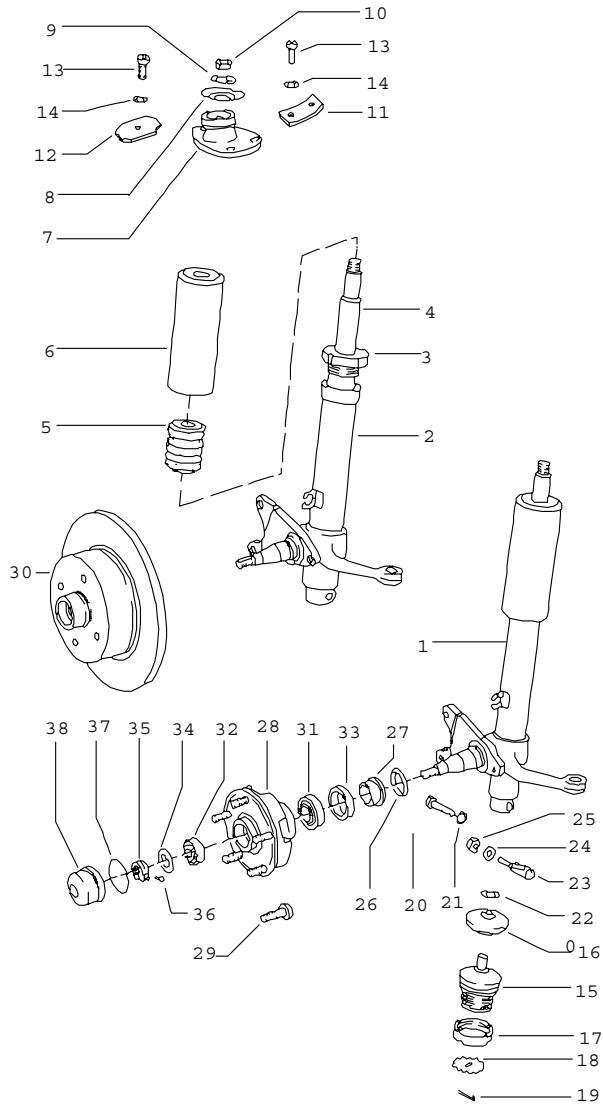


Pos	Part Number	Name	Remarks	Qty	Model
		front axle stabiliser			
1	901 341 013 03	auxiliary support		1	914-6
(1)	914 341 013 03	auxiliary support		1	
2	900 082 020 02	hexagon-head bolt M 12 X 1,5 X 80		2	
3	900 027 017 02	lock ring B 12		2	
4	914 341 161 00	protective plate		1	
5	901 341 168 00	tread rubber		1	
5/1	901 341 169 00	tread rubber		1	
6	900 075 040 02	hexagon-head bolt M 10 X 20		2	
7	900 027 016 02	lock ring B 10		2	
8	900 025 008 02	washer 10,5		2	
9	N 010 231 1	hexagon-head bolt M 8 X 8		2	
10	N 012 241 11	spring washer B 8 X 15		2	
11	911 341 901 00	control arm without ball joint	/L	1	914-6
(11)	911 341 902 00	control arm without ball joint	/R	1	914-6
(11)	914 341 901 00	control arm without ball joint	/L	1	914-4
(11)	914 341 902 00	control arm without ball joint	/R	1	914-4
12	900 040 008 01	cover plate		2	
13	914 341 159 00	protective bracket		2	
14	900 067 063 02	pan-head screw M 10 X 20		2	

Model	Year	MG	SG	Illustration	Restrictions	Update	11:17	23.08.2006	PORSCHE	PET	PORSCHE
914	76	4	01	401-00		203					

Pos	Part Number	Name	Remarks	Qty	Model	Pos	Part Number	Name	Remarks	Qty	Model
15	N 012 028 1	lock ring		2		33	901 343 737 00	spacer tube		4	
16	900 075 042 02	hexagon-head bolt M 10 X 30		4		34	901 343 783 00	rubber mounting		4	
17	900 027 016 02	lock ring B 10		4		35	N 010 340 6	hexagon-head bolt M 8 X 40		4	
18	900 025 008 09	washer 10,5		4				- - - E N D - - -			
19	914 343 101 00	torsion bar \$ 17,9	/L	1	914-6						
(19)	914 343 102 00	torsion bar \$ 17,9	/R	1	914-6						
19	914 343 107 00	torsion bar \$ 17,9	/L	1							
(19)	914 343 108 00	torsion bar \$ 17,9	/R	1							
20	901 341 033 00	reverse lever		2	914-6						
20	914 341 033 00	change lever		2							
21	911 341 115 00	adjusting screw		2							
22	901 341 475 00	gasket		2							
		stabiliser	M 73-								
23	901 343 703 03	stabiliser \$ 15		1							
24	901 343 792 02	lever		2							
25	901 343 754 01	stabiliser mounting		2							
26	900 075 083 02	hexagon-head bolt M 8 X 25		6							
27	900 027 015 02	lock ring B 8		14							
28	901 343 713 01	lever stabiliser		2							
29	N 010 377 1	hexagon-head bolt M 8 X 62		4							
30	901 343 763 00	guide plate		4							
31	900 076 025 02	hexagon nut M 8		8							
32	914 343 075 00	suspension		2							

Model	Year	MG	SG	Illustration	Restrictions	Update	11:17	23.08.2006	PORSCHE	PET	PORSCHE
914	76	4	02	402-00		203					

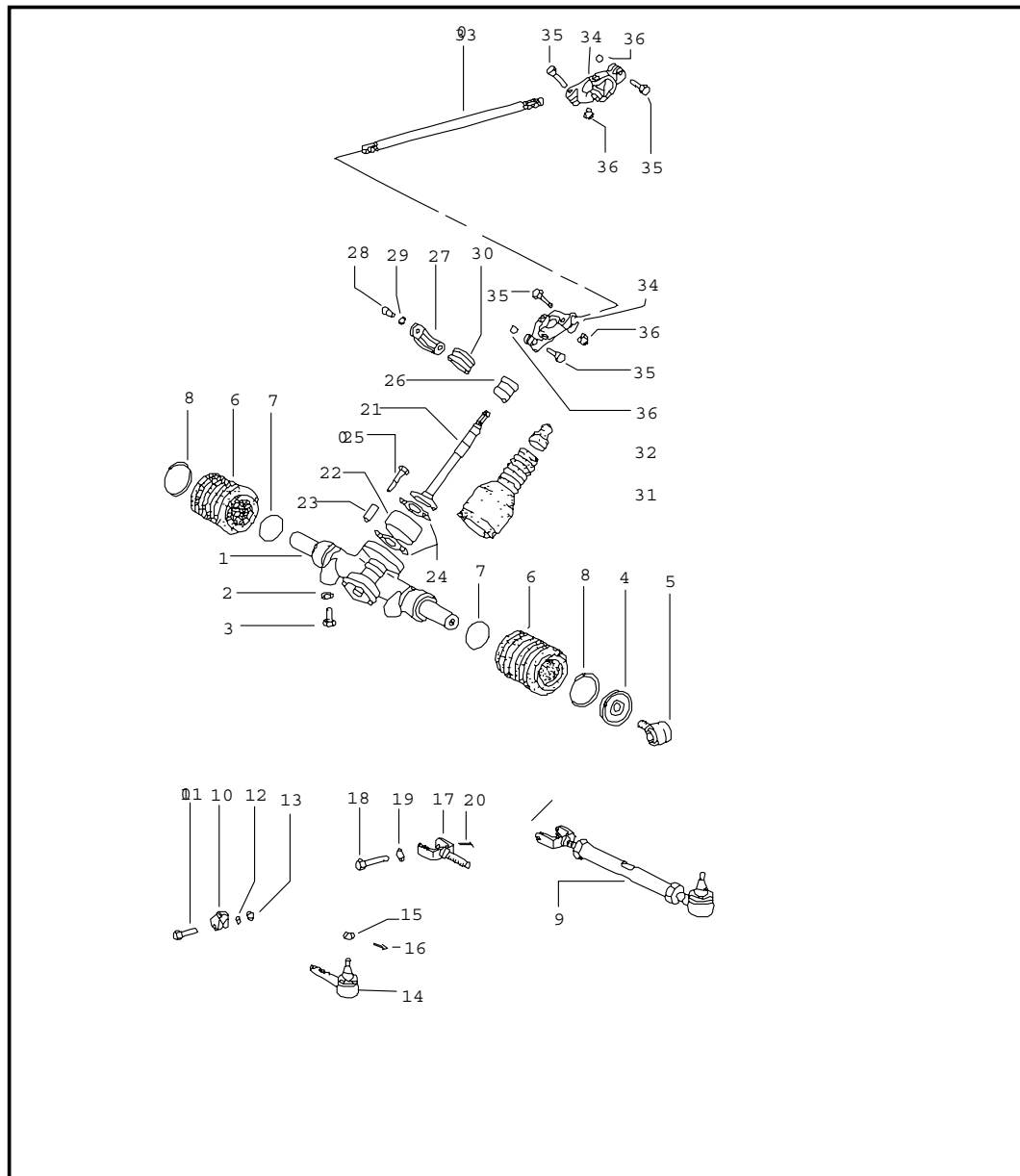


Pos	Part Number	Name	Remarks	Qty	Model
		shock absorber strut			
2	914 341 081 02	outer part F >>47229 19032	/L -72	1	914-4
(2)	914 341 082 02	outer part F >>47229 19032	/R -72	1	914-4
2	914 341 081 05	outer part F 47229 19033>>	/L 72-	1	914-1,7/1,8 914-1,8V/2,0
(2)	914 341 082 05	outer part F 47229 19033	/R 72-	1	914-1,7/1,8 914-1,8V/2,0
3	914 341 804 00	screw plug		2	914-4/1,7 914-1,8/1,8V 914-2,0
4	914 341 903 00	shock absorber insert - boge -		2	
5	901 343 301 00	rubber stop - boge -		2	
6	914 341 086 00	protective tube		2	914-4/1,7 914-1,8/1,8V 914-2,0
7	911 341 018 00	supporting mount with lever		2	
8	901 341 629 00	support washer		2	
9	900 038 002 01	tab washer 14		2	
10	N 011 021 3	hexagon nut M 14 X 1,5		2	
11	911 501 933 00	pressure plate		2	
12	911 501 934 00	pressure plate		2	
13	900 067 063 02	pan-head screw M 10 X 20		6	
14	N 015 375 1	lock washer		6	
15	911 341 049 01	ball joint	72-	2	914-4/1,7 914-1,8/1,8V 914-2,0
		F 47229 19033			
15	901 341 049 00	ball joint F >>47229 19032		2	914-6/4

Model	Year	MG	SG	Illustration	Restrictions	Update	11:17	23.08.2006	PORSCHE	PET	PORSCHE
914	76	4	02	402-00		203					

Pos	Part Number	Name	Remarks	Qty	Model	Pos	Part Number	Name	Remarks	Qty	Model
16	901 341 049 00	ball joint F >>47229 19032		2	914-6/4	31	311 405 625 D	taper roller bearing inner		2	
17	901 341 425 00	grooved nut		2		32	999 059 065 00	taper roller bearing outer		2	914-6
18	901 341 426 00	tab washer		2		32	311 405 645	taper roller bearing outer		2	
19	N 012 521 1	cotter pin 2 X 20		2		33	477 405 641	radial sealing ring		2	914-6
20	900 075 111 01	hexagon-head bolt M 10 X 30 F >>47229 19032		2	914-6/4	33	311 405 641 B	sealing ring		2	
21	999 523 103 01	lock washer F >>47229 19032		2	914-6/4	34	901 341 663 00	washer		2	914-6
22	901 341 659 00	desk pad F >>47229 19032		2	914-6/4	34	311 405 661	thrust washer		2	
23	911 341 119 06	threaded pin F 47229 19033	72-	2	914-4/1,7 914-1,8/1,8V 914-2,0	(35)	131 405 669	clamping nut with pan-head screw	/L	1	
24	900 089 006 02	washer 8 F 47229 19033	72-	2	914-4/1,7 914-1,8/1,8V 914-2,0	(35)	131 405 670	clamping nut with pan-head screw	/R	1	
25	900 910 022 09	lock nut M 8 F 47229 19033	72-	2	914-4/1,7 914-1,8/1,8V 914-2,0	36	999 119 001 01	pan-head screw		2	914-6
26	999 701 084 50	o-ring OR 25,3 - 2,4		2	914-6	37	421 839 455	rubber ring		2	914-4/1,7 914-1,8/1,8V 914-2,0
27	901 341 623 00	spacer ring		2	914-6	(38)	111 405 691 B	cap for hub use also: plug 311.405.381		2	914-4
28	901 341 065 04	front wheel hub		2	914-6	-	311 405 381	plug		2	914-4
29	904 341 671 00	wheel bolt knurling 14,8 MM		10	914-6	38	914 341 684 00	cap		2	914-6
(29)	904 341 671 00	wheel bolt knurling 15 MM oversize		X	914-6	(38)	111 405 691 B	cap F 47329 02511>>	73-	2	914-1,7/1,8V 914-1,8/2,0
30	--- --- --- --	brake disc see group 6/02/00		2	914-4/1,7 914-1,8/1,8V 914-2,0						
31	999 059 098 00	taper roller bearing inner		2	914-6						

Model	Year	MG	SG	Illustration	Restrictions	Update	11:17	23.08.2006	PORSCHE	PET	PORSCHE
914	76	4	03	403-00		203					



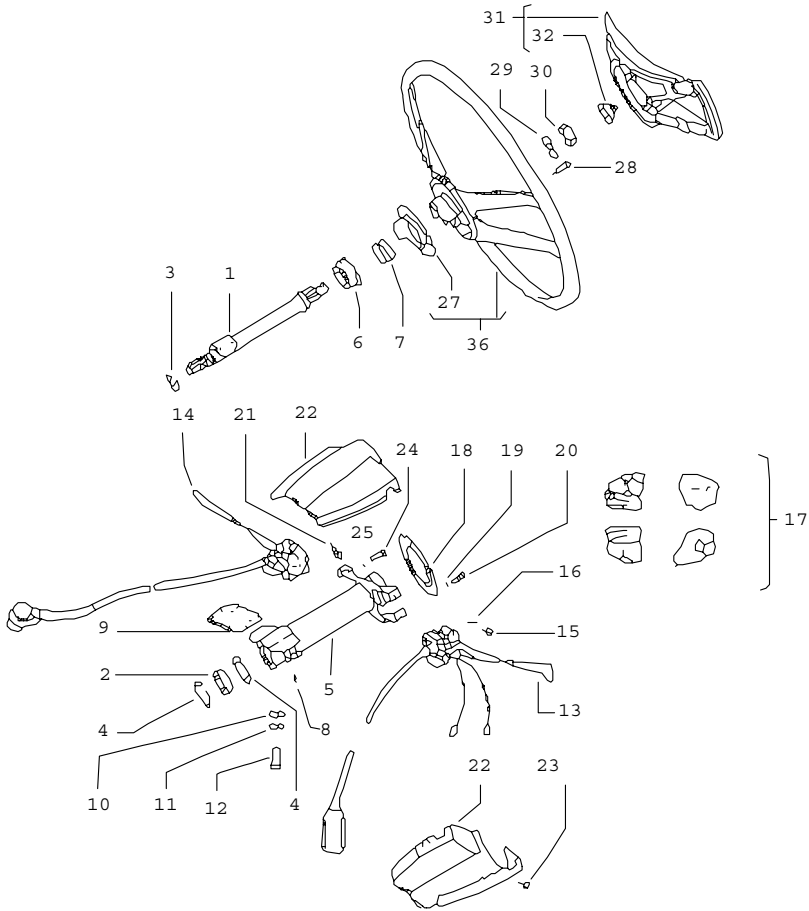
Pos	Part Number	Name	Remarks	Qty	Model
		steering gear steering linkage			
1	914 347 010 06	steering gear		1	
2	900 027 016 02	lock ring B 10		2	
3	N 010 253 7	hexagon-head bolt M 10 X 22		2	914-6/4
3	N 010 275 4	hexagon-head bolt M 10 X 35		2	
4	901 347 056 02	support		2	
(4)	911 347 056 00	steer angle limitation together with with wheels 195/65 HR 15		2	
5	914 347 057 00	bush		2	
6	901 347 191 02	bellows		2	
7	901 347 308 00	retainer spring		2	
8	901 347 309 00	retainer spring		2	
9	911 347 031 00	tie rod		2	
10	111 415 841 A	clamp		4	914-6/4/1,7
11	A 900 075 099 02	hexagon-head bolt M 8 X 30		4	914-6/4/1,7
12	A 900 027 015 02	lock ring B 8		4	914-6/4/1,7
13	A 900 076 025 02	hexagon nut M 8		4	914-6/4/1,7
14	911 347 322 04	ball joint		2	
15	N 011 210 1	castle nut M 10 X 1		2	
16	900 021 013 00	cotter pin 2 X 25		2	
17	901 347 315 01	joint fork		2	
18	911 347 327 00	hexagon-head bolt		2	
19	N 015 375 1	lock washer M 10		2	

Model	Year	MG	SG	Illustration	Restrictions	Update	11:17	23.08.2006	PORSCHE	PET	PORSCHE
914	76	4	03	403-00		203					

Pos	Part Number	Name	Remarks	Qty	Model	Pos	Part Number	Name	Remarks	Qty	Model
20	N 012 515 1	cotter pin 2 X 15		2				- - - E N D - - -			
21	914 347 210 00	steering shaft		1							
22	901 347 201 02	steering coupling		1							
23	901 347 215 00	stop bush		4							
24	901 347 248 00	tab washer		2							
25	900 074 129 02	hexagon-head bolt M 8 X 42		4							
26	901 347 241 01	steering shaft bearing		1							
27	901 347 221 00	housing		1							
28	900 119 052 02	pan-head screw M 8 X 16		2							
29	N 012 027 1	lock ring B 8		2							
30	901 347 223 03	lever		1							
31	914 347 393 00	sealing bellows		1							
32	914 347 706 01	gasket		1							
33	914 347 214 02	intermed. steering shaft		1	914-6						
33	914 347 214 01	intermed. steering shaft	-71	1	914-4						
33	914 347 214 02	intermed. steering shaft	72-	1	914-4/1,7 914-1,8/1,8V 914-2,0						
34	930 347 025 00	universal joint	-71	2	914-6						
34	930 347 025 00	universal joint	-71	1	914-4						
34	930 347 025 00	universal joint	72-	2							
35	N 010 335 5	hexagon-head bolt M 8 X 35	-71	4	914-6						
35	N 010 335 5	hexagon-head bolt M 8 X 35	-71	3	914-4						
35	N 010 335 5	hexagon-head bolt M 8 X 35	72-	4							
36	113 415 431 A	hexagon nut	-71	4	914-6						
36	113 415 431 A	hexagon nut	-71	3	914-4						
36	113 415 431 A	hexagon nut	72-	4							

Model	Year	MG	SG	Illustration	Restrictions	Update	11:17	23.08.2006	PORSCHE	PET	PORSCHE
914	76	4	03	403-05		203					

Typ 914/6
bis Mod. 71



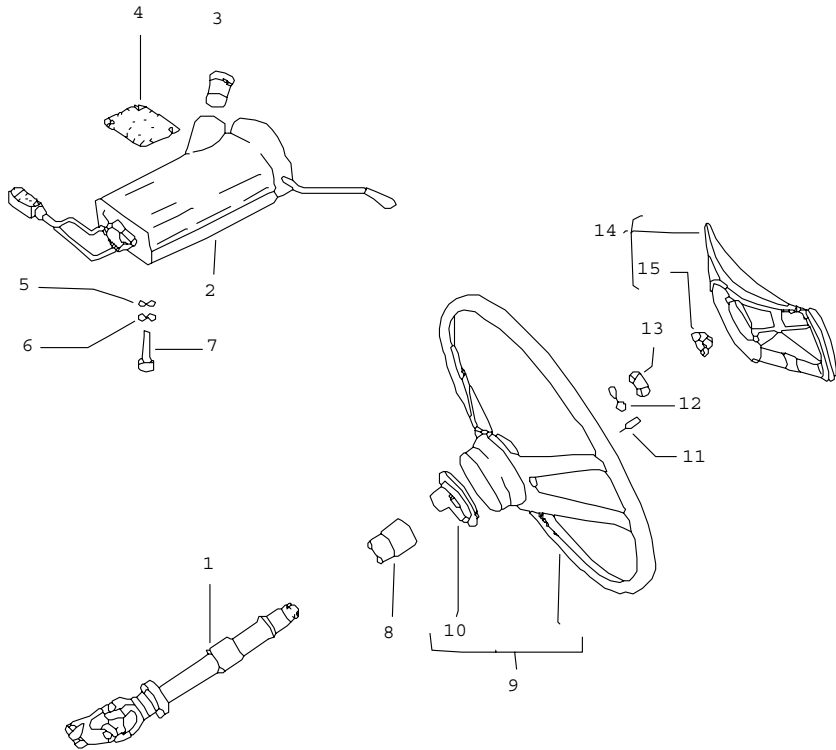
Pos	Part Number	Name	Remarks	Qty	Model
		steering shaft steering wheel steering column switch	-71		914-6
1	901 347 061 01	steering shaft		1	
2	900 052 031 00	deep-groove ball bearing		1	
3	900 041 008 00	circlip 17 X 1		1	
4	900 042 008 00	circlip 35 X 1,5		2	
5	914 347 072 00	steering outer tube		1	
6	914 347 711 00	steering shaft bearing		1	
7	914 347 713 00	compression spring		1	
8	900 146 044 02	oval-head screw AM 6 X 10		1	
10	900 031 001 02	washer 8,4		4	
11	900 027 005 01	lock ring A 8		4	
12	900 067 057 02	pan-head screw M 8 X 20		4	
13	--- --- --- ---	direction indicator switch see group 9/03/10		1	
14	--- --- --- ---	wiper switch see group 9/03/10		1	
15	900 014 069 02	pan-head screw AM 3 X 8		4	
16	900 115 007 01	serrated lock washer A 3,2		4	
17	901 559 330 01	logo 1 set for light and windscreen washer system		1	
18	901 613 915 00	plate for horn		1	
19	N 012 116 1	serrated lock washer A 4,3		2	

Model	Year	MG	SG	Illustration	Restrictions	Update	11:17	23.08.2006	PORSCHE	PET	PORSCHE
914	76	4	03	403-05		203					

Pos	Part Number	Name	Remarks	Qty	Model	Pos	Part Number	Name	Remarks	Qty	Model
20	900 014 013 02	pan-head screw M 4 X 10		2							
21	999 652 315 02	flat plug		1							
22	914 613 311 00	switch housing		2							
23	900 014 079 02	pan-head screw M 3 X 10		2							
24	900 014 013 02	pan-head screw M 4 X 10		4							
25	N 012 116 1	serrated lock washer A 4,3		4							
26	914 347 803 10	steering wheel hard-rubber ring		1							
(26)	914 347 806 10	steering wheel leather		1	M						
27	901 613 325 05	cancelling ring		1							
-	900 269 006 07	countersunk-head screw		2							
28	914 347 831 00	contacts		1							
29	N 012 239 1	spring washer B 18		1							
30	900 078 007 02	hexagon nut M 18 X 1,5		1							
31	914 613 805 12	horn button porsche		1							
32	901 347 823 01	rubber cap		1							
		- - - E N D - - -									

Model	Year	MG	SG	Illustration	Restrictions	Update	11:17	23.08.2006	PORSCHE	PET	PORSCHE
914	76	4	03	403-07		203					

Typ 914/4
bis Mod. 71

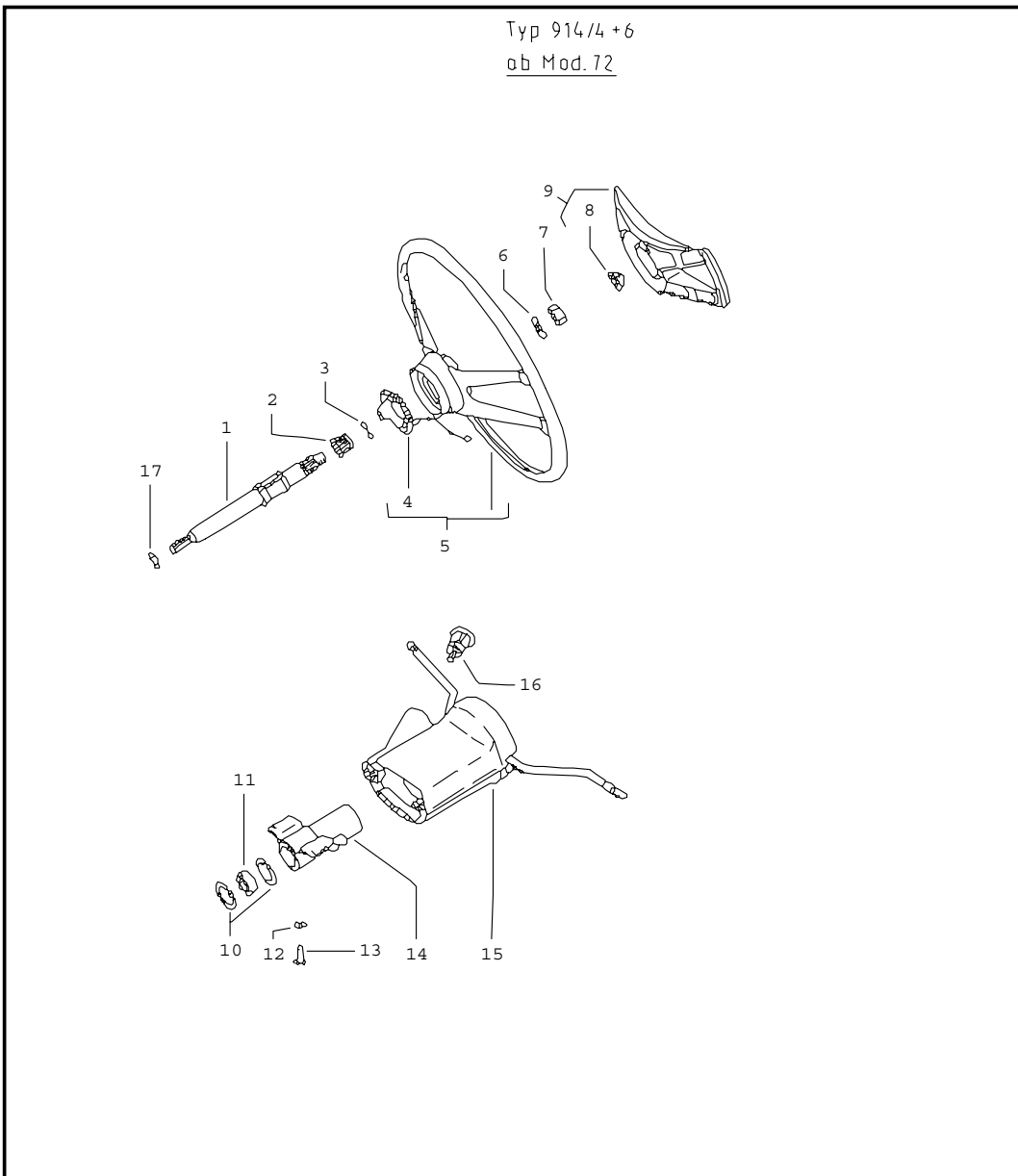


Pos	Part Number	Name	Remarks	Qty	Model
		steering shaft steering wheel steering column switch	-71		914-4
1	914 347 059 01	steering shaft		1	
2	--- --- --- ---	steering column switch see group 9/03/15		1	
3	--- --- --- ---	lock cylinder with keys see group 9/03/15		1	
4	914 347 102 10	desk pad rubber black		1	
5	900 031 001 02	washer 8,4		4	
6	900 027 005 01	lock ring A 8		4	
7	N 014 717 2	pan-head screw M 8 X 40		4	
8	914 347 174 00	bush		1	
9	914 347 803 10	steering wheel hard-rubber ring		1	
9	914 347 805 10	steering wheel leather		1	M
-	914 347 175 00	sleeve		1	
10	914 347 835 00	cancelling ring		1	
-	900 269 006 07	countersunk-head screw		2	
11	914 347 832 00	contacts		1	
12	N 012 239 1	spring washer B 18		1	
13	900 078 007 02	hexagon nut M 18 X 1,5		1	
14	914 613 805 12	horn button -VW-		1	
14	914 613 805 12	horn button -PORSCHE-		1	
15	901 347 823 01	rubber cap		1	

Model	Year	MG	SG	Illustration	Restrictions	Update					
914	76	4	03	403-07		203	11:17	23.08.2006	PORSCHE	PET	PORSCHE

Pos	Part Number	Name	Remarks	Qty	Model	Pos	Part Number	Name	Remarks	Qty	Model
		- - - E N D - - -									

Model	Year	MG	SG	Illustration	Restrictions	Update	11:18	23.08.2006	PORSCHE	PET	PORSCHE
914	76	4	03	403-10		203					

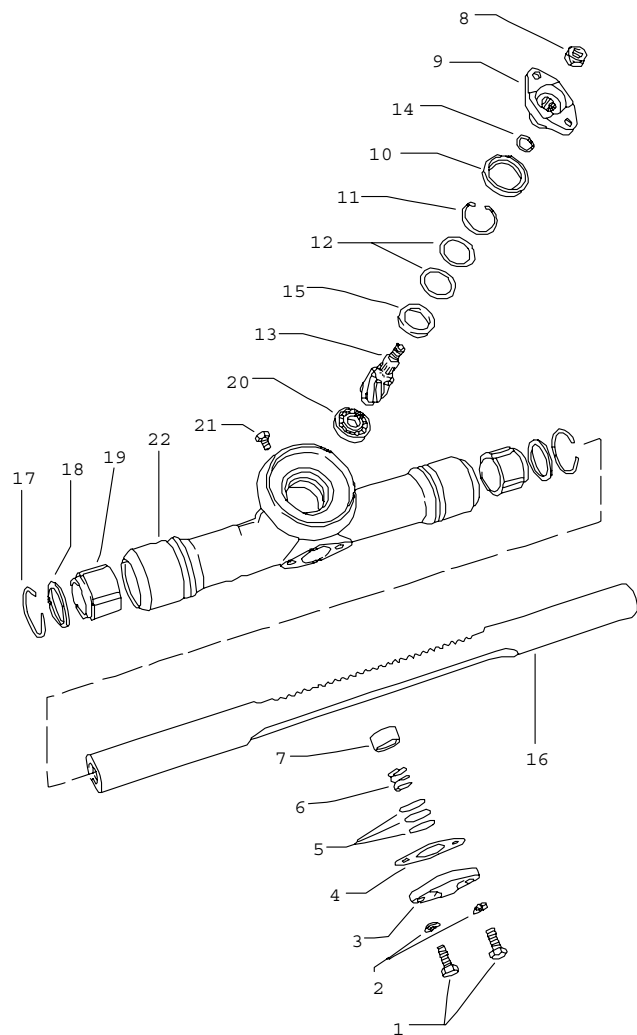


Pos	Part Number	Name	Remarks	Qty	Model
		steering shaft steering wheel steering column switch	72-		
1	914 347 061 18	steering shaft		1	
2	111 953 535 D	guide bush	72-74	1	
3	113 415 531	circlip		1	
4	914 347 099 00	slip ring		1	
-	900 269 006 07	countersunk-head screw		2	
5	914 347 804 11	steering wheel hard-rubber ring		1	
5	914 347 805 11	steering wheel leather		1	914-6
5	914 347 805 11	steering wheel leather		1	M914-4
(5)	914 347 809 00	steering wheel foam part		1	
6	N 012 239 1	spring washer		1	
7	900 078 007 02	hexagon nut M 18 X 1,5		1	
8	901 347 823 01	rubber cap		1	
9	914 613 805 12	horn button -VW-		1	
9	914 613 805 12	horn button porsche		1	
10	900 042 008 00	circlip 35 X 1,5		2	
11	900 052 031 00	deep-groove ball bearing		1	
12	900 027 005 01	lock ring A 8		4	
13	900 067 057 02	pan-head screw		4	
14	914 347 013 02	steering outer tube	72-73	1	
14	914 347 013 03	steering outer tube	74-	1	
15	--- --- --- --	steering column switch see group 9/03/20 9/03/25	-74 75-	1	

Model	Year	MG	SG	Illustration	Restrictions	Update	11:18	23.08.2006	PORSCHE	PET	PORSCHE
914	76	4	03	403-10		203					

Pos	Part Number	Name	Remarks	Qty	Model	Pos	Part Number	Name	Remarks	Qty	Model
16	-----	lock cylinder see group 9/03/20 9/03/25 - - - E N D - - -	-74 75-	1							

Model	Year	MG	SG	Illustration	Restrictions	Update	11:18	23.08.2006	PORSCHE	PET	PORSCHE
914	76	4	03	403-15		203					

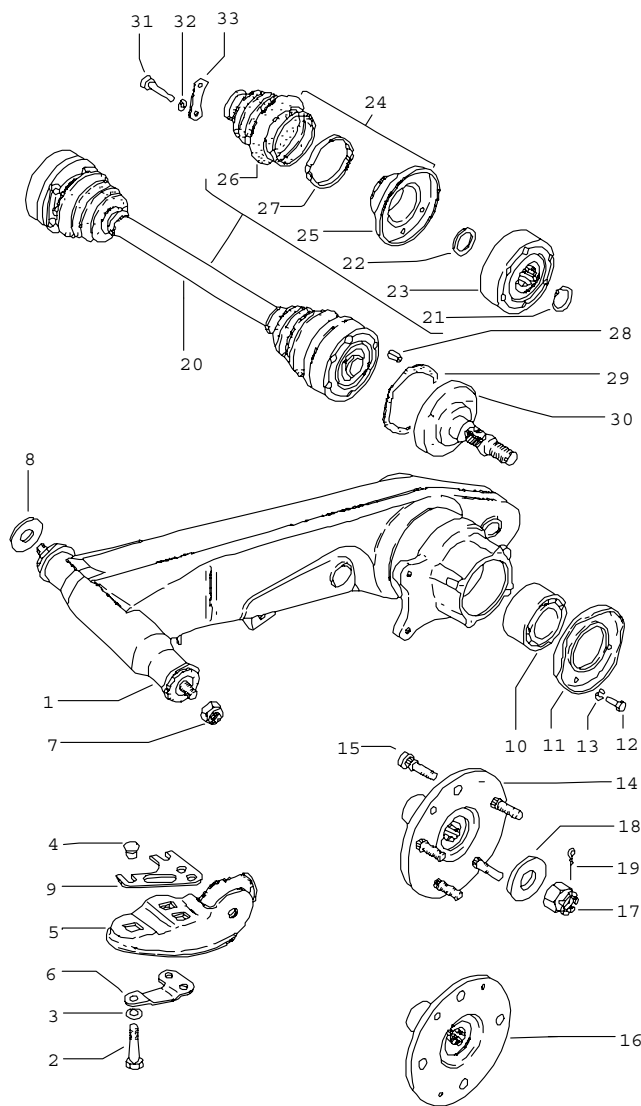


Pos	Part Number	Name	Remarks	Qty	Model
		steering gear repair material			
		for steering gear 914.347.010.00 914.347.010.03			
		not for 914-6			
1	N 010 239 11	hexagon-head bolt M 8 X 18		2	
2	N 012 241 1	spring washer B 8 X 15		2	
3	914 347 131 01	housing cover		1	
4	914 347 167 00	gasket		1	
5	914 347 166 00	adjusting shim 0,1 MM		X	
(5)	914 347 166 01	adjusting shim 0,15 MM		X	
(5)	914 347 166 02	adjusting shim 0,2 MM		X	
(5)	914 347 166 03	adjusting shim 0,5 MM		X	
(5)	914 347 166 04	adjusting shim 1,8 MM		1	
6	901 347 930 02	compression spring		1	
7	914 347 018 00	thrust ring		1	
8	N 021 195 1	nut M 10		1	
9	914 347 201 00	flange		1	
10	900 112 019 40	radial shaft seal		1	
11	900 042 007 00	circlip 32 X 1,2		1	
12	914 347 163 00	shim 0,1 MM		X	
(12)	914 347 163 01	shim 0,15 MM		X	
(12)	914 347 163 02	shim 0,3 MM		X	

Model	Year	MG	SG	Illustration	Restrictions	Update	11:18	23.08.2006	PORSCHE	PET	PORSCHE
914	76	4	03	403-15		203					

Pos	Part Number	Name	Remarks	Qty	Model	Pos	Part Number	Name	Remarks	Qty	Model
(12)	914 347 163 03	shim 1,8 MM		X							
13	914 347 117 00	drive pinion		1							
14	999 701 352 40	o-ring R 12 - 1,7		1							
15	900 052 007 00	deep-groove ball bearing		1							
16	914 347 111 00	steering rack		1							
17	900 152 013 00	snap ring		2							
18	914 347 162 00	support washer		2							
19	914 347 017 01	bearing sleeve		2							
20	900 052 007 00	deep-groove ball bearing		1							
21	N 010 231 1	hexagon-head bolt M 8 X 8		1							
22	914 347 014 00	housing		1							
		- - - E N D - - -									

Model	Year	MG	SG	Illustration	Restrictions	Update	11:18	23.08.2006	PORSCHE	PET	PORSCHE
914	76	5	01	501-00		203					

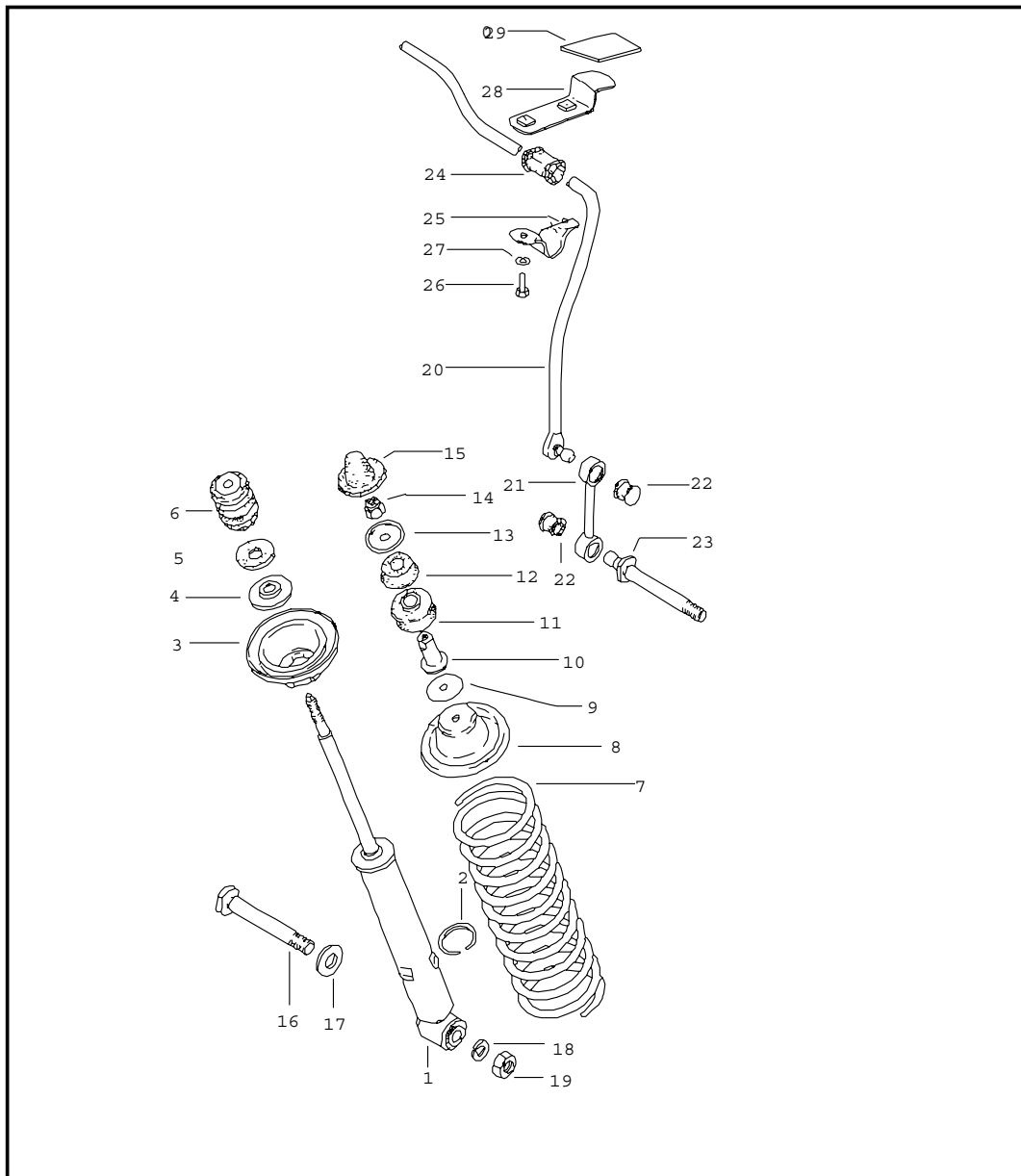


Pos	Part Number	Name	Remarks	Qty	Model
		rear axle			
1	914 331 057 03	control arm with bearing	/L	1	
(1)	914 331 058 03	control arm with bearing	/R	1	
2	900 074 192 01	hexagon-head bolt M 10 X 55		6	
3	N 015 375 1	lock washer M 10		6	
4	PCG 331 520 00	plug		6	
5	914 331 051 01	link bearing	/L	1	
(5)	914 331 052 01	link bearing	/R	1	
6	914 331 515 01	plate	/L	1	
(6)	914 331 516 01	plate	/R	1	
7	999 084 029 02	hexagon nut M 14 X 1,5		4	
8	N 011 534 4	washer 15		2	
9	914 331 533 03	intermediate layer 2 MM		X	
(9)	914 331 533 04	intermediate layer 3 MM		X	
(9)	914 331 533 03	intermediate piece 4 MM		X	
10	999 053 035 00	ball bearing two-row		2	
11	914 331 213 00	housing		2	
12	900 075 078 02	hexagon-head bolt M 8 X 15		8	
13	900 027 015 02	lock ring B 8		8	
14	901 331 065 09	rear-wheel hub		2	914-6
15	904 341 671 00	wheel bolt		10	914-6
16	914 331 605 07	rear-wheel hub		2	914-4/1,7 914-1,8/2,0

Model	Year	MG	SG	Illustration	Restrictions	Update	11:18	23.08.2006	PORSCHE	PET	PORSCHE
914	76	5	01	501-00		203					

Pos	Part Number	Name	Remarks	Qty	Model	Pos	Part Number	Name	Remarks	Qty	Model
17	901 332 806 00	castle nut		2							
18	999 025 046 01	washer		2							
19	N 012 538 1	cotter pin 4 X 40		2							
20	914 332 009 03	drive shaft complete		2							
(20)	914 332 009 03	drive shaft complete		2	914-6						
(21)	999 041 016 01	circlip		4	914-6						
21	113 517 279	circlip		4	914-4/1,7 914-1,8/1,8V 914-2,0						
22	113 501 327	cup spring		4	914-4/1,7 914-1,8/1,8V 914-2,0						
23	914 332 029 03	constant-velocity joint		4	914-4/1,7 914-1,8/1,8V 914-2,0						
24	914 332 035 00	sealing sleeve		4	914-4/1,7 914-1,8/1,8V 914-2,0						
25	914 332 228 01	protection cap		4	914-6						
26	901 332 293 10	boot		4	914-6						
27	914 332 335 00	clamp		4	914-6						
28	999 095 019 00	clamping pin S 10 X 20		8							
29	914 332 237 01	gasket		4							
30	PCG 332 223 00	drive flange		2	914-6						
(30)	914 332 223 01	drive shaft		2	914-4/1,7 914-1,8/2,0						
31	893 407 237	pan-head screw M 8 X 45		16							
32	999 523 102 02	lock washer M 8		16	914-6						
33	901 332 191 00	plate		8	914-6						
33	113 501 329	plate		8							
- - - E N D - - -											

Model	Year	MG	SG	Illustration	Restrictions	Update	11:18	23.08.2006	PORSCHE	PET	PORSCHE
914	76	5	02	502-00		203					



Pos	Part Number	Name	Remarks	Qty	Model
		vibration damper stabiliser			
1	914 333 051 01	vibration damper - boge -		2	914-6
1	914 333 051 02	vibration damper - boge -		2	914-4/1,7 914-1,8/1,8V 914-2,0
3	914 333 521 01	concave washer - boge - lower		2	
(3)	914 333 521 04	concave washer - bilstein - lower	M M M	2	914-4/1,7 914-1,8/1,8V 914-2,0
-	914 333 533 01	support ring - bilstein -	M M M	2	914-4/1,7 914-1,8/1,8V 914-2,0
4	914 333 503 00	cap - boge -		2	
5	901 333 511 00	washer		2	
6	914 333 053 01	additional spring		2	
7	914 333 531 05	coil spring		1	914-6
	104	set 2 ST.			
7	914 333 901 00	coil spring set 2 ST.		1	914-4/1,7 914-1,8/1,8V 914-2,0
8	914 333 522 01	concave washer upper		2	
9	914 333 515 01	washer		2	
10	914 333 516 00	threaded bush		2	
11	914 333 513 01	ring		2	
12	914 333 514 01	ring upper		2	
13	914 333 515 00	washer		2	
14	900 910 042 02	nut		2	914-6
(14)	900 910 042 02	nut		2	914-4/1,7 914-1,8/1,8V 914-2,0

Model	Year	MG	SG	Illustration	Restrictions	Update	11:18	23.08.2006	PORSCHE	PET	PORSCHE
914	76	5	02	502-00		203					

Pos	Part Number	Name	Remarks	Qty	Model	Pos	Part Number	Name	Remarks	Qty	Model
15	914 559 281 10	cap		2							
16	914 333 565 01	pin		2							
17	914 333 566 00	washer		2							
18	900 027 018 01	lock ring B 18		2							
19	900 078 007 02	hexagon nut M 18 X 1,5		2							
20	914 333 055 06	stabiliser \$ 16		1							
21	914 333 057 00	fastening clip		2							
22	901 343 782 00	bush		4							
23	914 333 565 01	pin		2							
24	901 333 793 01	lever		2							
25	901 333 753 01	supporting bow		2							
26	900 075 087 02	hexagon-head bolt M 8 X 16		4							
27	900 027 015 02	lock ring B 8		4							
28	914 501 259 10	mounting plate	-74	2							
28	914 501 259 11	mounting plate	/L 75-	1	914-1,8V/2,0						
28	914 501 260 11	mounting plate	/R 75-	1	914-1,8V/2,0						
29	914 501 532 71	reinforcement	-74	2							
29	914 501 532 71	reinforcement picture 28 + 29 for subsequent installat.	75-	2	914-1,8V/2,0						
			- - - E N D - - -								

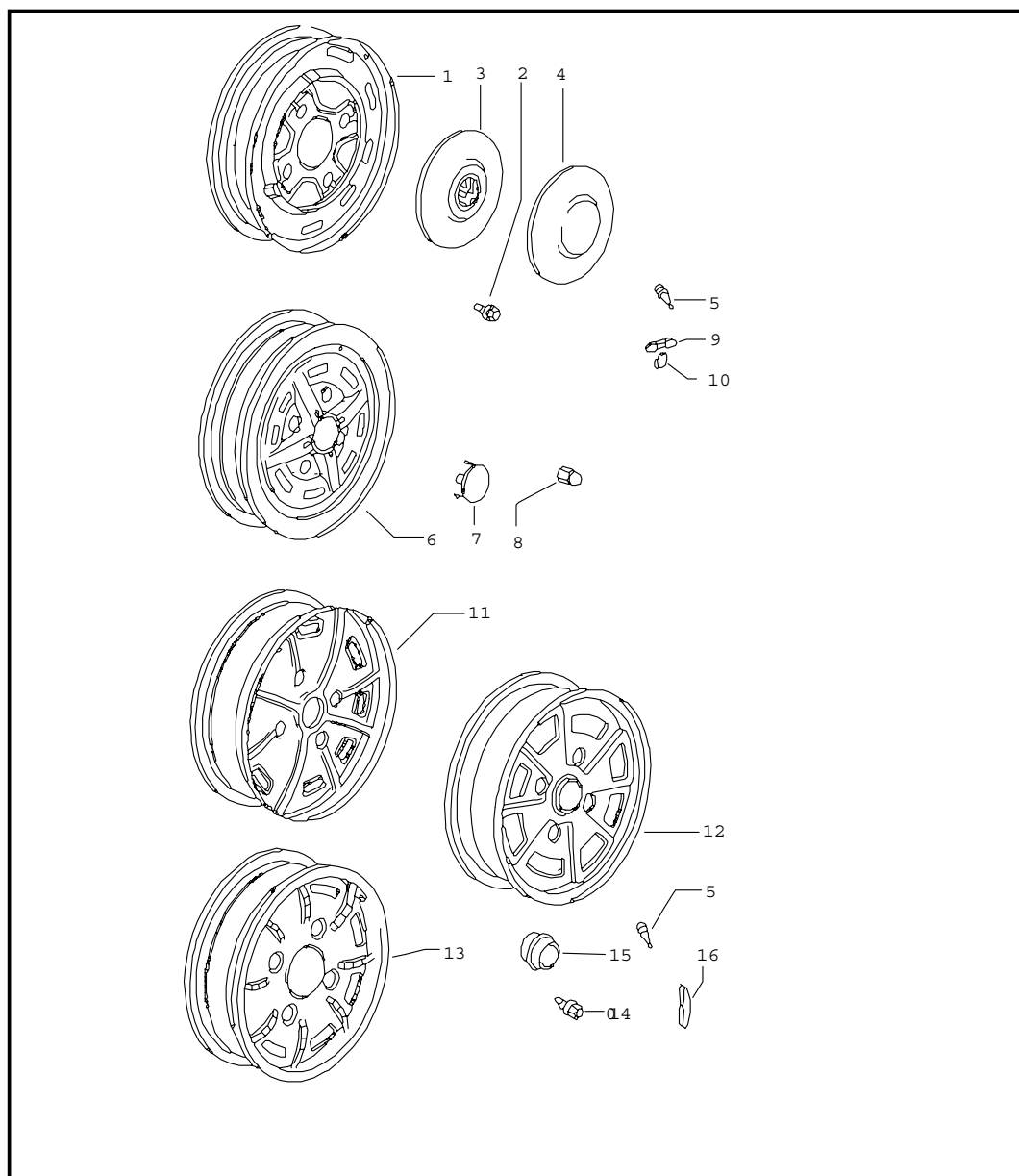
Model	Year	MG	SG	Illustration	Restrictions	Update	11:19	23.08.2006	PORSCHE	PET	PORSCHE
914	76	6	01	601-00		203					

Pos	Part Number	Name	Remarks	Qty	Model
		wheels			914-6
-	999 985 056 X0	tyre - PNEUMANT - 165 R15 86V		5	
-	911 361 056 X0	hose		5	
1	911 361 022 00	perforated disc wheel 5 1/2 J X 15 H2 ET 42 prime coated		5	
(1)	911 361 022 20	perforated disc wheel 5 1/2 J X 15 H2 ET 42 chrome	M	5	
-	901 361 121 00	retainer spring for valve		5	
2	N 020 112 1	ball seat nut		20	
3	901 361 301 04	hub cap with bores for badge		4	
4	999 591 423 03	tapping nut		12	
5	901 559 801 01	badge chrome		4	
(5)	644 559 801 00	badge coloured	M	4	
-	-	balance weight for steel wheel and aluminium 911.361.016.00 inner		X	
7	928 361 410 00	balance weight 10 GR.		X	
(7)	928 361 411 00	balance weight 20 GR.		X	
(7)	928 361 412 00	balance weight 30 GR.		X	
(7)	928 361 413 00	balance weight 40 GR.		X	
(7)	928 361 414 00	balance weight 50 GR.		X	

Model	Year	MG	SG	Illustration	Restrictions	Update	11:19	23.08.2006	PORSCHE	PET	PORSCHE
914	76	6	01	601-00		203					

Pos	Part Number	Name	Remarks	Qty	Model	Pos	Part Number	Name	Remarks	Qty	Model
(7)	928 361 415 00	balance weight 60 GR.		X		(13)	901 361 413 00	balance stick-on weight 40 GR.		X	
(7)	928 361 416 00	balance weight 70 GR.		X		(13)	901 361 414 00	balance stick-on weight 50 GR.		X	
(7)	928 361 417 00	balance weight 80 GR.		X		(13)	901 361 415 00	balance stick-on weight 60 GR.		X	
8	914 361 441 00	retainer spring for weight		X		(13)	901 361 417 00	balance stick-on weight 80 GR.		X	
9	911 361 016 90	perforated disc wheel aluminium forged unvarnished 5 1/2 J X 14 H2 ET 41	M	5				- - - E N D - - -			
9	901 361 012 04	perforated disc wheel aluminium forged 5 1/2 J X 15 ET 42 polished anodised and black lacquered	M	5							
10	901 361 017 00	perforated disc wheel aluminium die casting 5 1/2 J X 15 ET 42 lacquered	M	5							
11	999 182 003 36	wheel nut	M	20							
12	901 361 032 00	hub cap	M	4							
(12)	SOW 911 038 11	hub cap black emblem coloured		4							
-	-	balance stick-on weight for disc wheel aluminium	M	X							
13	901 361 410 00	balance stick-on weight 10 GR.		X							
(13)	901 361 411 00	balance stick-on weight 20 GR.		X							
(13)	901 361 412 00	balance stick-on weight 30 GR.		X							

Model	Year	MG	SG	Illustration	Restrictions	Update	11:19	23.08.2006	PORSCHE	PET	PORSCHE
914	76	6	01	601-05		203					

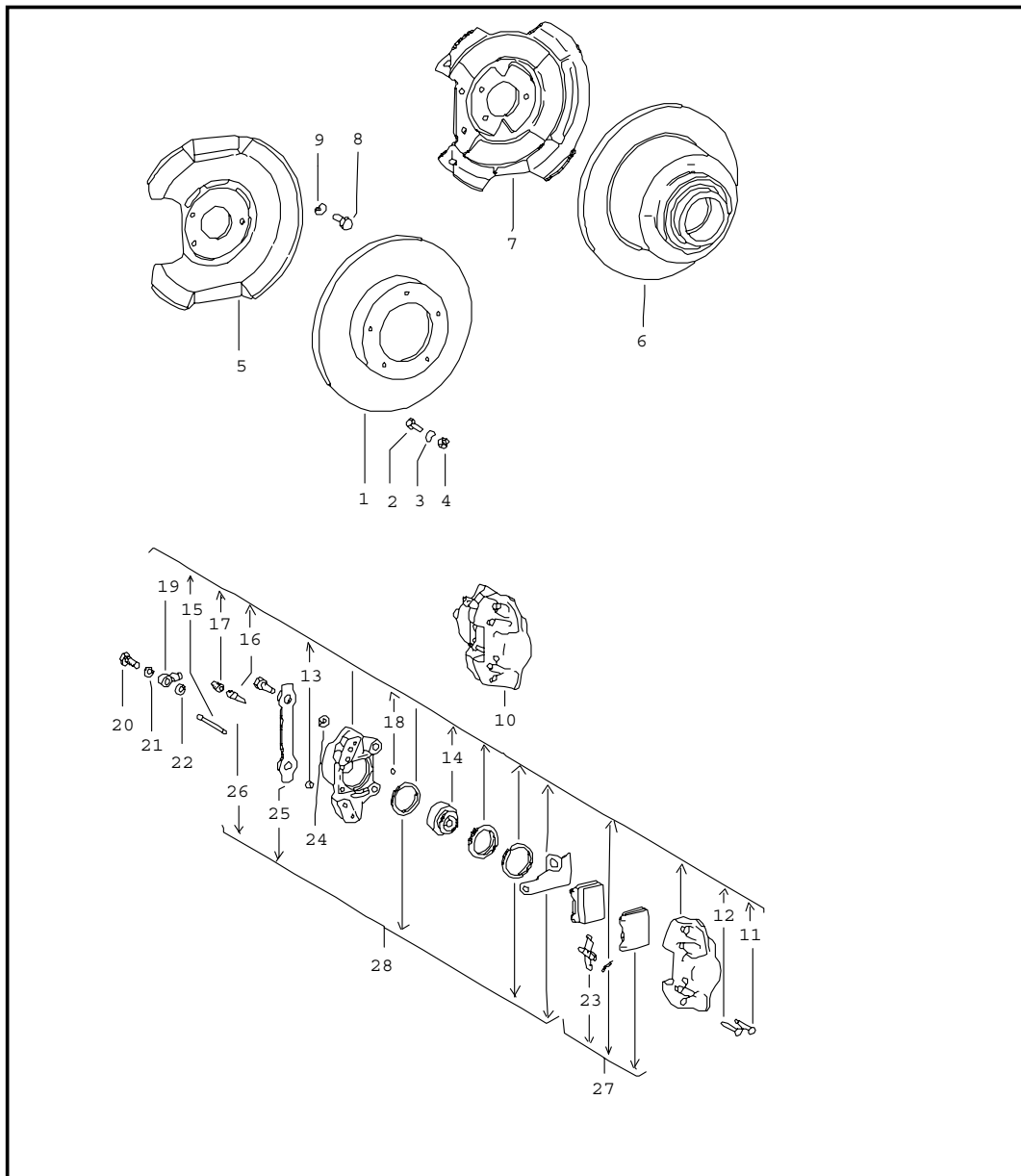


Pos	Part Number	Name	Remarks	Qty	Model
		wheels			914
-	999 985 056 X0	tyre - PNEUMANT - 165 R15 86V		5	
-	911 361 056 X0	hose		5	
1	311 601 025 J	disc wheel 4 1/2 J X 15 lacquered	-73	5	914-4/1,7 914-2,0
(1)	914 361 012 02	perforated disc wheel 5 1/2 J X 15 H2 ET 40 lacquered	-73	5	914-4/1,7 914-2,0
2	183 601 139 A	fastening screw		16	
3	311 601 151 D	hub cap with - VW-SYMBOL-	-73	4	914-4
4	473 601 151	hub cap without - VW-SYMBOL	-73	4	914-4/1,7 914-2,0
5	900 265 001 50	rubber valve for tyre without hose		5	
6	914 361 016 00	steel wheel 5 1/2 J X 15 H2 ET 40	74-	5	914-1,8V/1,8 914-2,0
7	914 361 305 00	hub cap	74-	4	914-1,8V/1,8 914-2,0
8	111 601 173	cap for wheel bolt balance weight for steel wheel	/2,0 74-	16	914-1,8V/1,8 914-2,0
(9)	928 361 411 00	balance weight 20 GR.		X	
(9)	928 361 412 00	balance weight 30 GR.		X	
(9)	928 361 413 00	balance weight 40 GR.		X	
(9)	928 361 415 00	balance weight 60 GR.		X	

Model	Year	MG	SG	Illustration	Restrictions	Update	11:19	23.08.2006	PORSCHE	PET	PORSCHE
914	76	6	01	601-05		203					

Pos	Part Number	Name	Remarks	Qty	Model	Pos	Part Number	Name	Remarks	Qty	Model
(9)	928 361 417 00	balance weight 80 GR.		X							
(9)	311 601 189 A	weight 100 GR.		X							
10	141 601 180	spring for balance weight		X							
11	914 361 013 01	perforated disc wheel light alloy - PEDRINI - 5 1/2 J X 15 H2 ET 40	M	5	914-4/1,7						
12	914 361 011 01	perforated disc wheel light alloy - FUCHS - 5 1/2 J X 15 H2 ET 40	M	5							
13	914 361 015 00	perforated disc wheel light alloy - mahle - 5 1/2 J X 15 H2 ET 40	M	5							
14	914 361 315 01	wheel bolt		16							
15	914 361 303 03	hub cap		4							
		balance stick-on weight for cast alumin. alloy wheels									
(16)	901 361 410 00	balance stick-on weight 10 GR.		X							
(16)	901 361 411 00	balance stick-on weight 20 GR.		X							
(16)	901 361 412 00	balance stick-on weight 30 GR.		X							
(16)	901 361 413 00	balance stick-on weight 40 GR.		X							
(16)	901 361 414 00	balance stick-on weight 50 GR.		X							
(16)	901 361 415 00	balance stick-on weight 60 GR.		X							
(16)	901 361 417 00	balance stick-on weight 80 GR.		X							
		- - - E N D - - -									

Model	Year	MG	SG	Illustration	Restrictions	Update	11:19	23.08.2006	PORSCHE	PET	PORSCHE
914	76	6	02	602-00		203					



Pos	Part Number	Name	Remarks	Qty	Model
		disc brake front			
1	477 405 083 A	brake disc		2	914-6
2	900 075 079 02	hexagon-head bolt M 8 X 22		10	914-6
3	N 012 241 1	spring washer B 8 X 15		10	914-6
4	900 076 025 02	hexagon nut M 8		10	914-6
5	901 351 801 17	protective plate		2	914-6
6	411 407 075	brake disc F >>47229 19032	-72	2	914-4
6	411 407 075 B	brake disc F 47229 19033>>	72-	2	914-4/1,7 914-1,8/2,0
(7)	411 407 163 B	cover plate	-70	2	914-4
7	411 407 165 C	cover plate F >>47229 19032	-72	2	914-4
7	914 351 801 02	cover plate F 47229 19033>>	72-	2	914-4/1,7 914-1,8/1,8V 914-2,0
8	N 010 237 6	hexagon-head bolt M 8 X 12 F >>47229 19032	-72	6	914-6/4
8	N 010 235 3	hexagon-head bolt M 8 X 10 F 47229 19033>>	72-	6	914-4/1,7 914-1,8/1,8V 914-2,0
9	N 012 241 1	spring washer B 8 X 15		6	914-6
(9)	900 027 015 02	lock ring B 8		6	
10	911 351 907 00	fixed calliper without pad	/L	1	914-6
(10)	911 351 908 00	fixed calliper without pad	/R	1	914-6
10	311 615 107 B	fixed calliper without pad F >>47229 19032	/L -72	1	914-4

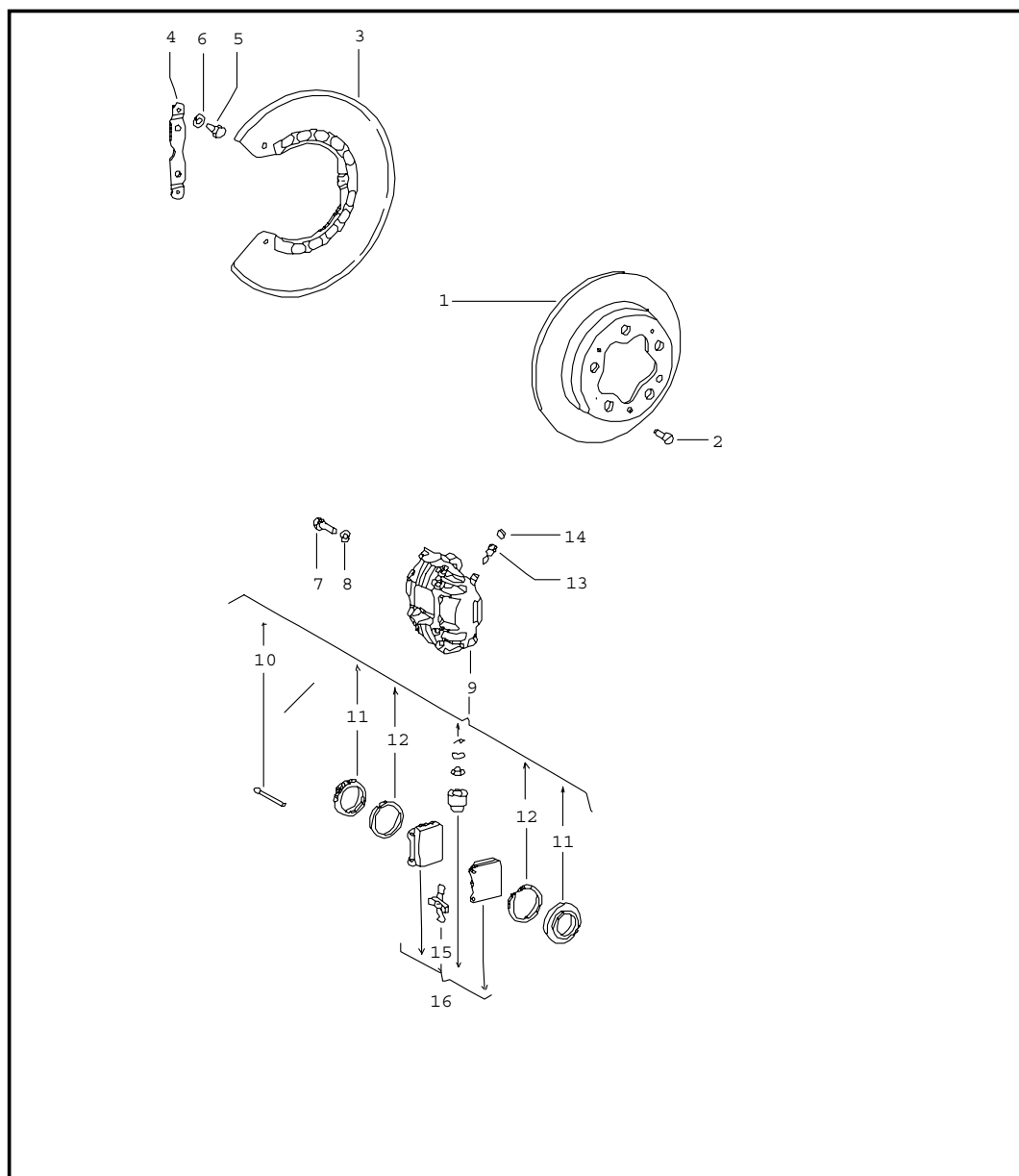
Model	Year	MG	SG	Illustration	Restrictions	Update	11:19	23.08.2006	PORSCHE	PET	PORSCHE
914	76	6	02	602-00		203					

Pos	Part Number	Name	Remarks	Qty	Model	Pos	Part Number	Name	Remarks	Qty	Model
(10)	311 615 108 B	fixed calliper without pad F >>47229 19032	/R -72	1	914-4	15	* 411 615 261 A	retaining pin		4	914-4/1,7 914-1,8/1,8V 914-2,0
10	914 351 425 00	fixed calliper without pad F 47229 19033>>	/L 72-	1	914-4/1,7 914-1,8/1,8V 914-2,0	16	901 352 977 10	ventilation valve	72-	2	914-6
(10)	914 351 426 00	fixed calliper without pad F 47229 19033>>	/R 72-	1	914-4/1,7 914-1,8/1,8V 914-2,0	16	311 615 273	ventilation valve		2	914-4
11	901 351 945 10	pan-head screw		4	914-6	16	311 615 273	ventilation valve		4	914-1,7/1,8 914-1,8V/2,0
11	411 615 141	pan-head screw M 7 X 50 F >>47229 19032	-72	4	914-4	17	211 611 483	dust boot		2	914-6/4
(11)	411 615 141 A	hexagon-head bolt F 47229 19033>>	72-	4	914-4/1,7 914-1,8/1,8V 914-2,0	17	211 611 483	dust boot		4	914-1,7/1,8 914-1,8V/2,0
12	901 351 946 10	pan-head screw		4	914-6	18	901 351 928 10	sealing ring		8	914-6
12	411 615 143	pan-head screw M 7 X 55 F >>47229 19032	-72	4	914-4	18	311 615 277	sealing ring		4	
(12)	411 615 143 A	hexagon-head bolt F 47229 19033>>	72-	4	914-4/1,7 914-1,8/1,8V 914-2,0	19	914 355 531 00	socket piece		2	914-6
13	N 011 008 8	hexagon nut M 8		8	914-6	20	901 355 531 00	banjo bolt		2	914-6
13	311 615 147	hexagon nut F >>47229 19032	-72	8	914-4	21	904 355 902 00	gasket outer		2	914-6
14	901 351 097 10	piston		4	914-6	22	904 355 904 00	gasket inner		2	914-6
14	311 615 151	piston F >>47229 19032	-72	4	914-4	23	* 901 351 916 14	expanding spring		2	914-6
14	914 351 918 00	piston F 47229 19033>>	72-	4	914-4/1,7 914-1,8/1,8V 914-2,0	23	* 901 351 916 16	expanding spring F >>47229 19032	-72	2	914-4
15	901 351 913 16	retaining pin		4	914-6	23	411 615 269 A	expanding spring		2	914-4/1,7 914-1,8/1,8V 914-2,0
15	411 615 261	retaining pin F >>47229 19032	-72	4	914-4	24	* 900 028 014 01	spring washer	72-	4	914-6
						25	411 615 291	tab washer		2	914-4/1,7 914-1,8/1,8V 914-2,0
						26	* N 010 127 4	hexagon-head bolt M 12 X 1,5 X 30		4	
						27	911 352 950 04	set of brake pads without asbestos without installation parts		1	914-6

Model	Year	MG	SG	Illustration	Restrictions	Update	11:19	23.08.2006	PORSCHE	PET	PORSCHE
914	76	6	02	602-00		203					

Pos	Part Number	Name	Remarks	Qty	Model	Pos	Part Number	Name	Remarks	Qty	Model
(27)	911 352 950 04	set of brake pads without asbestos without installation parts F >>47229 19032	-72	1	914-4						
(27)	914 351 905 01	set of brake pads without asbestos without installation parts F 47229 19033>>	73- 72-	1	914-4						
(28) *	901 351 964 11	set of seals		2	914-6						
28 *	411 698 471	gasket set F >>47229 19032	-72 -72	2	914-4						
(28) *	411 698 471 A	gasket set F 47229 19033>>	73- 72-	2	914-4						
		- - - E N D - - -									

Model	Year	MG	SG	Illustration	Restrictions	Update	11:19	23.08.2006	PORSCHE	PET	PORSCHE
914	76	6	03	603-00		203					

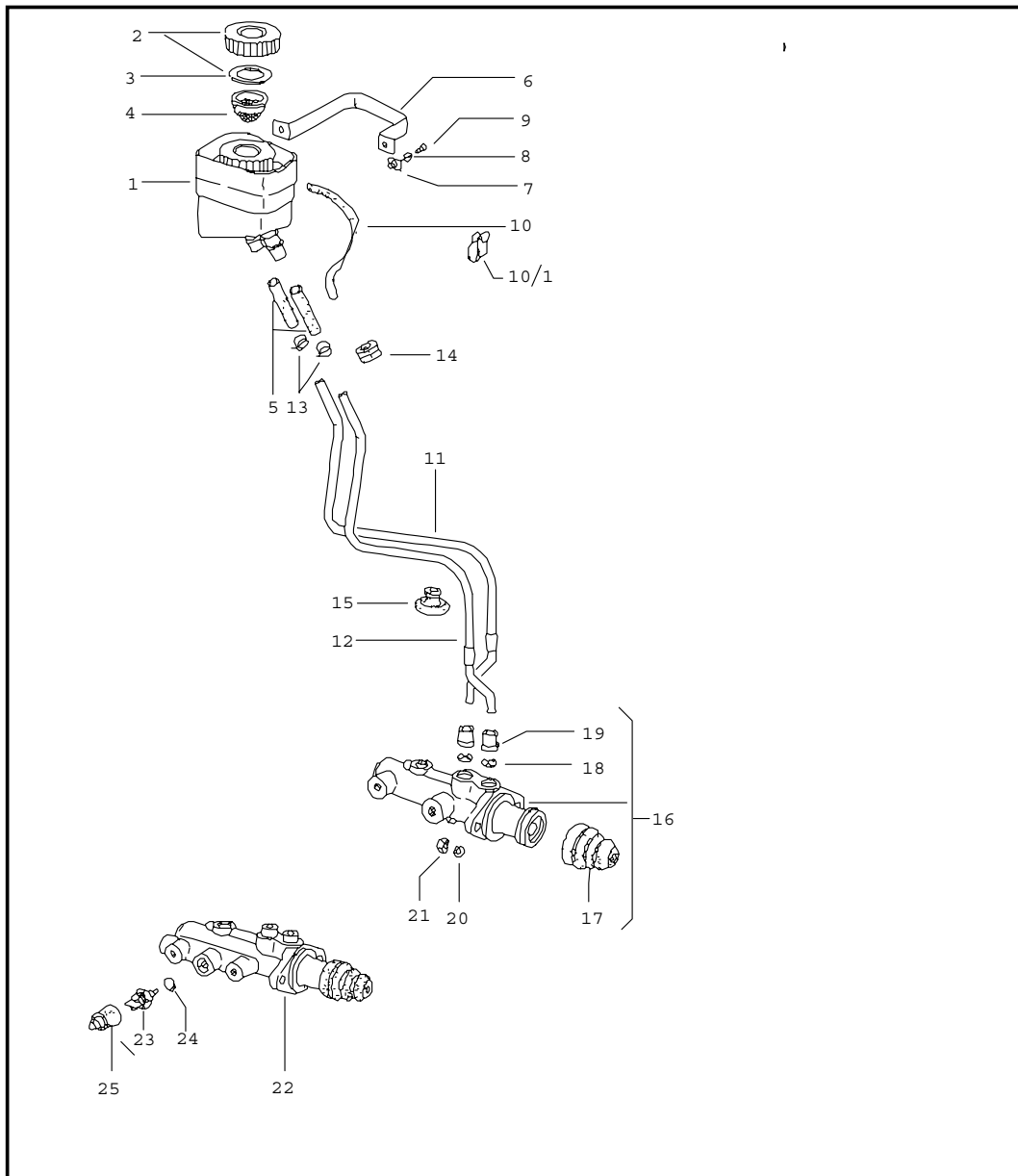


Pos	Part Number	Name	Remarks	Qty	Model
		disc brake rear			SB
1	901 352 401 18	brake disc		2	914-6
(1)	914 352 401 10	brake disc		2	
2	900 013 037 02	countersunk-head screw 6 X 12		4	
3	901 352 801 21	protective plate		2	914-6
(3)	914 352 801 00	protective plate		2	
4	914 352 085 00	holder		2	914-6
(4)	914 352 085 00	holder		2	
5	N 010 235 3	hexagon-head bolt M 8 X 10		6	
6	N 012 241 11	spring washer B 8 X 15		6	
7	N 010 127 4	hexagon-head bolt M 12 X 1,5 X 30		4	
8	900 028 014 01	spring washer B 12		4	
9	914 352 901 00	fixed calliper without brake pad	/L	1	914-6
(9)	914 352 902 00	fixed calliper without brake pad	/R	1	914-6
9	914 352 423 00	fixed calliper without brake pad	/L	1	
(9)	914 352 424 00	fixed calliper without brake pad	/R	1	
10	914 352 922 00	retaining pin		2	914-6
(10)	914 352 921 00	retaining pin		2	914-6
10	901 351 913 14	retaining pin		2	
(10)	914 352 925 00	retaining pin		2	
11	914 352 906 00	protection cap		4	914-6
11	901 352 937 10	protection cap		4	

Model	Year	MG	SG	Illustration	Restrictions	Update	11:19	23.08.2006	PORSCHE	PET	PORSCHE
914	76	6	03	603-00		203					

Pos	Part Number	Name	Remarks	Qty	Model	Pos	Part Number	Name	Remarks	Qty	Model
12	901 352 988 00	retaining ring		4	914-6						
12	914 352 926 00	retaining ring		4							
13	901 352 977 10	ventilation valve		2	914-6/4						
13	901 352 977 10	ventilation valve		4	914-1,7/1,8V 914-1,8/2,0						
14	211 611 483	dust boot		2	914-6/4						
14	211 611 483	dust boot		4	914-1,7/1,8V 914-1,8/2,0						
15	901 351 916 16	expanding spring		2	914-6						
15	311 615 269	expanding spring		2							
16	914 352 903 01	set of brake pads without asbestos without installation parts		1	914-6						
-	901 351 916 16	expanding spring		2							
-	914 352 921 00	retaining pin		2							
-	914 352 922 00	retaining pin		2							
-	901 351 955 10	lock		4							
16	914 352 923 01	set of brake pads without asbestos without installation parts		1							
-	311 615 269	expanding spring		2							
-	901 351 913 14	retaining pin		2							
-	914 352 925 00	retaining pin		2							
-	901 351 955 10	lock		4							
17	914 352 900 00	repair kit plug comprising:		1							
-	914 352 918 00	screw plug		2							
-	901 351 955 10	lock		4							
-	914 352 919 00	cap		2							
-	900 123 003 20	sealing ring		2							
		- - - E N D - - -									

Model	Year	MG	SG	Illustration	Restrictions	Update	11:19	23.08.2006	PORSCHE	PET	PORSCHE
914	76	6	04	604-00		203					

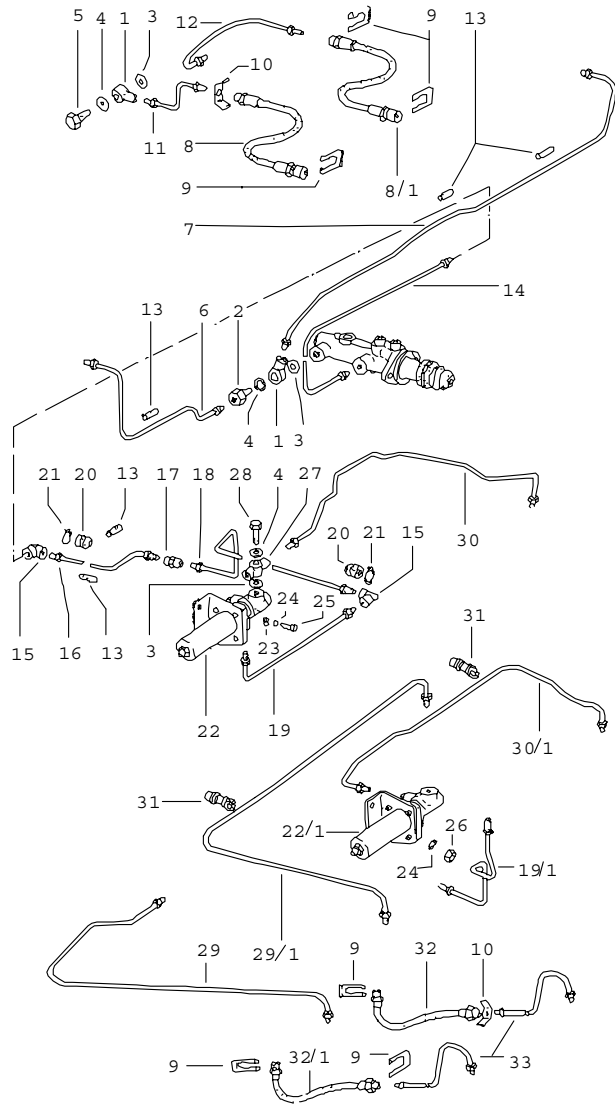


Pos	Part Number	Name	Remarks	Qty	Model
(1)	911 355 013 13	brake fluid reservoir brake master cylinder		1	914-6
1	911 355 013 13	brake fluid reservoir		1	914-4/1,7 914-1,8/1,8V 914-2,0
2	477 611 361	cover		1	
3	901 355 908 00	gasket		1	
4	211 611 381 B	strainer		1	
5	901 355 927 02	hose piece 50 MM		2	914-6
5	N 020 350 1	hose 50 MM		2	* 914-4/1,7 914-1,8/1,8V 914-2,0
6	914 355 907 00	retaining strap		1	
7	N 015 429 2	speed nut B 4,2		2	
8	900 151 028 02	washer A 4,3		2	
9	900 143 007 02	tapping screw B 4,2 X 13		2	
10	914 355 653 00	overflow hose 6 X 4 X 1000 MM		X	914-6/4
10/1	999 651 152 02	cable clamp		X	914-6/4
11	PCG 355 061 10	connecting line		1	
12	PCG 355 063 10	connecting line		1	
13	999 512 055 02	hose clamp		2	
14	311 971 911	rubber sleeve		X	914-6/4
15	111 957 861	rubber sleeve		2	
16	901 355 012 00	brake master cylinder § 19,05		1	914-6
(16)	914 355 011 00	brake master cylinder § 17,46		1	914-4/1,7 914-1,8/1,8V 914-2,0
17	901 355 924 00	protection cap		1	
18	901 355 936 00	washer		2	

Model	Year	MG	SG	Illustration	Restrictions	Update	11:19	23.08.2006	PORSCHE	PET	PORSCHE
914	76	6	04	604-00		203					

Pos	Part Number	Name	Remarks	Qty	Model	Pos	Part Number	Name	Remarks	Qty	Model
19	901 355 929 00	plug		2							
20	900 027 015 02	lock ring B 8		2							
21	900 076 025 02	hexagon nut M 8		2							
22	911 355 012 02	brake master cylinder \$ 19,05 with warning contact	M	1	914-6						
(22)	914 355 012 00	brake master cylinder \$ 17,46 with warning contact	M	1	914-4/1,7 914-1,8/1,8V 914-2,0						
23	901 613 115 00	warning contact 2-pole	-73	1	914-6/4/1,7 914-2,0						
(23)	914 613 116 00	warning contact single pole	74-	1	914-1,8V/1,8 914-2,0						
24	999 701 343 40	o-ring 12,42 - 1,78		1							
25	914 613 491 00	rubber cap		1							
		- - - E N D - - -									

Model	Year	MG	SG	Illustration	Restrictions	Update	11:20	23.08.2006	PORSCHE	PET	PORSCHE
914	76	6	04	604-05		203					



Pos	Part Number	Name	Remarks	Qty	Model
		brake lines			
1	914 355 531 00	socket piece	-71	3	914-6/4
1	914 355 531 00	socket piece	-72	3	914-6
1	914 355 531 00	socket piece	72-	1	
2	695 351 534 00	banjo bolt		1	
3	904 355 904 00	gasket metal \$ 10 MM	-71	4	914-6/4
3	904 355 904 00	gasket metal \$ 10 MM	72-	4	914-6
3	904 355 904 00	gasket metal \$ 10 MM	72-	2	
4	904 355 902 00	gasket metal \$ 12 MM	-71	4	914-6/4
4	904 355 902 00	gasket metal \$ 12 MM	72-	4	914-6
4	904 355 902 00	gasket metal \$ 12 MM	72-	2	
5	901 355 531 00	banjo bolt		2	914-6
5	901 355 531 00	banjo bolt	-71	2	914-4
6	914 355 617 00	brake line	/V/L	1	
7	914 355 618 00	brake line	/V/R	1	
8	901 355 632 01	brake hose	/V	2	914-6
8	901 355 632 01	brake hose	/V -71	2	914-4
8/1	211 611 775 B	brake hose	/V 72-	2	914-4/1,7 914-1,8V/2,0
9	914 355 665 00	brake hose bracket		4	914-6
9	914 355 665 00	brake hose bracket		8	
10	803 611 715	retainer spring	-71	4	914-6/4
11	914 355 603 00	brake line	/V/L/V/R	2	914-6

Model	Year	MG	SG	Illustration	Restrictions	Update	11:20	23.08.2006	PORSCHE	PET	PORSCHE
914	76	6	04	604-05		203					

Pos	Part Number	Name	Remarks	Qty	Model	Pos	Part Number	Name	Remarks	Qty	Model
11	914 355 603 00	brake line	-71 /V/L/V/R	2	914-4	22/1	914 355 065 01	brake pressure regulator		1	914-1,8V/1,8 914-2,0
(12)	914 355 603 02	brake line F >>47229 19032	/V/L	1	914-4	23	900 025 007 02	washer 8,4 F >>47429 15751		2	914-6/4/1,7 914-2,0
(12)	914 355 603 02	brake line F 47229 19033>>	/V/L	1	914-4/1,7 914-1,8/1,8V 914-2,0	24	900 027 015 02	lock ring A 8		2	
12	914 355 604 02	brake line F >>47229 19032	/V/R	1	914-4	25	900 075 078 02	hexagon-head bolt M 8 X 15 F >>47429 15751		2	914-6/4/1,7 914-2,0
12	914 355 604 02	brake line F 47229 19033>>	/V/R	1	914-4/1,7 914-1,8/1,8V 914-2,0	26	900 076 025 02	hexagon nut M 8 F 47429 15752>>	/2,0	2	914-1,8V/1,8
13	914 355 691 00	hose piece		10		27	914 355 669 00	ring piece		1	914-6/4/1,7 914-2,0
14	914 355 611 00	brake line centre		1		28	914 355 668 00	banjo bolt F >>47429 15751		1	914-6/4/1,7 914-2,0
15	901 355 615 00	angled pipe		2	914-6/4/1,7	29	914 355 635 01	connecting line F >>47429 15751	/H/L	1	914-6/4/1,7 914-2,0
15	901 355 615 00	angled pipe		1	914-1,8V/1,8 914-2,0	29	914 355 635 01	connecting line F >>47429 15751	/H/L	1	914-6/4/1,7 914-2,0
16	914 355 613 00	brake line centre tunnel		1		29/1	914 355 635 02	connecting line F 47429 15752>>	/H/L	1	914-1,8V/1,8 914-2,0
17	914 355 661 00	intermediate piece		1		30	914 355 636 01	connecting line F >>47429 15751	/H/R	1	914-6/4/1,7 914-2,0
18	914 355 614 01	brake line tunnel F >>47429 15751		1	914-6/4/1,7 914-2,0	30	914 355 636 01	connecting line F >>47429 15751	/H/R	1	914-6/4/1,7 914-2,0
19	914 355 612 00	brake line centre F >>47429 15751	/H	1	914-6/4/1,7 914-2,0	30/1	914 355 636 03	connecting line F 47429 15752>>	/H/R	1	914-1,8V/1,8 914-2,0
19/1	914 355 614 01	brake line centre F 47429 15752>>	/H	1	914-1,8V/1,8 914-2,0	31	999 507 235 40	pipe clip F 47429 15752>>		2	914-1,8V/1,8 914-2,0
20	914 355 651 00	rubber sleeve		2		32	901 355 631 01	brake hose	-71	2	914-6/4
21	914 355 652 00	clamp		2		32/1	211 611 775 A	brake hose	72-	2	
22	914 355 067 00	brake pressure regulator		1	914-6	33	914 355 621 01	brake line	/H/L	1	
22	914 355 065 00	brake pressure regulator F >>47429 15751		1	914-4/1,7 914-2,0	(33)	914 355 622 01	brake line	/H/R	1	
- - - E N D - - -											

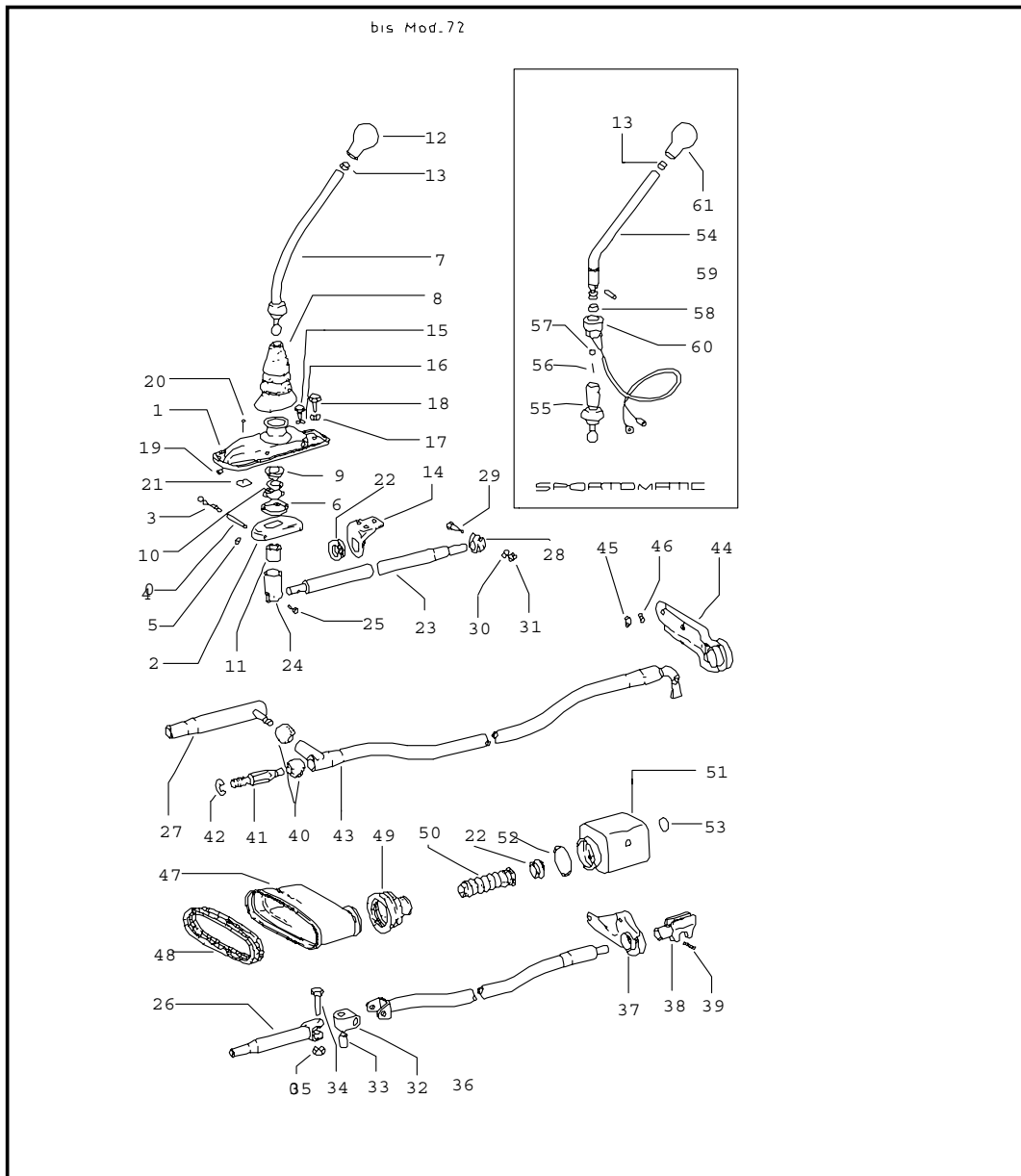
Model	Year	MG	SG	Illustration	Restrictions	Update	11:20	23.08.2006
914	76	6	98	698-00		203		

Pos	Part Number	Name	Remarks	Qty	Model
		repair kits			
>>	> 901 351 963 25	set of brake pads without mounting parts	/V	1	914-6
>>	> 901 351 964 11	set of seals 1 set comprising: gasket protection caps ring	/V	2	914-6
-	901 351 955 10	safety seal		1	
-	901 351 955 10	safety seal		1	
>>	> 914 351 903 00	set of brake pads F >>47229 19032 without mounting parts	/V -72	1	914-4
>>	> 411 698 471	gasket set F >>47229 19032 1 set comprising: gasket protection caps ring torsion protection for piston torsion protection for piston	/V -72	2	914-4
-	N 010 127 4	hexagon-head bolt		2	
-	411 615 291	tab washer		1	
>>	> 914 351 905 00	set of brake pads F 47229 19033>> without mounting parts	/V 72-	1	914-4/1,7 914-1,8/1,8V 914-2,0
>>	> 411 698 471 A	gasket set F 47229 19033>> 1 set comprising: gasket protection caps torsion protection for piston torsion protection for piston	/V 72-	2	914-4/1,7 914-1,8/2,0
-	N 010 127 4	hexagon-head bolt		2	

Model	Year	MG	SG	Illustration	Restrictions	Update	11:20	23.08.2006
914	76	6	98	698-00		203		

Pos	Part Number	Name	Remarks	Qty	Model
-	411 615 291	tab washer without mounting parts		1 2	
>>	> 914 352 923 00	set of brake pads without mounting parts	/H	1	914-4/1,7 914-1,8/1,8V 914-2,0
>>	> 901 355 930 00	repair kit for brake master cylinder with and without warning contact \$ 19,05		1	914-6
>>	> 914 355 908 00	repair kit for brake master cylinder \$ 17,46		1	914-4/1,7 914-1,8/1,8V 914-2,0
-	901 355 924 00	protection cap		1	
- - - E N D - - -					

Model	Year	MG	SG	Illustration	Restrictions	Update	11:20	23.08.2006	PORSCHE	PET	PORSCHE
914	76	7	01	701-00		203					

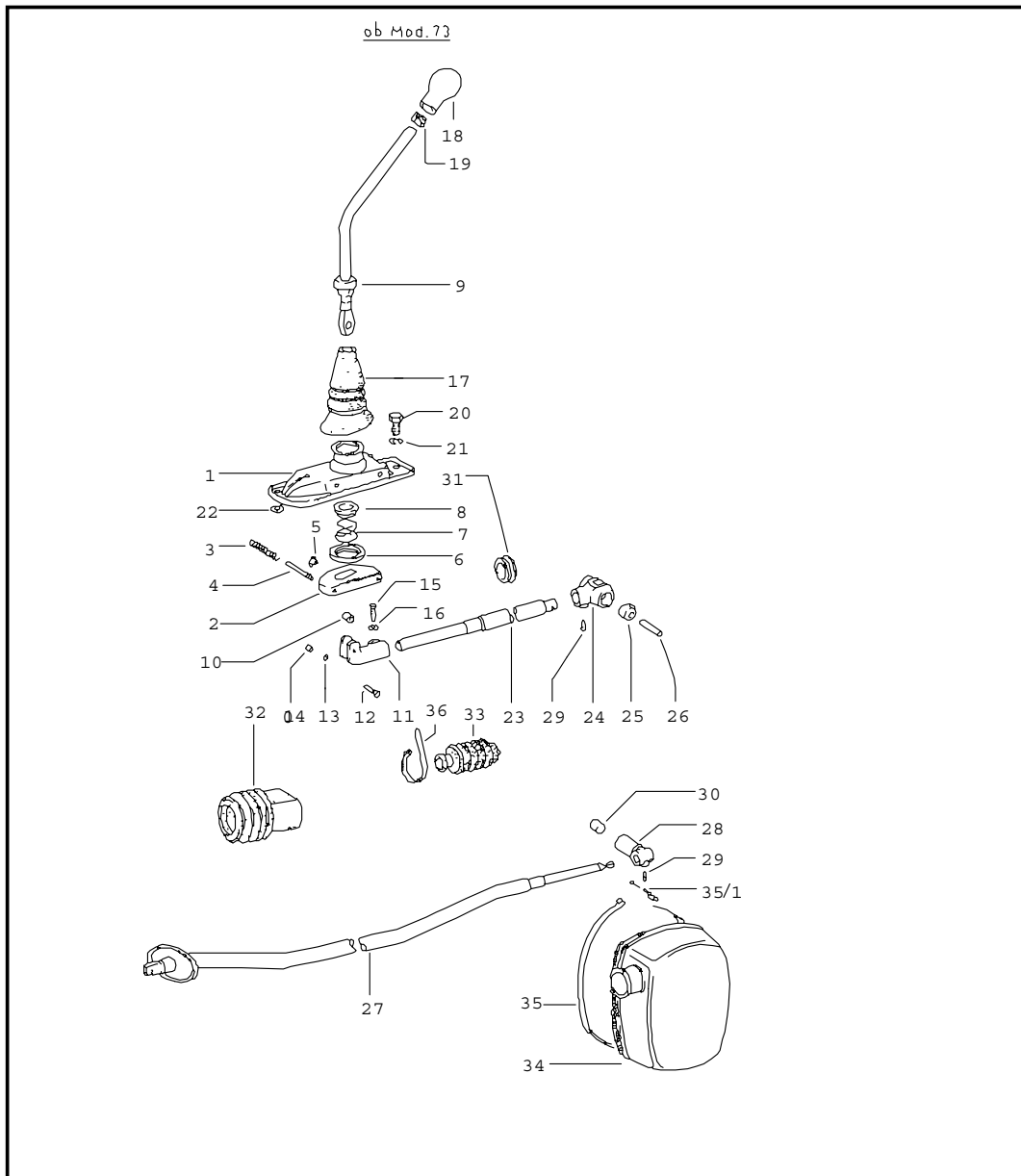


Pos	Part Number	Name	Remarks	Qty	Model
		transmission control	-72		
1	901 424 015 02	gearshift bracket		1	914-6/4
2	901 424 017 00	stop plate		1	914-6/4
3	901 424 133 00	compression spring		2	914-6/4
4	901 424 115 00	guiding rod		2	914-6/4
5	N 012 435 1	washer		4	914-6/4
6	901 424 135 00	guide ring		1	914-6/4
7	914 424 016 00	gearshift lever		1	914-6/4
8	914 424 901 00	sealing sleeve		1	914-6/4
9	901 424 132 00	guide		1	914-6/4
10	914 424 131 00	compression spring		1	914-6/4
11	911 424 139 00	ball socket		1	914-6/4
12	901 424 014 00	gearshift knob		1	914-6/4
13	999 532 001 00	spacer		1	914-6/4
14	930 424 031 00	bearing bracket		1	914-6/4
15	N 010 210 13	hexagon-head bolt M 6 X 10		2	914-6/4
16	900 028 008 01	spring washer B 6		2	914-6/4
17	900 027 015 02	lock ring B 8		3	914-6/4
18	900 075 078 02	hexagon-head bolt M 8 X 15		3	914-6/4
19	900 025 007 02	washer 8,4		1	914-6:SPM
19	900 031 001 02	washer 8,4		1	914-6
20	N 013 957 5	tapping screw B 3,5 X 9,5		1	914-6
21	914 424 235 00	speed nut B 3,5		1	914-6
22	914 424 224 00	friction ring		3	914-6/4
23	914 424 021 00	gear shift rod	/V	1	914-6/4

Model	Year	MG	SG	Illustration	Restrictions	Update	11:20	23.08.2006	PORSCHE	PET	PORSCHE
914	76	7	01	701-00		203					

Pos	Part Number	Name	Remarks	Qty	Model	Pos	Part Number	Name	Remarks	Qty	Model
24	930 424 241 00	head shift rod		1	914-6/4	48	914 424 502 00	rubber strap		1	914-6/4
25	901 424 229 00	conical screw		1	914-6/4	49	914 424 297 00	sealing sleeve		1	914-6/4
26	914 424 027 00	connecting tube		1	914-6	50	901 741 291 00	sealing sleeve		1	914-6/4
27	914 424 033 00	connecting tube		1	914-4	51	914 424 206 00	protection cap		1	914-6
28	914 424 214 00	clamp		1	914-6/4	(51)	914 424 229 00	protection cap		1	914-4
29	N 040 222 2	hexagon-head bolt M 8 X 32		1	914-6/4	52	999 512 348 02	hose clamp 44 - 64 X 9		1	914-6/4
30	999 523 102 02	lock washer M 8		1	914-6/4	53	914 424 208 00	rubber ring		1	914-6/4
31	900 076 025 02	hexagon nut M 8		1	914-6/4	54	905 424 026 00	gearshift lever		1	914-6:SPM
32	914 424 212 00	intermediate piece		1	914-6	55	905 424 024 02	gearshift lever		1	914-6:SPM
33	914 424 223 00	bush		2	914-6	56	905 424 111 02	compression spring		1	914-6:SPM
34	900 074 151 02	hexagon-head bolt M 6 X 38		2	914-6	57	900 108 012 00	ball 10 MM		1	914-6:SPM
35	999 084 028 02	hexagon nut M 6 UNI-STOP		2	914-6	58	905 424 234 02	stop ring		1	914-6:SPM
36	914 424 022 00	gear shift rod	/H	1	914-6	59	905 424 107 02	straight pin		1	914-6:SPM
(36)	914 424 022 10	gear shift rod	/H	1	914-6:SPM	60	905 613 039 00	contacts		1	914-6:SPM
37	914 424 012 00	support		1	914-6	61	911 424 077 01	gearshift knob		1	914-6:SPM
38	914 424 241 00	head shift rod	/H	1	914-6			- - - E N D - - -			
39	999 095 021 00	clamping pin		1	914-6						
40	914 424 512 00	ball		2	914-4						
41	914 424 511 00	bolt		1	914-4						
42	999 523 109 02	lock washer M 12		1	914-4						
43	914 424 032 03	gear shift rod	/H	1	914-4						
44	914 424 014 00	support		1	914-4						
45	900 076 025 02	hexagon nut M 8		2	914-4						
46	900 027 015 02	lock ring B 8		2	914-4						
47	PCG 424 501 00	cover		1	914-6/4						

Model	Year	MG	SG	Illustration	Restrictions	Update	11:20	23.08.2006	PORSCHE	PET	PORSCHE
914	76	7	01	701-05		203					

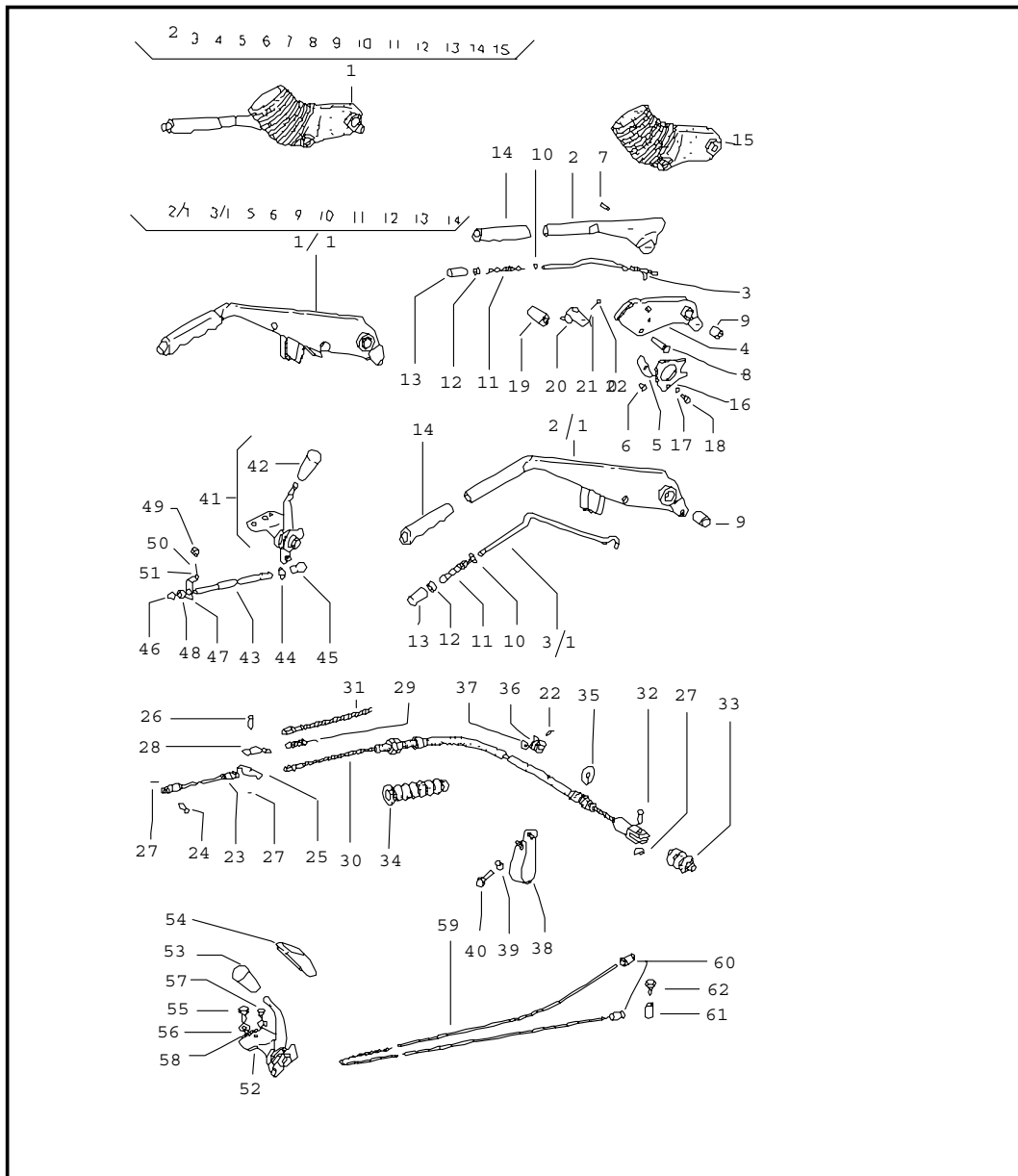


Pos	Part Number	Name	Remarks	Qty	Model
		transmission control	73-		
1	914 424 019 02	gearshift bracket		1	
2	901 424 017 00	stop plate		1	
3	911 424 133 04	compression spring		2	
4	901 424 115 00	guiding rod		2	
5	N 012 435 1	washer 5		5	
6	914 424 343 02	guide 1,2 MM		X	
6	914 424 343 02	guide 2,3 MM		X	
6	914 424 343 02	guide piece 3,4 MM		X	
7	914 424 131 00	compression spring		1	
8	901 424 132 00	guide		1	
9	914 424 016 02	gearshift lever		1	
10	914 424 169 01	spacer sleeve		1	
11	914 424 171 01	lever		1	
12	N 010 335 5	hexagon-head bolt M 8 X 35		1	
13	900 027 015 02	lock ring B 8		1	
14	900 076 025 02	hexagon nut M 8		1	
15	900 075 079 02	hexagon-head bolt M 8 X 22		1	
16	999 523 102 02	lock washer		1	
17	914 424 901 00	sealing sleeve		1	
(17)	914 559 444 10	boot leather	M	1	
18	901 424 014 00	gearshift knob		1	
19	999 532 001 00	spacer		1	
20	900 075 078 02	hexagon-head bolt M 8 X 15		3	

Model	Year	MG	SG	Illustration	Restrictions	Update	11:20	23.08.2006	PORSCHE	PET	PORSCHE
914	76	7	01	701-05		203					

Pos	Part Number	Name	Remarks	Qty	Model	Pos	Part Number	Name	Remarks	Qty	Model
21	900 027 015 02	lock ring B 8		3							
22	900 025 007 02	washer 8,4		2							
23	914 424 065 00	gear shift rod	/V	1							
24	911 424 221 00	shift rod coupling		1							
25	911 424 223 03	bush		2							
26	900 092 002 01	dowel pin 12 X 45		1							
27	914 424 063 00	gear shift rod	/H	1							
28	914 424 241 02	head shift rod		1							
29	901 424 229 00	conical screw		2							
30	911 424 139 00	ball socket		1							
31	914 424 224 03	friction ring		1							
32	914 424 169 02	sealing sleeve		1							
33	914 424 239 02	sealing sleeve		1							
34	PCG 424 501 01	cover		1							
35	914 424 503 01	hose clamp		1							
35/1	N 014 059 1	lock		1							
36	999 513 002 40	tie-wrap		2							
		- - - E N D - - -									

Model	Year	MG	SG	Illustration	Restrictions	Update	11:21	23.08.2006	PORSCHE	PET	PORSCHE
914	76	7	01	701-10		203					



Pos	Part Number	Name	Remarks	Qty	Model
1	914 424 053 00	handbrake manual throttle heating actuator			
1	914 424 053 00	parking-brake lever complete	-72	1	914-6/4
1/1	914 424 053 01	parking-brake lever complete	73-	1	914-1,7/1,8V 914-1,8/2,0
2	914 424 056 00	parking-brake lever	-72	1	914-6/4
2/1	914 424 056 02	parking-brake lever	73-	1	914-1,7/1,8V 914-1,8/2,0
3	914 424 055 00	push rod	-72	1	914-6/4
3/1	914 424 255 02	push rod	73-	1	914-1,7/1,8V 914-1,8/2,0
4	914 424 054 00	lever	-72	1	914-6/4
5	901 424 508 00	pawl		1	
6	901 424 511 00	bolt for pawl		1	
7	900 224 013 00	clinch pin A 4H 11 X 16	-72	1	914-6/4
8	900 121 026 00	tubular rivet B 8 X 1 X 20	-72	1	914-6/4
9	914 424 247 00	bush		1	
10	900 089 001 02	washer		1	
11	901 424 543 00	compression spring		1	
12	901 424 593 01	rubber ring		1	
13	901 424 523 01	push button		1	
14	901 424 521 01	handle		1	
15	914 424 057 00	sealing sleeve	-72	1	914-6/4
16	914 424 541 00	locking segment		1	
17	900 027 015 02	lock ring B 8		1	
18	900 075 085 02	hexagon-head bolt M 8 X 20		1	

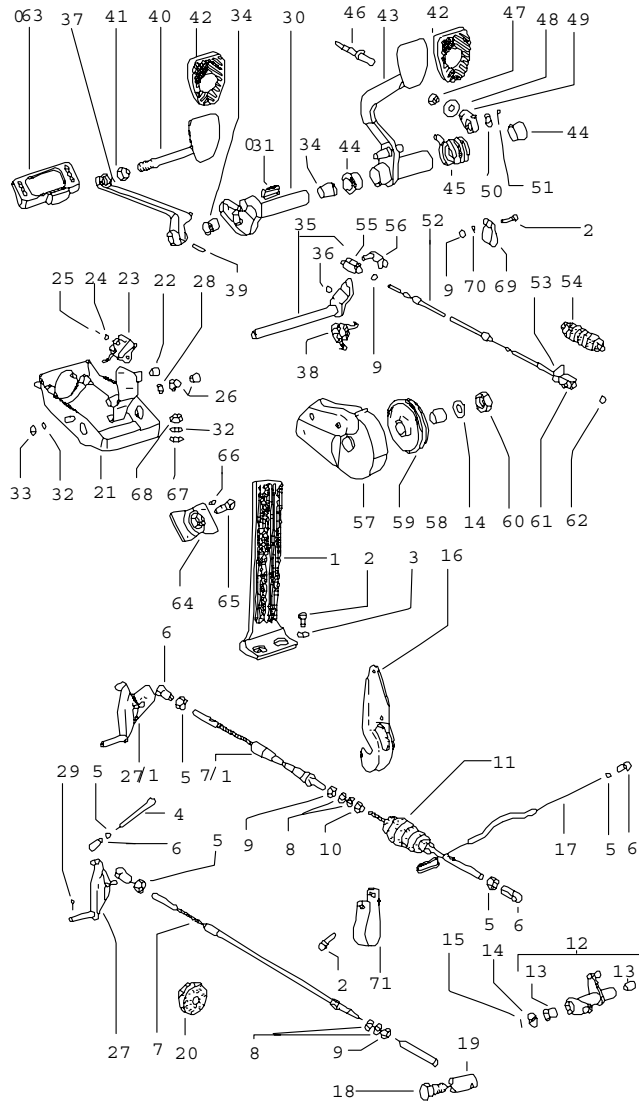
Model	Year	MG	SG	Illustration	Restrictions	Update	11:21	23.08.2006	PORSCHE	PET	PORSCHE
914	76	7	01	701-10		203					

Pos	Part Number	Name	Remarks	Qty	Model	Pos	Part Number	Name	Remarks	Qty	Model
19	914 424 543 00	hose for stop handbrake	-72	1	914-6/4	43	914 424 035 00	push rod		1	914-6
20	113 947 561 D	contact switch		1		44	900 076 027 02	hexagon nut M 5		1	914-6
21	914 424 542 00	washer	-72	X	914-6/4	45	N 015 521 3	ball socket A 8		1	914-6
22	N 013 958 7	tapping screw B 3,5 X 13		3		46	914 424 225 00	sleeve		1	914-6
23	914 424 256 00	cable		1		47	914 424 024 00	support		1	914-6
24	914 424 571 01	bolt		1		48	914 424 219 00	friction ring		1	914-6
25	914 424 568 00	compensating piece		1		49	900 075 010 02	hexagon-head bolt M 6 X 12		1	914-6
26	914 424 571 00	bolt		1		50	N 011 524 7	washer 6,4		1	914-6
27	N 012 645 2	lock		4		51	900 027 014 01	lock ring B 6		1	914-6
28	914 424 567 00	plate		1		(52)	914 424 073 00	actuator heating with picture 53		1	914-6
29	914 424 545 00	return spring		1		(52)	914 424 073 01	actuator heating	-72	1	914-4
30	914 424 551 01	parking-brake cable	/L	1		52	914 424 073 02	actuator heating		1	914-4/1,7 914-1,8/1,8V 914-2,0
31	914 424 552 01	parking-brake cable	/R	1		(52)	914 424 073 02	actuator heating for centre console	73- M	1	914-1,7/1,8V 914-1,8/2,0
32	999 166 055 02	bolt A 6 X 15 X 12		2		53	914 424 792 01	handle		1	
33	914 424 591 00	sealing sleeve	/H	2		55	900 075 078 02	hexagon-head bolt M 8 X 15		1	
34	914 424 592 00	sealing sleeve	/V	2		56	900 027 015 02	lock ring B 8		1	
35	999 166 017 02	kl-lock		2		57	900 075 010 02	hexagon-head bolt M 6 X 12		1	
36	999 511 072 02	clip with tread		2		58	900 027 014 01	lock ring B 6		1	
37	999 591 349 02	speed nut B 3,5		2							
38	999 706 005 80	suspension strap		1	914-6						
39	900 028 008 01	spring washer B 6		1	914-6						
40	900 187 023 02	hexagon-head tapping screw B 5,5 X 16		1	914-6						
41	914 424 071 00	manual throttle actuator		1	914-6						
42	914 424 792 01	handle		1	914-6						

Model	Year	MG	SG	Illustration	Restrictions	Update	11:21	23.08.2006	PORSCHE	PET	PORSCHE
914	76	7	01	701-10		203					

Pos	Part Number	Name	Remarks	Qty	Model	Pos	Part Number	Name	Remarks	Qty	Model
59	914 424 075 00	wire pull for flap heating		1	914-6						
59	PCG 424 075 01	wire pull for flap heating	-74	1	914-4/1,7 914-1,8/1,8V 914-2,0						
59	914 424 075 02	wire pull for flap heating	75-	1	914-1,8V/2,0						
60	113 711 691	grommet		2							
61	311 129 777	pin		2							
62	N 010 205 6	hexagon-head bolt M 5 X 10		2							
		- - - E N D - - -									

Model	Year	MG	SG	Illustration	Restrictions	Update	11:21	23.08.2006	PORSCHE	PET	PORSCHE
914	76	7	02	702-00		203					



Pos	Part Number	Name	Remarks	Qty	Model
		pedals for cars with manual transmission			
1	901 423 010 00	accelerator pedal		1	
2	900 075 057 02	hexagon-head bolt M 6 X 16		2	
2	900 075 057 02	hexagon-head bolt M 6 X 16		3	914-6/2,0
3	900 151 006 09	washer B 6,4		2	
4	914 423 227 00	push rod		1	
5	900 076 027 02	hexagon nut M 5		2	
5	900 076 027 02	hexagon nut M 5		4	914-6
6	N 015 521 3	ball socket		2	
6	N 015 521 3	ball socket		4	914-6
(7)	914 423 067 00	accelerator cable		1	914-4/1,7 914-2,0
7	914 423 067 02	accelerator cable		1	914-4/1,7 914-1,8/2,0
7	914 423 067 03	accelerator cable		1	914-1,8V
7/1	914 423 066 00	accelerator cable		1	914-6
8	N 011 524 7	washer 6,4		2	
9	900 076 010 02	hexagon nut M 6		3	
10	914 423 287 00	hexagon nut		1	914-6
11	914 423 593 00	sealing sleeve		1	914-6
12	914 423 025 01	reverse lever		1	914-6
13	914 423 211 00	bush		2	914-6
14	900 025 008 02	washer 10,5		1	
14	900 025 008 02	washer 10,5		2	914-6

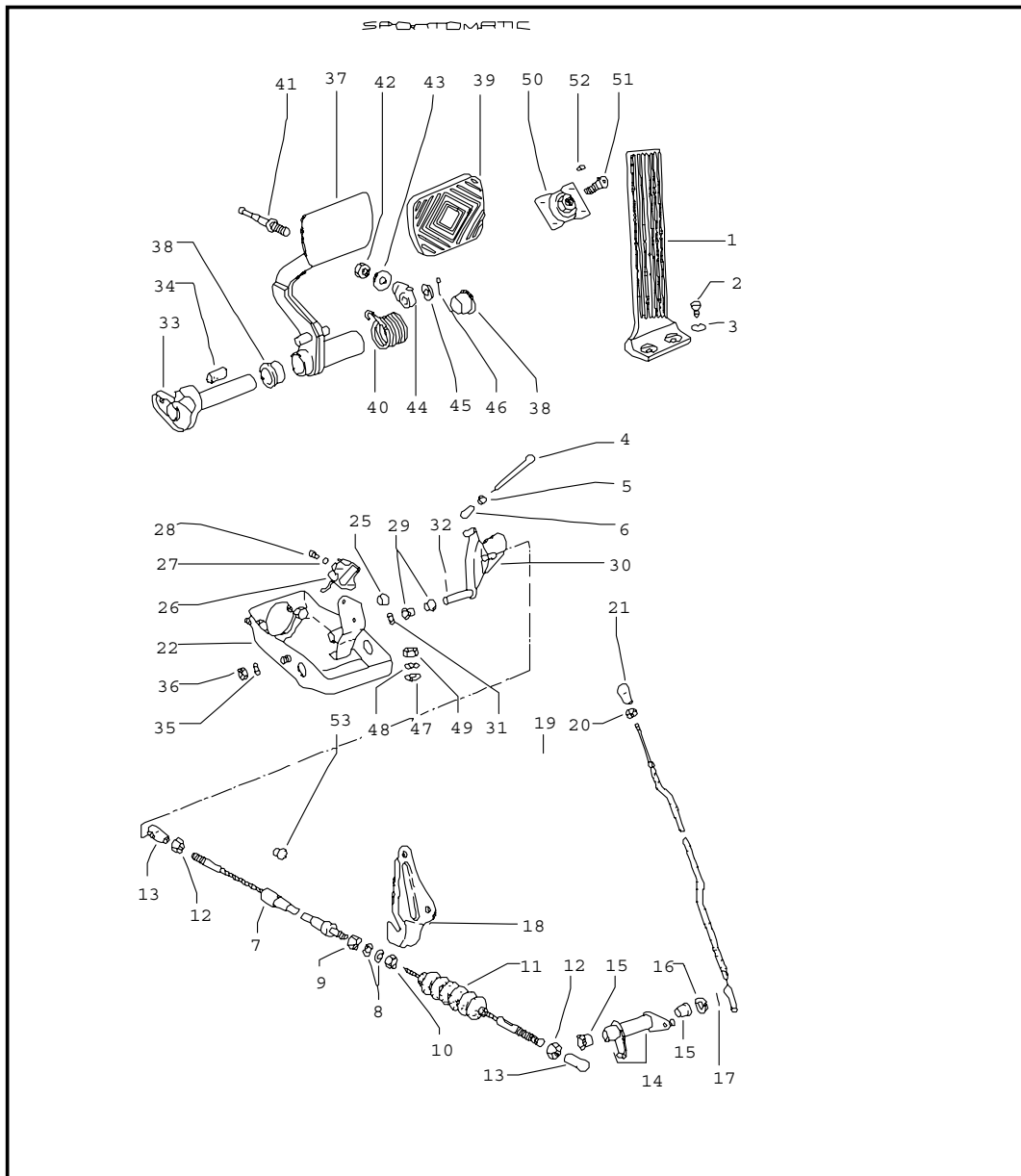
Model	Year	MG	SG	Illustration	Restrictions	Update	11:21	23.08.2006	PORSCHE	PET	PORSCHE
914	76	7	02	702-00		203					

Pos	Part Number	Name	Remarks	Qty	Model	Pos	Part Number	Name	Remarks	Qty	Model
15	N 012 530 1	cotter pin 3 X 15		1	914-6	36	901 423 343 00	bush		1	
16	914 423 285 01	support f.accelerator cable		1	914-6	37	901 423 312 00	clutch pedal lower part		1	
17	901 423 026 03	throttle linkage		1	914-6	38	901 423 317 00	spring		1	
18	N 010 205 6	hexagon-head bolt M 5 X 10		1	914-4/1,7 914-1,8/2,0	39	900 309 002 00	roll pin S 6 X 28		1	
19	111 129 921	pin		1	914-4/1,7 914-1,8/2,0	40	914 423 034 00	clutch pedal upper part		1	
20	111 971 911 A	rubber sleeve		1	914-4/1,7 914-1,8/1,8V 914-2,0	41	900 183 002 02	hexagon nut M 14 X 1,5		1	
21	911 423 065 02	bearing bracket		1		42	914 423 210 00	rubber pad		2	
22	901 423 193 00	rubber stop		1		43	901 423 053 02	brake pedal		1	
23	911 613 411 00	stop light switch		1		44	911 423 542 00	bush		2	
24	900 114 014 01	shake-proof washer A 4,3		2		45	901 423 531 00	return spring		1	
25	900 146 011 02	oval-head screw AM 4 X 10		2		46	901 423 057 04	piston rod		1	
26	901 423 253 00	bearing sleeve		2		47	900 158 003 02	hexagon nut M 10		1	
27	901 423 250 02	reverse lever front		1		48	901 423 157 00	washer		1	
27/1	914 423 260 00	reverse lever front		1	914-6	49	901 423 507 02	intermediate piece		1	
28	900 031 001 02	washer 8,4		1		50	N 011 564 2	washer		1	
29	900 021 008 00	cotter pin 2 X 15		1		51	900 021 015 00	cotter pin 3 X 20		1	
30	901 423 035 00	bearing tube		1		(52)	914 423 401 05	clutch cable		1	
31	901 423 391 00	rubber stop		1		52	914 423 401 02	clutch cable		1	914-6
32	900 027 015 02	lock ring B 8		3		53	914 423 283 00	tab washer		1	
33	N 011 151 3	hexagon nut M 8		1		54	914 423 922 02	sealing sleeve		1	
34	911 423 341 01	bush		2		55	900 166 002 02	clevis G 6 X 24		1	
35	901 423 320 01	clutch pedal shaft		2		56	999 166 001 02	bolt		1	
						57	914 423 030 02	bearing bracket		1	
						58	914 423 273 00	spacer sleeve		1	
						59	914 423 255 02	deflection roller		1	

Model	Year	MG	SG	Illustration	Restrictions	Update	11:21	23.08.2006	PORSCHE	PET	PORSCHE
914	76	7	02	702-00		203					

Pos	Part Number	Name	Remarks	Qty	Model	Pos	Part Number	Name	Remarks	Qty	Model
60	999 084 027 02	hexagon nut UNI-STOP U 18.10		1							
61	911 423 205 03	lever		1							
62	N 021 193 1	hexagon nut M 7		1							
63	914 551 067 00	stop for clutch pedal		1							
64	901 551 065 20	stop for accelerator pedal		1							
65	901 551 671 20	hexagon-head bolt		1							
66	900 121 017 20	tubular rivet B 5 X 0,75 X 10		4							
67	900 025 007 02	washer 8,4		2							
68	900 076 025 02	hexagon nut M 8		2							
69	999 511 076 02	clamp		1	914-6						
70	900 028 008 01	spring washer B 6		1	914-6						
71	999 706 005 80	suspension strap		1	914-2,0						
-	N 020 902 1	tie-wrap		2	914-6						
-	999 513 002 40	tie-wrap 186 MM		1	914-6						
-	999 513 008 40	tie-wrap 100 MM		2							
		- - - E N D - - -									

Model	Year	MG	SG	Illustration	Restrictions	Update	11:21	23.08.2006	PORSCHE	PET	PORSCHE
914	76	7	02	702-05		203					



Pos	Part Number	Name	Remarks	Qty	Model
		pedals			914-6:SPM
1	901 423 010 00	accelerator pedal		1	
2	900 075 057 02	hexagon-head bolt M 6 X 16		2	
3	900 151 006 09	washer B 6,4		2	
4	914 423 227 00	push rod		1	
5	900 076 027 02	hexagon nut M 5		1	
6	N 015 521 3	ball socket A 8		1	
7	914 423 066 00	accelerator cable		1	
8	N 011 524 7	washer B 6,4		2	
9	900 076 010 02	hexagon nut M 6		1	
10	914 423 287 00	hexagon nut		1	
11	914 423 593 00	sealing sleeve		1	
12	900 076 027 02	hexagon nut M 5		2	
13	N 015 521 3	ball socket A 8		2	
14	914 423 025 01	reverse lever		1	
15	914 423 211 00	bush		2	
16	900 025 008 02	washer 10,5		1	
17	N 012 530 1	cotter pin 3 X 15		1	
18	914 423 288 00	support f.accelerator cable		1	
19	905 423 026 02	throttle linkage		1	
20	900 076 027 02	hexagon nut M 5		1	
21	N 015 521 3	ball socket A 8		1	
22	911 423 065 02	bearing bracket		1	

Model	Year	MG	SG	Illustration	Restrictions	Update	11:21	23.08.2006	PORSCHE	PET	PORSCHE
914	76	7	02	702-05		203					

Pos	Part Number	Name	Remarks	Qty	Model	Pos	Part Number	Name	Remarks	Qty	Model
25	901 423 193 00	rubber stop		1		48	900 027 015 02	lock ring B 8		2	
26	911 613 411 00	stop light switch		1		49	900 076 025 02	hexagon nut M 8		2	
27	900 114 014 01	shake-proof washer A 4,3		2		50	901 551 065 20	stop for accelerator pedal		1	
28	900 146 011 02	oval-head screw AM 4 X 10		2		51	901 551 671 20	hexagon-head bolt		1	
29	901 423 253 00	bearing sleeve		2		52	900 121 017 20	tubular rivet B 5 X 0,75 X 10 CU		1	
30	914 423 260 00	reverse lever front		1		53	999 703 058 40	cap plug		1	
31	900 031 001 02	washer 8,4		1				- - - E N D - - -			
32	900 021 008 00	cotter pin 2 X 15		1							
33	905 423 035 00	bearing tube		1							
34	905 423 391 00	protective strip		1							
35	900 027 015 02	lock ring B 8		01							
36	N 011 151 3	hexagon nut M 8		1							
37	905 423 053 00	brake pedal		1							
38	911 423 542 00	bush		2							
39	905 423 511 00	rubber pad		1							
40	905 423 531 00	return spring		1							
41	901 423 057 04	piston rod		1							
42	900 158 003 02	hexagon nut M 10		1							
43	901 423 157 00	washer		1							
44	901 423 507 02	intermediate piece		1							
45	N 011 564 2	washer 13		1							
46	900 021 015 00	cotter pin 3 X 20		1							
47	900 025 007 02	washer 8,4		2							

PORSCHE

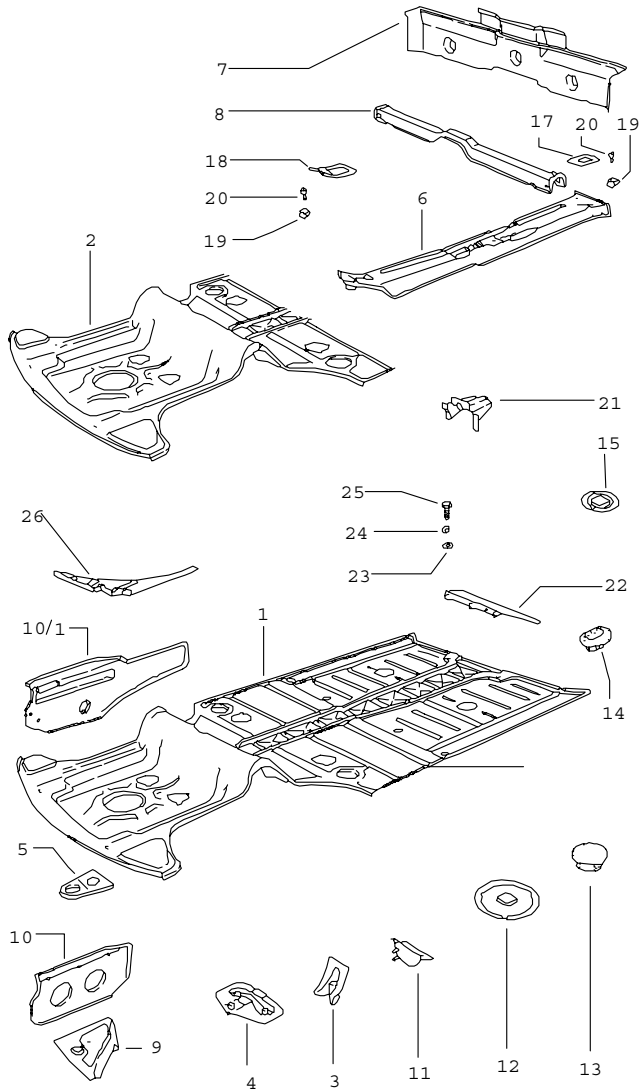
PET

PORSCHE

Model	Year	MG	SG	Illustration	Restrictions	Update		
914	76	8	01	801-00		203	11:21	23.08.2006

Pos	Part Number	Name	Remarks	Qty	Model
-	914 501 003 11	body in white		1	914-6
-	914 501 004 12	body in white not for (USA), (J)	75-	1	
-	914 501 779 13	body in white	75-	1	914-1,8V/2,0 (USA), (J)
		- - - E N D - - -			

Model	Year	MG	SG	Illustration	Restrictions	Update	11:21	23.08.2006	PORSCHE	PET	PORSCHE
914	76	8	01	801-05		203					



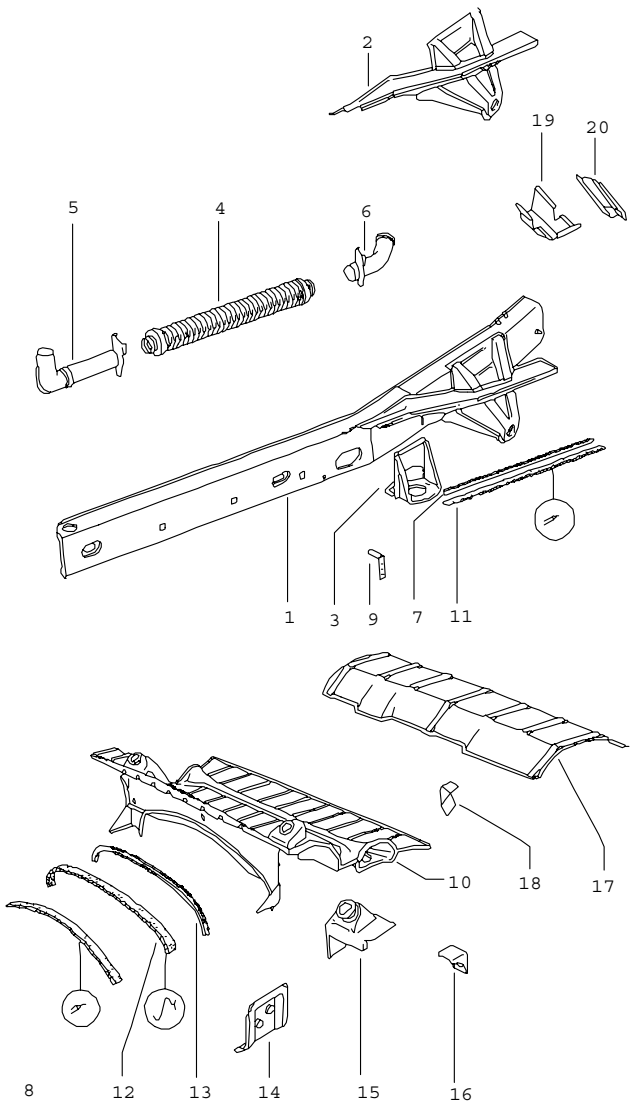
Pos	Part Number	Name	Remarks	Qty	Model
		frame front			
1	914 501 937 11	floorpan		1	
2	914 501 938 11	floorpan front part		1	
3	914 501 059 00	mount for cross tube front axle		2	
4	914 501 057 00	reinforcement for axle mounting	/V	2	
5	914 501 531 10	towing lug	/V	1	
6	914 501 062 13	tunnel		1	
7	914 501 643 10	strut		1	
8	914 501 109 10	cross member seat		1	
9	914 507 041 10	corner plate	/L	1	
(9)	914 507 042 10	corner plate	/R	1	
(10)	914 501 115 10	separator for wheel housing cross panel front	/L	1	
10	914 501 116 10	separator for wheel housing cross panel front	/R	1	
11	914 501 164 10	mounting for axle mounting	/H/L	1	
(11)	914 501 164 10	reinforcement for axle mounting	/H/R	1	
12	914 559 247 10	cover		1	
13	914 559 243 10	plug for oil hose and drain tube	-73	1	914-4/1,7 914-2,0

Model	Year	MG	SG	Illustration	Restrictions	Update	11:21	23.08.2006	PORSCHE	PET	PORSCHE
914	76	8	01	801-05		203					

Pos	Part Number	Name	Remarks	Qty	Model	Pos	Part Number	Name	Remarks	Qty	Model
13	914 559 243 10	plug for oil hose and drain tube	-73	2	914-6						
14	914 559 245 10	plug for fuel line		1	914-6						
15	914 559 241 10	cover		8							
17	914 504 912 10	cover for tunnel	/H	1							
18	914 504 025 10	cover for tunnel	/V	1							
19	999 507 009 02	speed nut		2							
20	900 138 003 01	pan-head tapping screw B 3,5 X 9,5		2							
21	914 501 408 10	bracket for towing lug	-74	1							
22	914 559 163 10	protection cover		2	914-1,7/1,8V 914-1,8/2,0						
23	900 025 003 02	washer B 5,3		6	914-1,7/1,8V 914-1,8/2,0						
24	N 012 005 3	lock ring B 5		6	914-1,7/1,8V 914-1,8/2,0						
25	N 010 207 6	hexagon-head bolt M 5 X 12		6	914-1,7/1,8V 914-1,8/2,0						
		- - - E N D - - -									

Model	Year	MG	SG	Illustration	Restrictions	Update	11:22	23.08.2006	PORSCHE	PET	PORSCHE
914	76	8	01	801-10		203					

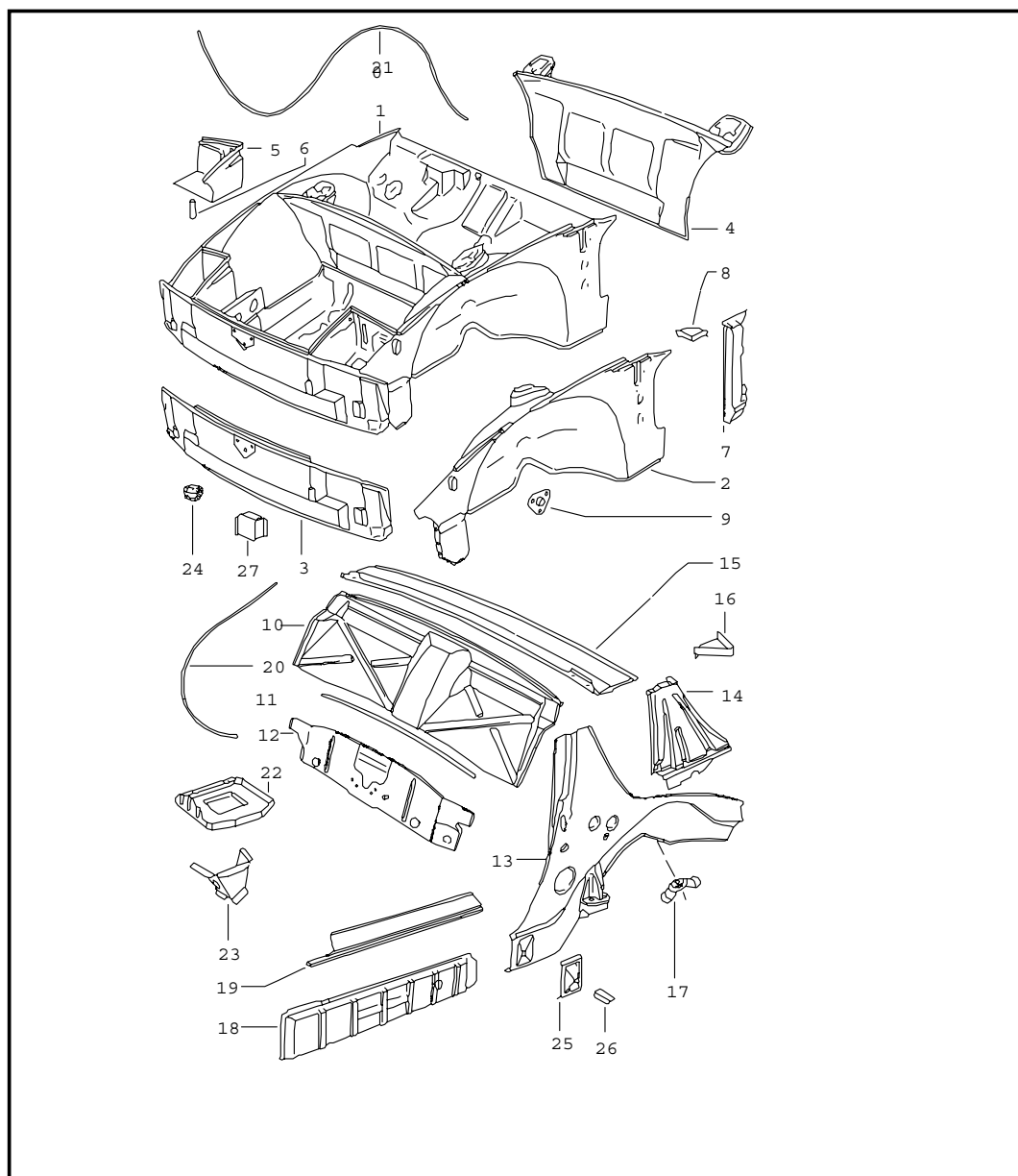
Pos	Part Number	Name	Remarks	Qty	Model
		frame rear			
(1)	914 501 435 10	inner panel for side member with picture 3 FUER TYP 914-6 POS.3 ENTFERNEN	/L	1	
1	914 501 436 12	inner panel for side member with picture 3 FUER TYP 914-6 POS. 3 ENTFERNEN	/R	1	
2	914 501 044 11	bracket for mounting rear axle	/R	1	
(2)	914 501 017 10	bracket for mounting rear axle	/L	1	
(3)	914 501 183 10	engine mounting	/L	1	914-4/1,7 914-1,8/1,8V 914-2,0
3	914 501 184 10	engine mounting	/R	1	914-4/1,7 914-1,8/1,8V 914-2,0
4	911 572 025 02	muffler	-74	2	
(4)	911 572 025 02	muffler	75-	2	914-1,8V/1,8 914-2,0
(5)	914 501 027 10	hot air duct	/V/L	1	
5	914 501 028 10	hot air duct	/V/R	1	
(6)	914 501 031 10	hot air duct	/H/L	1	
6	914 501 032 10	hot air duct	/H/R	1	
7	914 501 825 10	profile strip		2	
8	914 504 117 10	engine compartment seal	/V	1	



Model	Year	MG	SG	Illustration	Restrictions	Update	11:22	23.08.2006	PORSCHE	PET	PORSCHE
914	76	8	01	801-10		203					

Pos	Part Number	Name	Remarks	Qty	Model	Pos	Part Number	Name	Remarks	Qty	Model
9	914 501 525 10	stop for handbrake	/L	1	914-6/4			- - - E N D - - -			
10	914 501 083 10	floorpan	-74	1	914-6/4/1,7 914-1,8V/2,0						
(10)	914 501 083 15	floorpan	75-	1	914-1,8V/2,0						
(10)	914 507 015 10	floorpan	-74	1	914-1,8/2,0 (USA) (J)						
(11)	914 504 157 10	engine compartment seal lateral	/L	1							
11	914 504 158 10	engine compartment seal lateral	/R	1							
12	914 504 155 10	engine compartment seal	/H	1							
13	914 501 827 10	profile strip	/H	1							
14	914 501 075 10	bearing bracket for handbrake		1							
15	914 501 077 10	retainer for shock absorber	/H/L	1							
(15)	914 501 078 10	retainer for shock absorber	/H/R	1							
16	914 501 851 12	motor console for mount bumper	-74	2							
(16)	914 501 851 12	bracket for mount bumper	75-	2	914-1,8V/1,8 914-2,0						
17	914 501 594 11	heat protection plate		1							
18	914 501 596 10	support for heat protection plate		6							
(19)	914 501 141 10	filler plate	/L	1							
19	914 501 142 10	filler plate	/R	1							
(20)	914 501 143 10	reinforcement	/L	1							
20	914 501 144 10	reinforcement	/R	1							

Model	Year	MG	SG	Illustration	Restrictions	Update	11:22	23.08.2006	PORSCHE	PET	PORSCHE
914	76	8	01	801-15		203					

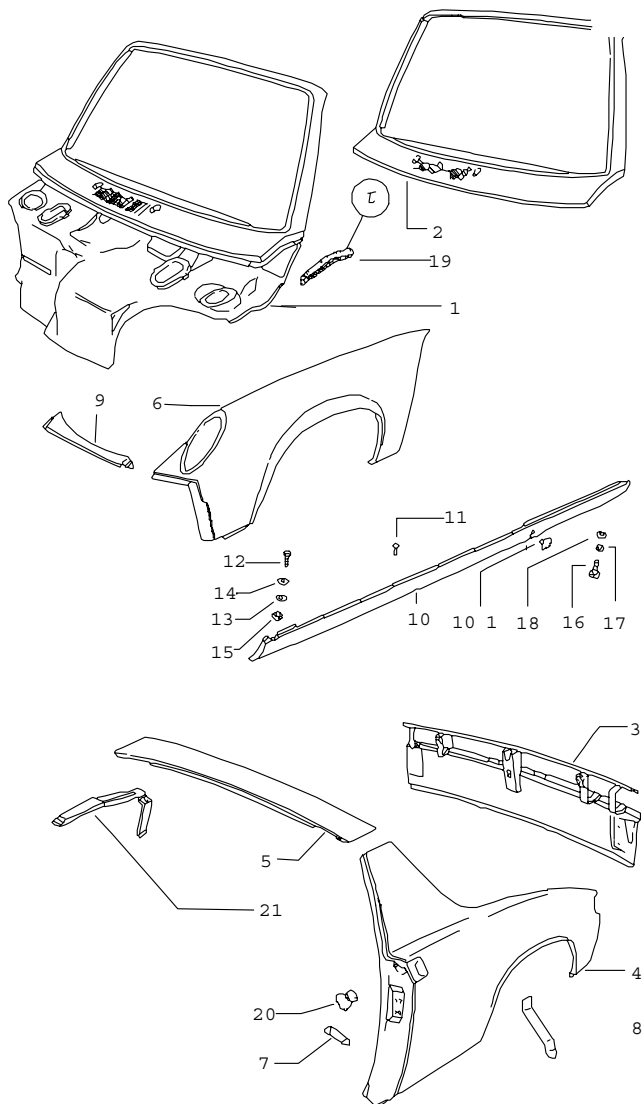


Pos	Part Number	Name	Remarks	Qty	Model
		interior panelling			
1	914 501 901 10	frame front part	/V -71	1	914-6/4
1	914 501 901 11	frame front part	/V 72-74	1	
1	914 501 901 12	frame front part	/V 75-	1	914-1,8V/2,0
2	914 501 033 10	wheel housing	/L/V	1	
(2)	914 501 034 10	wheel housing	/R/V	1	
(3)	914 502 031 12	cross panel	/V -74	1	
(3)	914 502 031 12	cross panel	/V 75-	1	914-1,8V/2,0
4	914 501 051 10	cross panel for shock absorber front	-74	1	
(4)	914 501 051 11	cross panel for shock absorber front	75-	1	914-1,8V/1,8 914-2,0
(5)	914 502 041 11	cover plate for pop-up headlight	/L	1	
(5)	914 502 042 11	cover plate for pop-up headlight	/R	1	
6	914 502 429 10	water drain tube for pop-up headlight		2	
6	914 502 429 11	water drain tube for water drain tube		2	
7	914 501 903 10	hinge pillar	/L	1	
(7)	914 501 904 10	hinge pillar	/R	1	
8	914 502 425 10	stop end piece	/V	2	
9	914 501 162 10	reinforcement for stabiliser mounting		2	914-1,7/1,8V 914-1,8/2,0
10	914 502 011 10	rear wall upper part	-71	1	914-6/4
10	914 502 011 11	rear wall upper part	72-	1	

Model	Year	MG	SG	Illustration	Restrictions	Update	11:22	23.08.2006	PORSCHE	PET	PORSCHE
914	76	8	01	801-15		203					

Pos	Part Number	Name	Remarks	Qty	Model	Pos	Part Number	Name	Remarks	Qty	Model
11	914 501 823 10	clamping piece	/V	1		(16)	914 502 244 10	stop end piece	/R/H	1	
12	914 501 007 10	rear wall		1	914-6	17	914 501 030 10	bracket for hinge pillar		2	
(12)	914 501 119 10	rear wall lower part	-71	1	914-4	18	914 501 013 10	side member outer	/L	1	
(12)	914 501 119 11	rear wall lower part	72-	1	914-4	(18)	914 501 014 10	side member outer	/R	1	
(12)	914 501 119 14	rear wall lower part	-74	1	914-1,7/1,8V 914-1,8/2,0	19	914 501 089 10	scuff plate for side member	/L	1	
(12)	914 501 119 14	rear wall lower part	75-	1	914-1,8V/1,8 914-2,0	(19)	914 501 090 10	scuff plate for side member	/R	1	
13	914 501 941 10	wheel housing panel inner panel	/L/H	1	914-4/1,7 914-1,8/1,8V 914-2,0	20	914 502 237 10	guide tube for lid-release cable engine compartment		1	
13	914 501 941 11	wheel housing panel inner panel F 47329 10937>> for USA with baffle plate	/L/H 73-	1	914-1,7/1,8V 914-2,0	21	914 511 231 10	guide tube for lid-release cable front		1	
(13)	914 501 943 10	wheel housing panel inner panel	/L/H	1	914-6	22	914 501 587 10	carrier plate for battery		1	
(13)	914 501 944 10	wheel housing panel inner panel	/R/H	1		23	914 501 073 10	supporting plate		1	
(13)	914 501 944 11	wheel housing panel inner panel F 47329 10937>> for USA with baffle plate	/R/H 73-	1	914-1,7/1,8V 914-2,0	24	914 559 252 10	plug		9	
						25	914 501 151 10	separator		2	
						26	914 501 153 10	connecting piece		2	
								- - - E N D - - -			
14	914 502 035 10	reinforcement for roll bar	/L	1							
(14)	914 502 036 10	reinforcement for roll bar	/R	1							
15	914 502 033 10	strut inner panel for roll bar		1							
16	914 502 243 10	stop end piece	/L/H	1							

Model	Year	MG	SG	Illustration	Restrictions	Update	11:22	23.08.2006	PORSCHE	PET	PORSCHE
914	76	8	01	801-20		203					

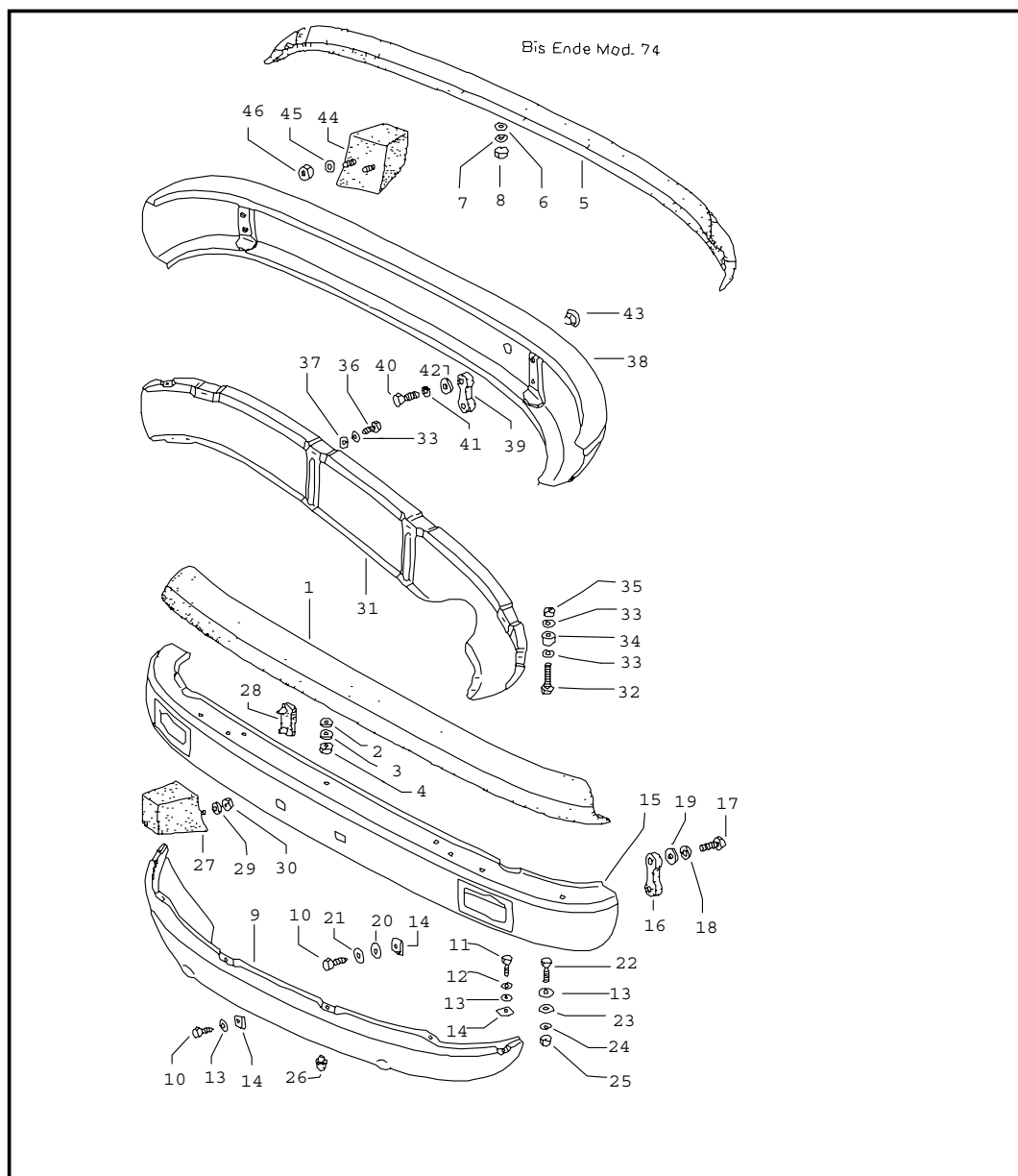


Pos	Part Number	Name	Remarks	Qty	Model
		exterior panelling			
1	914 503 901 10	firewall with windscreen frame	-71	1	914-6/4
1	914 501 195 10	firewall with windscreen frame	72-	1	
2	914 503 057 10	cowl		1	
3	914 503 065 11	cross panel terminal piece	/H -74	1	
3	914 503 065 11	cross panel terminal piece	/H 75-	1	914-1,8V/2,0
4	914 503 903 11	wing side section with lock pillar	/L/H	1	
(4)	914 503 904 11	side section side section with lock pillar	/R/H	1	
-	914 503 907 00	flared wheel arches	/L/H	1	
-	914 503 908 00	flared wheel arches	/R/H	1	
5	914 503 603 10	roll bar exterior panelling upper		1	
6	914 503 031 11	wing not for (I) (DK)	/L/V	1	914-6/4/1,7 914-1,8
(6)	914 503 032 11	wing not for (I) (DK)	/R/V	1	914-6/4/1,7 914-1,8
(6)	914 503 061 11	wing with bore for direction indicator light lateral for (USA) (I) (DK)	/L/V	1	914-6/4/1,7

Model	Year	MG	SG	Illustration	Restrictions	Update	11:22	23.08.2006	PORSCHE	PET	PORSCHE
914	76	8	01	801-20		203					

Pos	Part Number	Name	Remarks	Qty	Model	Pos	Part Number	Name	Remarks	Qty	Model
(6)	914 503 062 11	wing with bore for direction indicator light lateral for (USA) (I) (DK)	/R/V	1	914-6/4/1,7	12	900 187 017 02	tapping screw BZ 4,2 X 19		4	
-	914 503 905 00	flared wheel arches	/L/V	1		13	914 559 127 10	spacer		4	
-	914 503 906 00	flared wheel arches	/R/V	1		14	900 025 002 02	washer A 4,3		4	
7	914 501 371 10	bracket front for wing rear left		1		15	999 507 229 00	speed nut		4	
(7)	914 501 372 10	bracket front for wing rear right		1		16	N 014 139 5	pan-head screw M 6 X12		6	
8	914 501 375 10	bracket rear for wing rear left		1		17	N 011 524 7	washer 6,4		6	
(8)	914 501 376 10	bracket rear for wing rear right		1		18	900 114 002 02	shake-proof washer J 6,4		6	
9	914 503 307 10	cover for pop-up headlight	/L	1		19	914 559 155 10	pipng		2	
(9)	914 503 308 10	cover for pop-up headlight	/R	1		20	914 555 043 10	cover TYP 914-6	72-	2	914-4/1,7 914-1,8/1,8V 914-2,0
-	914 750 197 10	plug		6		21	914 503 044 10	cover for engine compartment	/R	1	
10	914 503 125 10	sill cover	/L	1		(21)	914 503 043 10	cover for engine compartment	/L	1	
(10)	914 503 126 10	sill cover	/R	1				- - - E N D - - -			
10/1	914 559 267 10	plug		2							
11	999 591 550 40	expansion rivet		12							

Model	Year	MG	SG	Illustration	Restrictions	Update	11:22	23.08.2006	PORSCHE	PET	PORSCHE
914	76	8	02	802-00		203					



Pos	Part Number	Name	Remarks	Qty	Model
		bumper front and rear	-74		
1	914 503 023 10	protective moulding	/V	1	
1	914 503 023 11	protective moulding for cars with headlight washer system (S)	/V 74-	1	914-1,8V/1,8 914-2,0
2	914 559 116 10	rubber base		5	
3	900 151 006 09	washer A 6,4		5	
4	900 076 010 02	hexagon nut M 6		5	
5	914 503 027 10	protective moulding	/H	1	
6	914 559 116 10	rubber base		5	
7	900 151 006 09	washer A 6,4		5	
8	900 076 010 02	hexagon nut M 6		5	
9	914 503 121 10	front embellisher		1	
(9)	914 503 235 10	front spoiler	M	1	914-4/1,7 914-1,8/1,8V 914-2,0
-	914 503 237 10	bracket for front spoiler	/L M	1	914-4/1,7 914-1,8/1,8V 914-2,0
-	914 503 238 10	bracket for front spoiler	/R	1	914-4/1,7 914-1,8/1,8V 914-2,0
-	N 010 264 4	hexagon-head bolt M 5 X 22		2	914-4/1,7 914-1,8/1,8V 914-2,0
-	914 503 239 10	screw for front spoiler mount		2	914-4/1,7 914-1,8/1,8V 914-2,0
-	N 012 006 4	lock ring 6		2	914-4/1,7 914-1,8/1,8V 914-2,0
-	900 076 010 02	hexagon nut M 6		2	914-4/1,7 914-1,8/1,8V 914-2,0

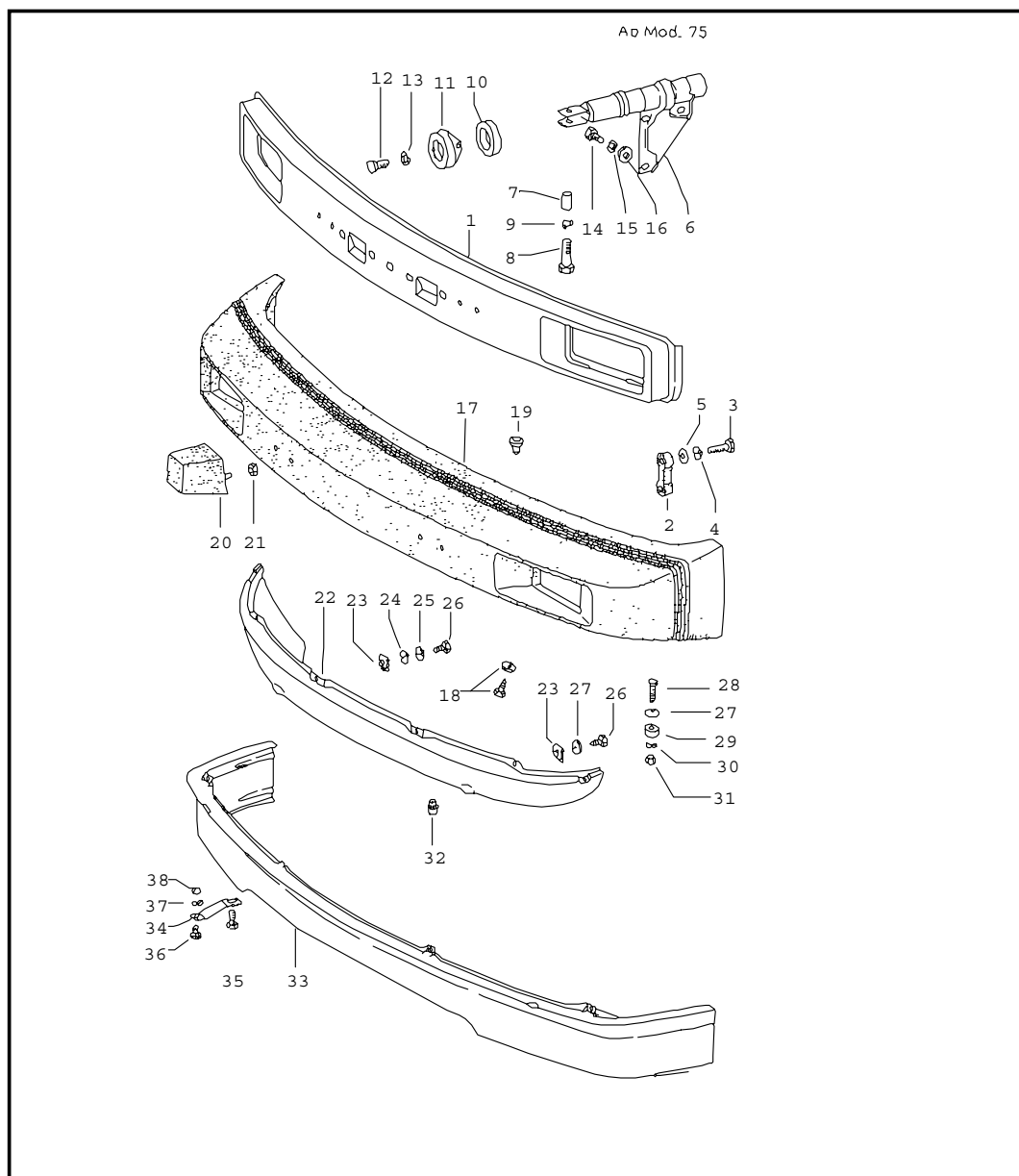
Model	Year	MG	SG	Illustration	Restrictions	Update	11:22	23.08.2006	PORSCHE	PET	PORSCHE
914	76	8	02	802-00		203					

Pos	Part Number	Name	Remarks	Qty	Model	Pos	Part Number	Name	Remarks	Qty	Model
-	999 507 024 02	speed nut 4,8		4	914-4/1,7 914-1,8/1,8V 914-2,0	24	N 012 005 3	lock ring B 5	72-	2	
10	900 187 018 02	hexagon-head tapping screw B 4,8 X 16		4		25	900 076 027 02	hexagon nut M 5	72-	2	
11	900 187 024 02	hexagon-head tapping screw BZ 4,8X 19	-71	1	914-6	26	914 559 253 10	buffer	72-	2	
11	900 187 024 02	hexagon-head tapping screw BZ 4,8 X 19	-71	2	914-4	28	914 505 107 10	desk pad		2	914-1,7/1,8
12	914 559 127 10	spacer	-71	2	914-6/4	29	900 025 007 02	washer A 8,4		4	914-1,7/1,8 914-2,0
13	900 151 027 02	washer B 5,3	-71	6	914-6/4	30	900 076 025 02	hexagon nut M 8		4	914-1,7/1,8 914-2,0
14	999 507 015 02	speed nut		6		31	914 503 009 10	rear embellisher		1	
15	914 505 009 10	bumper chrome	/V	1			GRV	prime coated			
15	914 505 010 10	bumper prime coated	/V	1		32	N 010 264 4	hexagon-head bolt M 5 X 20		2	
(15)	914 505 009 11	bumper chrome for cars with headlight washer system (S)	/V 74-	1		33	900 151 027 02	washer 5,3		6	
(15)	914 505 010 12	bumper prime coated for cars with headlight washer system (S)	/V 74-	1		34	914 559 127 11	spacer		2	
16	914 505 027 10	desk pad		2		35	900 076 027 02	hexagon nut M 5		2	
17	N 010 340 4	hexagon-head bolt M 8 X 40		4		36	N 013 884 5	tapping screw B 4,2 X 13		4	
18	900 114 021 01	shake-proof washer J 8,2		4		37	999 507 015 02	speed nut		4	
19	900 151 008 02	washer B 8,4		4		38	914 505 019 10	bumper chrome	/H	1	
20	999 151 027 50	sealing washer	72-	2		38	914 505 020 10	bumper prime coated	/H	1	
21	999 151 026 02	washer	72-	2		39	914 505 027 10	desk pad		2	
22	N 010 264 4	hexagon-head bolt M 5 X 20	72-	2		40	N 010 340 4	hexagon-head bolt M 8 X 40		4	
23	914 559 127 11	spacer	72-	2		41	900 114 021 01	shake-proof washer J 8,2		4	
						42	900 151 008 02	washer B 8,4		4	
						43	PCG 722 107 10	plug black for towing lug		1	914-4/1,7 914-1,8/1,8V 914-2,0

Model	Year	MG	SG	Illustration	Restrictions	Update	11:22	23.08.2006	PORSCHE	PET	PORSCHE
914	76	8	02	802-00		203					

Pos	Part Number	Name	Remarks	Qty	Model	Pos	Part Number	Name	Remarks	Qty	Model
43	914 722 109 10	plug chrome for towing lug	/H	1	914-6						
43	914 722 109 10	plug chrome for towing lug	/H M	1							
45	900 025 007 02	washer A 8,4	74-	4	914-1,8/2,0						
46	900 076 025 02	hexagon nut M 8	74-	4	914-1,8/2,0						
		- - - E N D - - -									

Model	Year	MG	SG	Illustration	Restrictions	Update	11:23	23.08.2006	PORSCHE	PET	PORSCHE
914	76	8	02	802-05		203					

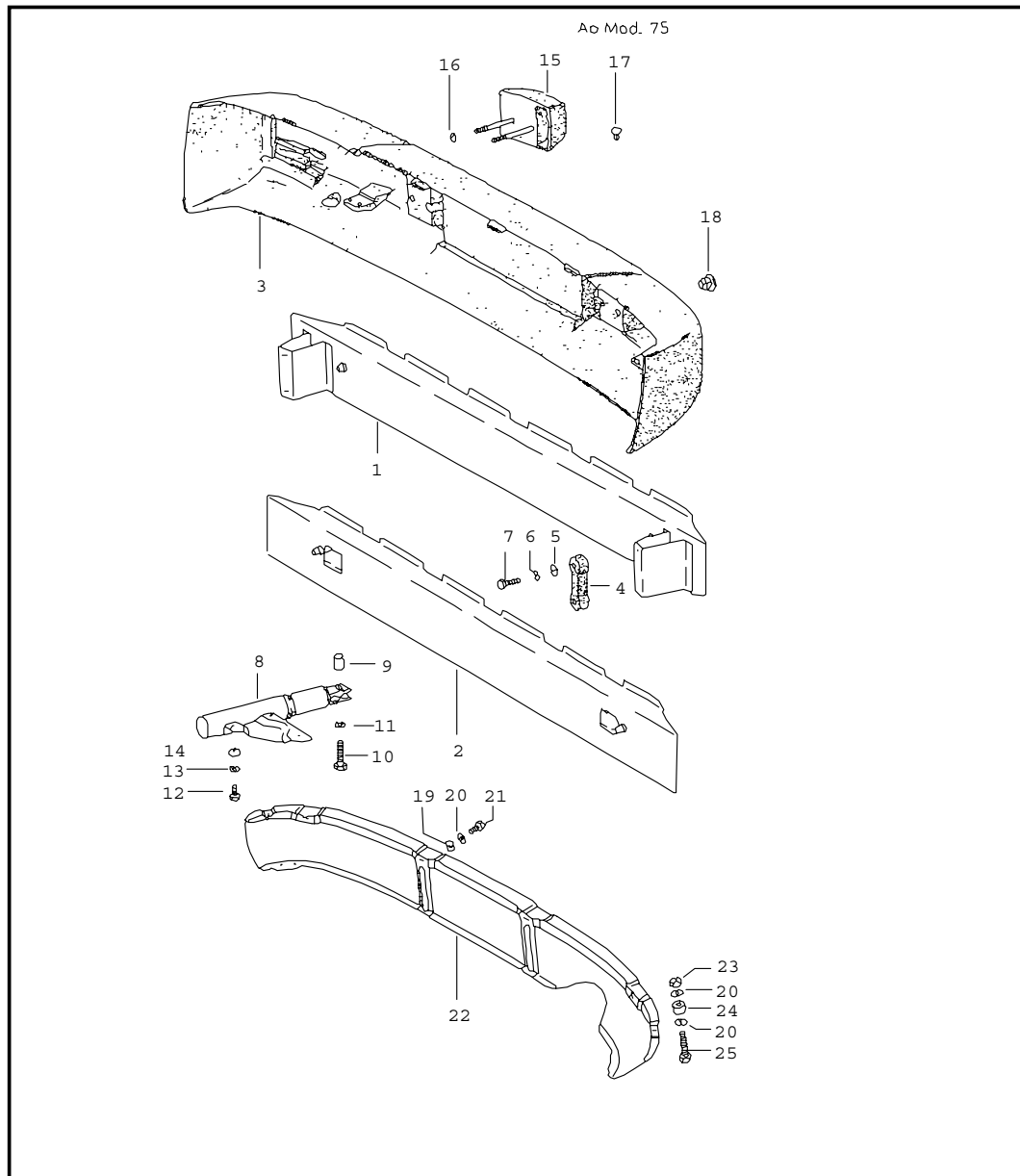


Pos	Part Number	Name	Remarks	Qty	Model
		bumper front	75-		
1	914 505 096 10	bracket for bumper	/V	1	914-1,8V/2,0
(1)	914 505 096 11	bracket for bumper	/V	1	914-1,8V/2,0 (S)
2	914 505 027 10	desk pad		2	914-1,8V/2,0
3	N 010 340 6	hexagon-head bolt M 8 X 40		4	914-1,8V/2,0
4	900 115 013 01	serrated lock washer 8		4	914-1,8V/2,0
5	900 151 008 02	washer 8		4	914-1,8V/2,0
7	133 807 173	spacer tube		2	914-1,8/2,0
8	N 010 154 4	hexagon-head bolt M 12 X 1,5 X 55		2	914-1,8/2,0
9	900 027 017 02	lock ring B 12		2	914-1,8/2,0
10	914 505 281 10	rubber mounting		2	914-1,8/2,0
11	914 505 283 10	support for rubber mounting		2	914-1,8/2,0
12	900 075 078 02	hexagon-head bolt M 8 X 15		4	914-1,8/2,0
13	900 027 015 02	lock ring B 8		4	914-1,8/2,0
14	N 010 251 2	hexagon-head bolt 10 X 18		6	914-1,8/2,0
15	900 027 016 02	lock ring B 10		6	914-1,8/2,0
16	900 025 008 02	washer 10		6	914-1,8/2,0
17	914 503 231 12	base		1	914-1,8V/1,8 914-2,0
18	N 013 888 2	tapping screw with washer		4	914-1,8V/1,8 914-2,0

Model	Year	MG	SG	Illustration	Restrictions	Update	11:23	23.08.2006	PORSCHE	PET	PORSCHE
914	76	8	02	802-05		203					

Pos	Part Number	Name	Remarks	Qty	Model	Pos	Part Number	Name	Remarks	Qty	Model
19	999 703 124 40	plug		2	914-1,8V/1,8 914-2,0	38	900 076 010 02	hexagon nut M6	M	2	914-1,8V/1,8 914-2,0
21	900 910 022 09	lock nut M 8		4	914-1,8/2,0			- - - E N D - - -			
22	914 503 121 10	front embellisher		1	914-1,8V/1,8 914-2,0						
23	999 507 015 02	speed nut		4	914-1,8V/1,8 914-2,0						
24	999 151 027 50	sealing washer		2	914-1,8V/1,8 914-2,0						
25	999 151 026 02	washer		2	914-1,8V/1,8 914-2,0						
26	900 187 018 02	hexagon-head tapping screw B 4,8 X 16		4	914-1,8V/1,8 914-2,0						
27	900 151 027 02	washer B 5,3		6	914-1,8V/1,8 914-2,0						
28	N 010 264 4	hexagon-head bolt M 5 X 20		2	914-1,8V/1,8 914-2,0						
29	914 559 127 11	spacer		2	914-1,8V/1,8 914-2,0						
30	N 012 005 3	lock ring B 5		2	914-1,8V/1,8 914-2,0						
31	900 076 027 02	hexagon nut M 5		2	914-1,8V/1,8 914-2,0						
32	914 559 253 10	buffer		2	914-1,8V/1,8 914-2,0						
33	914 503 235 10	front spoiler	M	1	914-1,8V/1,8 914-2,0						
34	914 503 237 10	bracket	/L M	1	914-1,8V/1,8 914-2,0						
(34)	914 503 238 10	bracket	/R M	1	914-1,8V/1,8 914-2,0						
35	N 010 264 4	hexagon-head bolt M 5 X 22	M	2	914-1,8V/1,8 914-2,0						
36	914 503 239 10	screw	M	2	914-1,8V/1,8 914-2,0						
37	N 012 006 4	lock ring B 6	M	2	914-1,8V/1,8 914-2,0						

Model	Year	MG	SG	Illustration	Restrictions	Update	11:23	23.08.2006	PORSCHE	PET	PORSCHE
914	76	8	02	802-10		203					

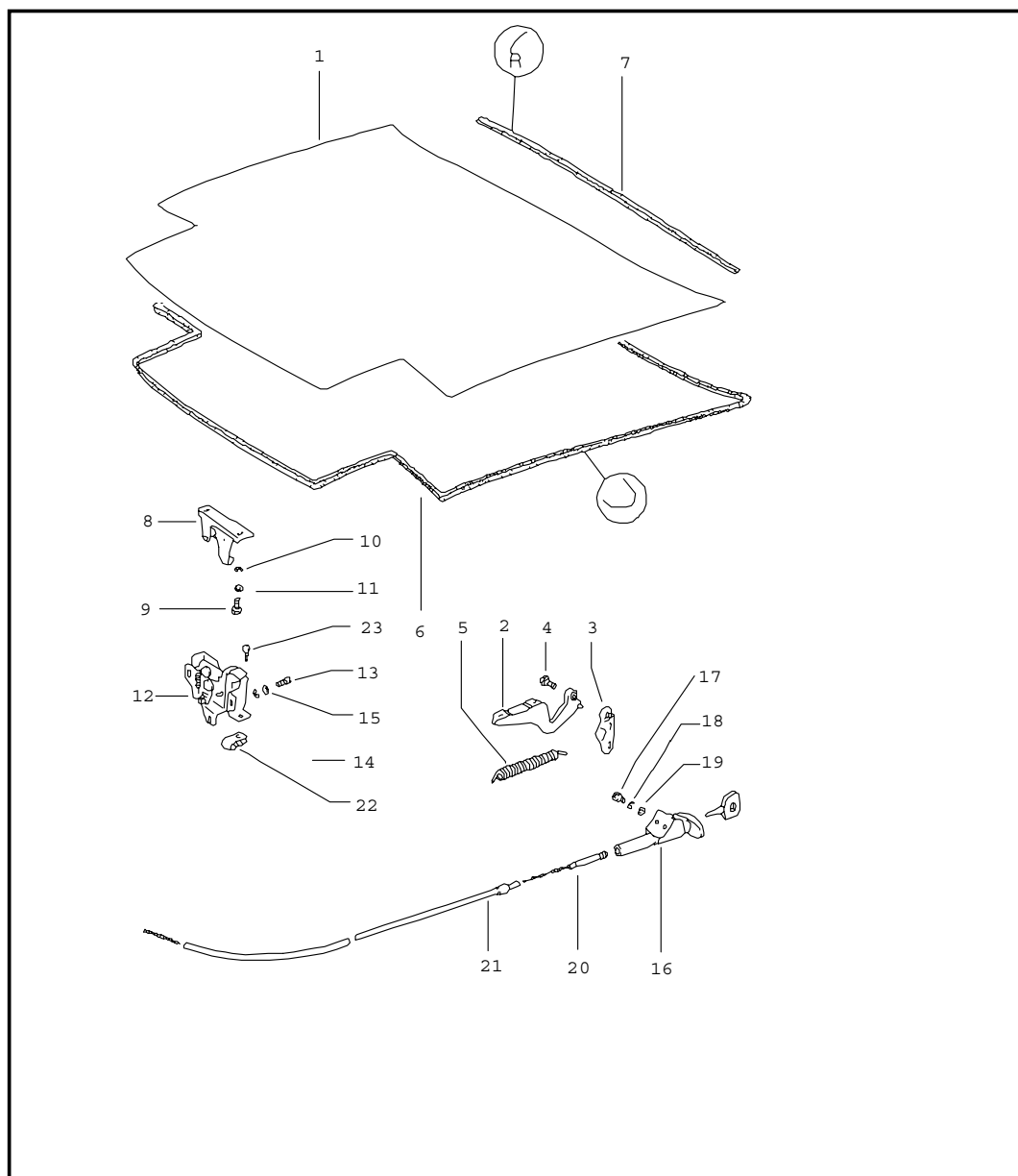


Pos	Part Number	Name	Remarks	Qty	Model
			75-		
1	914 505 093 10	bumper rear	/H	1	914-1,8V/2,0
3	914 503 233 10	bracket for bumper	/H	1	914-1,8V/1,8 914-2,0
4	914 505 027 10	base		2	914-1,8V/2,0
5	900 151 008 02	desk pad		4	914-1,8V/2,0
6	900 115 013 01	washer 8		4	914-1,8V/2,0
7	N 010 340 6	serrated lock washer 8		4	914-1,8V/2,0
9	133 807 173	hexagon-head bolt M 8 X 40		2	914-1,8/2,0
10	N 010 154 4	spacer tube		2	914-1,8/2,0
11	900 027 017 02	hexagon-head bolt M 12 X 1,5 X 55		2	914-1,8/2,0
12	N 010 251 2	lock ring B 12		6	914-1,8/2,0
13	900 027 016 02	hexagon-head bolt M 10 X 18		6	914-1,8/2,0
14	900 025 008 02	lock ring B 10		6	914-1,8/2,0
16	900 910 022 09	washer 10		4	914-1,8/2,0
17	999 591 554 40	lock nut M 8		7	914-1,8V/1,8 914-2,0
18	914 722 107 11	plastic rivet		1	914-1,8V/1,8 914-2,0
19	999 507 015 02	plug for towing lug		4	914-1,8V/1,8 914-2,0
20	900 151 027 02	speed nut		8	914-1,8V/1,8 914-2,0
21	N 013 884 5	washer 5,3		4	914-1,8V/1,8 914-2,0
22	914 503 009 10	tapping screw B 4,2 X 13		1	914-1,8V/1,8
		rear embellisher			

Model	Year	MG	SG	Illustration	Restrictions	Update	11:23	23.08.2006	PORSCHE	PET	PORSCHE
914	76	8	02	802-10		203					

Pos	Part Number	Name	Remarks	Qty	Model	Pos	Part Number	Name	Remarks	Qty	Model
	GRV	prime coated			914-2,0						
23	900 076 027 02	hexagon nut M 5		2	914-1,8V/1,8 914-2,0						
24	914 559 127 11	spacer		2	914-1,8V/1,8 914-2,0						
25	N 010 264 4	hexagon-head bolt M 5 X 20		2	914-1,8V/1,8 914-2,0						
		- - - E N D - - -									

Model	Year	MG	SG	Illustration	Restrictions	Update	11:23	23.08.2006	PORSCHE	PET	PORSCHE
914	76	8	03	803-00		203					

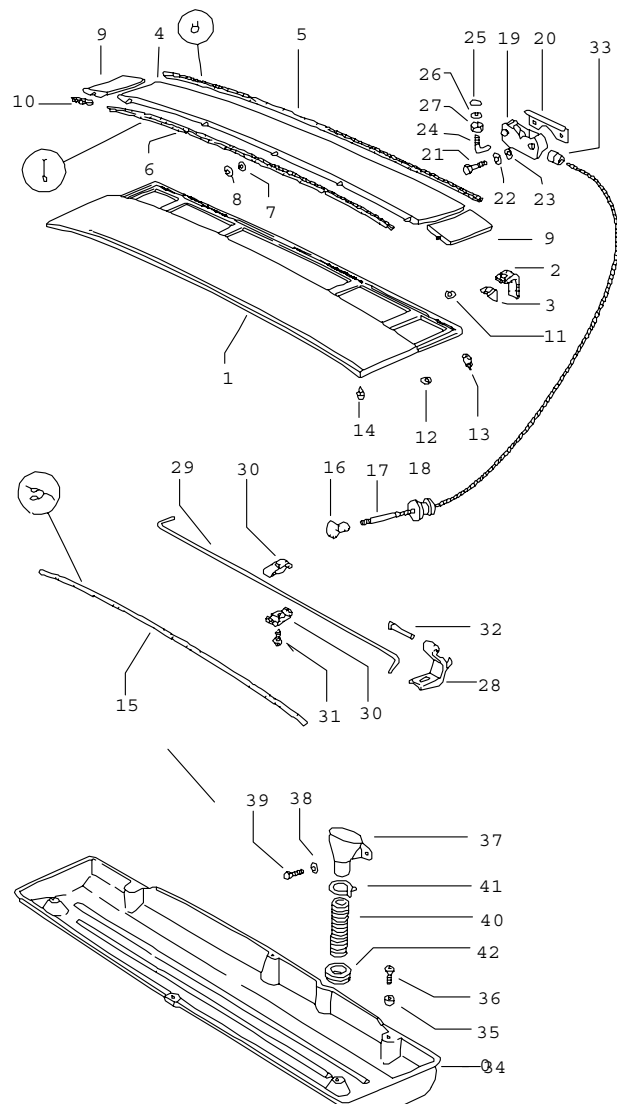


Pos	Part Number	Name	Remarks	Qty	Model
		cover front			
1	914 511 001 10	cover	/V	1	
2	914 511 035 10	hinge	/V/L	1	
(2)	914 511 036 10	hinge	/V/R	1	
3	914 511 037 10	bracket	/V/L	1	
(3)	914 511 038 10	bracket	/V/R	1	
4	914 512 191 10	fit bolt		2	
5	914 511 163 10	tension spring	/V	2	
6	914 511 901 10	sealing frame for luggage boot cover front		1	
7	914 511 902 10	sealing frame for centre part		1	
8	914 511 051 10	lid lock upper part		1	
9	N 010 215 13	hexagon-head bolt M 6 X 15	-74	2	
9	900 075 057 02	hexagon-head bolt M 6 X 16	75-	2	914-1,8V/1,8 914-2,0
10	900 027 014 01	lock ring B 6		2	
11	900 151 006 09	washer B 6,4		2	
12	914 511 052 10	lid lock lower part		1	
13	N 014 761 2	pan-head screw M 6 X 12		3	
14	N 012 007 2	lock ring A 6		3	
15	N 011 524 7	washer 6,4		3	
16	911 511 903 00	lock with lock cylinder and with 2 secondary keys w/o stipulated lock number		1	

Model	Year	MG	SG	Illustration	Restrictions	Update	11:23	23.08.2006	PORSCHE	PET	PORSCHE
914	76	8	03	803-00		203					

Pos	Part Number	Name	Remarks	Qty	Model	Pos	Part Number	Name	Remarks	Qty	Model
16	911 511 904 00	lock with lock cylinder and with 2 secondary keys state lock number		1							
-	999 703 036 50	rubber stop		2							
-	914 531 903 11	blank key state lock number		2							
-	914 531 903 11	blank key for secondary key		2							
17	900 067 051 02	pan-head screw M 5 X 10		2							
18	900 027 003 01	lock ring A 5		2							
19	900 025 003 02	washer 5,3		2							
20	914 511 091 10	wire pull		1							
21	914 511 231 10	guide tube		1							
22	311 823 567	clip for guide tube lid lock	/V	1							
23	N 013 968 7	tapping screw BZ 4,8 X 13		1							
		- - - E N D - - -									

Model	Year	MG	SG	Illustration	Restrictions	Update	11:23	23.08.2006	PORSCHE	PET	PORSCHE
914	76	8	03	803-05		203					

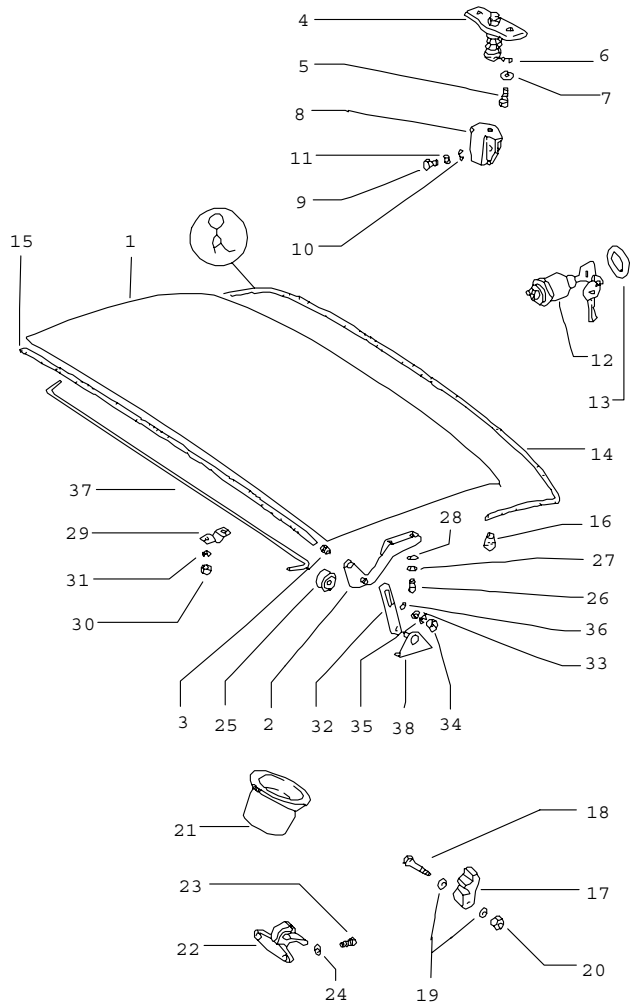


Pos	Part Number	Name	Remarks	Qty	Model
		cover engine compartment			
1	914 512 022 10	bonnet		1	
2	914 512 195 10	rubber stop	-73	1	914-6/4/1,7 914-2,0
3	914 512 325 10	reinforcement angle	-73	1	914-6/4/1,7 914-2,0
4	914 504 013 10	grille centre		1	
5	914 504 111 10	protective edging centre		1	
6	914 504 105 10	piping		1	
7	999 025 060 40	washer		7	
8	999 507 220 40	cap black		12	
(9)	914 504 011 10	grille lateral	/L	1	
9	914 504 012 10	grille lateral	/R	1	
(10)	914 504 107 10	piping	/L	1	
10	914 504 108 10	piping	/R	1	
11	999 025 060 40	washer		4	
12	999 507 220 40	cap black		6	
13	999 703 036 50	rubber stop		2	
14	914 559 253 10	buffer		2	
15	914 512 319 10	seal for bonnet and rear window		1	
16	901 552 813 20	handle		1	
17	914 511 091 10	wire pull		1	
18	914 512 177 10	bush		1	
19	914 512 029 10	lid lock		1	
20	914 512 159 10	retainer plate		1	

Model	Year	MG	SG	Illustration	Restrictions	Update	11:23	23.08.2006	PORSCHE	PET	PORSCHE
914	76	8	03	803-05		203					

Pos	Part Number	Name	Remarks	Qty	Model	Pos	Part Number	Name	Remarks	Qty	Model
21	900 074 015 02	hexagon-head bolt M 6 X 30		2		35	914 512 182 10	bush		2	
22	900 151 006 09	washer A 6,4		2		36	N 014 142 3	oval-head screw AM 6 X 20		2	
23	900 028 003 01	spring washer A 6		2		37	914 559 231 10	funnel		2	
24	914 512 155 10	hook		1		38	900 027 014 01	lock ring B 6,4		2	
25	N 012 241 1	spring washer B 8 X 15		1		39	900 075 057 02	hexagon-head bolt M 6 X 16		2	
26	900 025 007 02	washer 8,4		1		40	PCG 571 900 00	water drain hose		2	
27	900 076 025 02	hexagon nut M 8		1		41	999 512 165 02	hose clamp		2	
28	914 512 139 10	hinge for bonnet	/L	1		42	999 702 091 50	rubber sleeve		2	
(28)	914 512 140 10	hinge for bonnet	/R	1				- - - E N D - - -			
29	914 512 321 10	torsion bar	/L	1	914-4/1,7 914-1,8/1,8V 914,2,0						
(29)	914 512 322 10	torsion bar	/R	1	914-4/1,7 914-1,8/1,8V 914-2,0						
(29)	914 512 323 10	torsion bar	/L	1	914-6						
(29)	914 512 324 10	torsion bar	/R	1	914-6						
30	914 512 105 10	bearing		2							
-	900 076 010 02	hexagon nut M 6		2							
31	900 145 016 01	rais. counters. h. tap. s. B 4,2 X 19		1							
32	900 224 009 00	clinch pin A 6H 9 X 48		2							
33	914 504 319 00	grommet		1							
34	914 512 189 10	water drip pan picture 34 - 42 not for 914-6		1							

Model	Year	MG	SG	Illustration	Restrictions	Update	11:23	23.08.2006	PORSCHE	PET	PORSCHE
914	76	8	03	803-10		203					

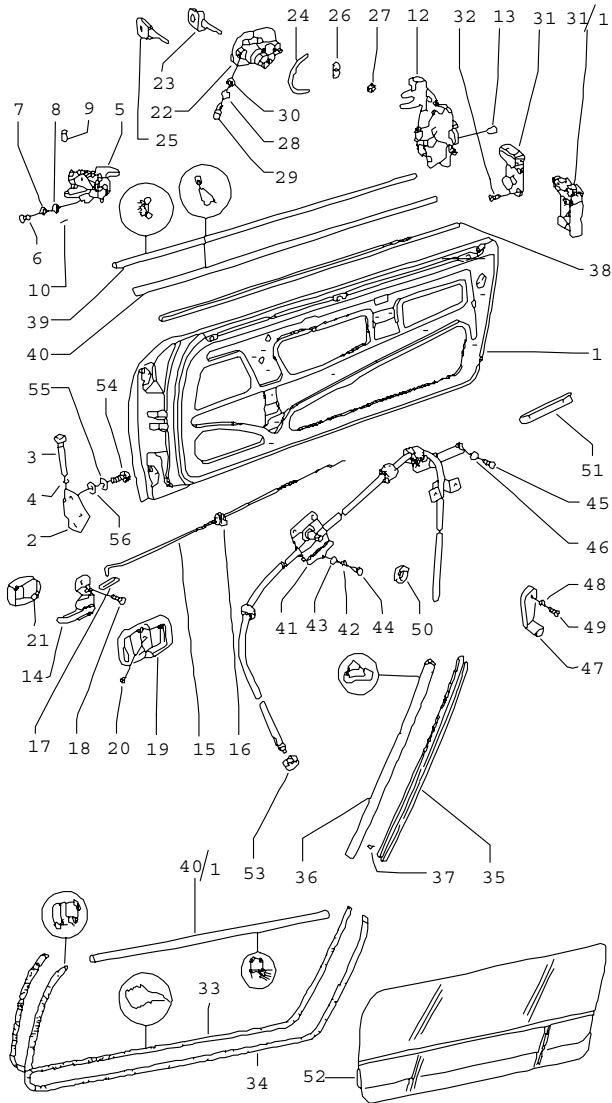


Pos	Part Number	Name	Remarks	Qty	Model
1	914 512 001 10	cover rear		1	
2	914 512 059 10	hinge	/L	1	
(2)	914 512 060 10	hinge	/R	1	
3	914 512 191 10	fit bolt		2	
4	914 512 041 10	lid lock upper part		1	
5	N 010 215 13	hexagon-head bolt M 6 X 15	-74	2	
5	900 075 057 02	hexagon-head bolt M 6 X 16	75-	2	
6	N 012 007 2	lock ring A 6		2	
7	N 011 524 7	washer 6,4		2	
8	914 512 042 10	lid lock lower part		1	
9	N 010 215 13	hexagon-head bolt M 6 X 15	-74	2	
9	900 075 057 02	hexagon-head bolt M 6 X 16	75-	2	
10	N 012 007 2	lock ring A 6		2	
11	N 011 524 7	washer 6,4		2	
12	914 512 913 00	push-button lock with lock cylinder and 2 main key w/o stipulated lock number		1	
12	914 512 914 00	push-button lock with lock cylinder and 2 main key state lock number		1	
-	914 531 637 10	main key state lock number		2	

Model	Year	MG	SG	Illustration	Restrictions	Update	11:23	23.08.2006	PORSCHE	PET	PORSCHE
914	76	8	03	803-10		203					

Pos	Part Number	Name	Remarks	Qty	Model	Pos	Part Number	Name	Remarks	Qty	Model
-	914 531 903 10	blank key for main key		2		30	900 076 010 02	hexagon nut M 6		8	
13	914 512 193 10	desk pad		1		31	900 027 014 01	lock ring B 6		8	
14	914 512 317 10	seal	/H	1		32	914 512 215 10	joint		2	
15	914 512 315 10	seal for luggage boot cover and engine compartment		1		33	900 151 008 02	washer B 8,4		4	
16	999 703 036 50	rubber stop		2		34	900 076 025 02	hexagon nut M 8		4	
17	914 559 015 10	support for roof	/L	1		35	900 027 015 02	lock ring B 8		4	
(17)	914 559 016 10	support for roof	/R	1		36	900 028 004 01	spring washer A8		2	
18	N 010 347 5	hexagon-head bolt M 6 X 35		2		37	914 512 227 10	rotary slide	/L	1	
19	N 011 524 7	washer A 6,4		4		(37)	914 512 228 10	rotary slide	/R	1	
20	900 084 010 02	hexagon nut M 6		3		38	914 501 569 10	bearing	/L	1	
21	914 559 227 10	cap		2		(38)	914 501 570 10	bearing	/R	1	
22	914 559 219 10	bearing bracket		2					- - - E N D - - -		
23	900 075 010 02	hexagon-head bolt M 6 X 12		4							
24	900 151 006 09	washer A 6,4		4							
25	914 512 263 11	roller	-74	2							
25	914 512 263 11	roller	75-	2	914-1,8V/1,8 914-2,0						
26	N 010 239 11	hexagon-head bolt M 8 X 18		4							
27	900 027 015 02	lock ring B 8		4							
28	900 025 007 02	washer 8,4		4							
29	914 512 219 10	clip		4							

Model	Year	MG	SG	Illustration	Restrictions	Update	11:24	23.08.2006	PORSCHE	PET	PORSCHE
914	76	8	04	804-00		203					



Pos	Part Number	Name	Remarks	Qty	Model
		door with installation parts			
		differing parts see group 8/04/05	73-		
(1)	914 531 167 10	bare door shell	/L	1	914-1,7/1,8V 914-1,8/2,0
1	914 531 168 10	bare door shell	/R	1	914-1,7/1,8V 914-1,8/2,0
2	914 531 303 10	hinge half door		4	
3	901 531 305 20	pin for door hinge		4	
4	311 831 443	spring washer		4	
5	914 531 037 10	door support		2	
6	900 075 010 02	hexagon-head bolt M 6 X 12		4	
7	N 011 524 7	washer 6,4		4	
8	900 027 014 01	lock ring B 6		4	
9	900 088 014 02	bolt 6 H 11 X 16 X 12		2	
10	900 021 002 02	cotter pin 1,5 X 10		2	
12	914 531 053 11	door lock	/L -71	1	914-6/4
(12)	914 531 053 11	door lock	/L 72-	1	
(12)	914 531 054 11	push-button lock	/R -71	1	914-6/4
(12)	914 531 054 11	door lock	/R 72-	1	
13	914 531 523 10	rais. counters. h. tap. s. self-locking		8	
14	411 837 071	inner door release	/L	1	
(14)	411 837 072	inner door release	/R	1	
15	914 531 515 10	operating rod	/L	1	
(15)	914 531 516 10	operating rod	/R	1	
16	911 531 565 00	rubber mounting		2	

Model	Year	MG	SG	Illustration	Restrictions	Update	11:24	23.08.2006	PORSCHE	PET	PORSCHE
914	76	8	04	804-00		203					

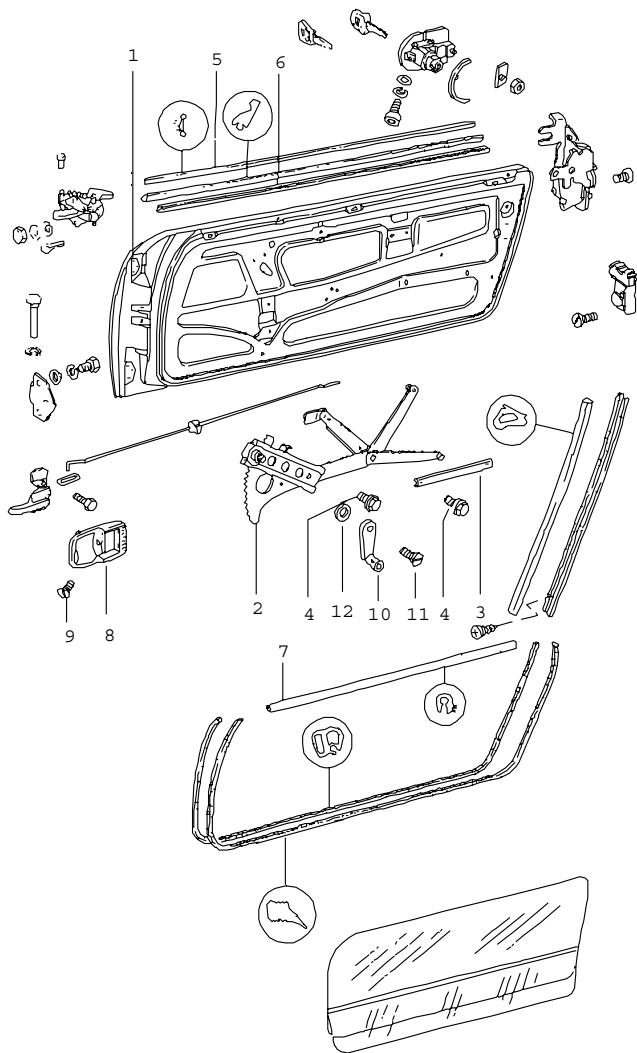
Pos	Part Number	Name	Remarks	Qty	Model	Pos	Part Number	Name	Remarks	Qty	Model
17	113 837 199	spring 37,5 MM		4		28	900 027 014 01	lock ring B 6		2	
18	900 075 010 02	hexagon-head bolt M 6 X 15		4		29	N 014 750 3	pan-head screw M 6 X 10		2	
19	411 837 097	rose		2	914-6/4	30	N 011 524 7	washer 6,4		2	
20	900 147 004 02	countersunk-head screw AM 5 X 12		2	914-6/4	31	151 837 035 C	end plate		1	ALLE
21	411 837 095	finger plate		2	914-6/4	31	111 837 035 D	end plate	/L -71	1	914-6/4
22	914 531 909 00	outer door handle with lock cylinder and with 2 secondary keys state lock number	/L	1		31/1	111 837 035 E	end plate	/L 72- -73	1	914-6/4/1,7 914-2,0
(22)	914 531 910 00	outer door handle with lock cylinder and with 2 secondary keys state lock number	/R	1		(31)	151 837 036 C	end plate		1	ALLE
(22)	914 531 910 00	outer door handle with lock cylinder and with 2 secondary keys state lock number	/R	1		(31)	111 837 036 D	end plate	/R -71	1	914-6/4
22	914 531 905 00	outer door handle with lock cylinder and with 2 secondary keys w/o stipulated lock number	/L	1		31/1	111 837 036 E	end plate	/R 72- -73	1	914-6/4/1,7 914-2,0
(22)	914 531 906 00	outer door handle with lock cylinder and with 2 secondary keys w/o stipulated lock number	/R	1		31/1	151 837 036 C	door lock striker	/R 74-	1	914-1,8V/1,8 914-2,0
23	914 531 637 10	main key state lock number		2		32	914 531 523 10	rais. counters. h. tap. s. self-locking		2	
(23)	914 531 903 10	blank key for main key		2		33	914 531 813 10	door sealing outer	/L	1	
24	914 531 601 10	desk pad	/V	2		(33)	914 531 814 10	door sealing outer	/R	1	
25	914 531 639 10	blank key state lock number		2		34	914 531 821 10	door seal inner	/L	1	
(25)	914 531 903 11	blank key for secondary key		2		(34)	914 531 822 10	door seal inner	/R	1	
26	914 531 603 10	desk pad	/H	2		35	914 531 827 10	clamping piece for roll bar	/L	1	
27	900 084 024 02	hexagon nut M 6		2		(35)	914 531 828 10	clamping piece for roll bar	/R	1	
						36	914 531 143 10	gasket for roll bar	/V/L -73	1	914-6/4/1,7 914-2,0
						(36)	914 531 143 10	gasket for roll bar	/V/L 74-	1	914-1,8V/1,8 914-2,0

Model	Year	MG	SG	Illustration	Restrictions	Update	11:24	23.08.2006	PORSCHE	PET	PORSCHE
914	76	8	04	804-00		203					

Pos	Part Number	Name	Remarks	Qty	Model	Pos	Part Number	Name	Remarks	Qty	Model
(36)	914 531 144 10	gasket for roll bar	/V/R -73	1	914-6/4/1,7 914-2,0	54	111 899 145	hexagon-head bolt M 8		6	
(36)	914 531 144 10	gasket for roll bar	/V/R 74-	1	914-1,8V/1,8 914-2,0	55	900 027 015 02	lock ring B 8		6	
37	900 144 009 00	counters. head tapp. screw 2,9 X 13		18		56	900 025 034 02	washer A 8,4		6	
38	914 531 951 10	retaining strip		2	914-6/4						
39	914 531 957 10	profile		2							
40	914 531 873 10	sealing rubber	/L	1							
(40)	914 531 874 10	sealing rubber	/R	1							
40/1	914 531 937 10	sealing for door slot		2	914-6/4						
(41)	914 542 041 10	power windows	/L	1	914-6/4						
41	914 542 042 10	power windows	/R	1	914-6/4						
42	900 025 028 02	washer 6,4		12	914-6/4						
43	900 027 014 01	lock ring B 6		12	914-6/4						
44	900 143 024 02	oval-head sheetmetal screw B 5,5 X 16		12	914-6/4						
45	900 146 044 02	oval-head screw AM 6 X 10		4	914-6/4						
46	900 027 014 01	lock ring B 6		4	914-6/4						
47	113 837 581 D	window crank		2	914-6/4						
48	900 115 011 01	serrated lock washer V 5,3		2	914-6/4						
49	N 014 263 3	countersunk-head screw AM 5 X 8		2	914-6/4						
50	111 837 595	desk pad		2	914-6/4						
51	914 542 401 10	guide rail		2	914-6/4						
52	914 531 033 10	sealing for door slot	/L	1							
(52)	914 531 034 10	sealing for door slot	/R	1							
53	999 702 054 50	rubber sleeve		2	914-6/4						

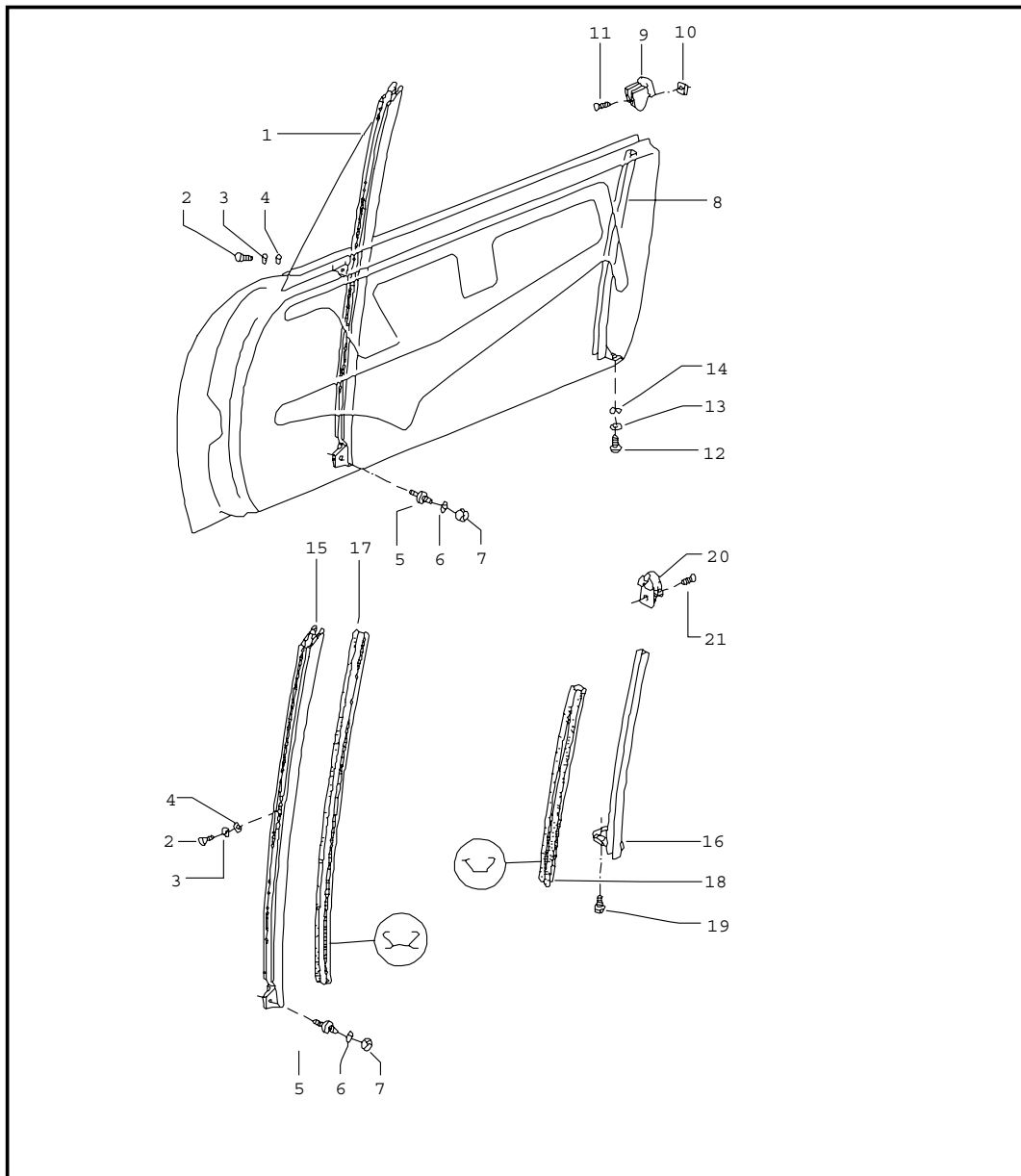
Model	Year	MG	SG	Illustration	Restrictions	Update	11:24	23.08.2006	PORSCHE	PET	PORSCHE
914	76	8	04	804-05		203					

Ao Mod. 73



Pos	Part Number	Name	Remarks	Qty	Model
		door with installation parts	73-		
		differing parts see group 8/04/00			
(1)	914 531 167 10	bare door shell	/L	1	914-1,8V
1	914 531 168 10	bare door shell	/R	1	914-1,8V
(2)	914 542 043 10	power windows	/L	1	
2	914 542 044 10	power windows	/R	1	
(3)	914 542 185 10	guide rail	/L	1	
3	914 542 186 10	guide rail	/R	1	
4	N 014 339 1	hexagon-head bolt M 6 X 8		16	
5	914 531 957 10	profile		2	
(6)	914 531 958 10	retaining strip	/L	1	
6	914 531 959 10	retaining strip	/R	1	
7	914 531 939 10	sealing for door slot		2	
8	211 837 097	rose		2	
9	N 014 127 4	oval-head screw AM 5 X 6		2	
10	321 837 581	window crank		2	
		01C black			
11	N 014 216 1	countersunk-head screw AM 5 X 10		2	
12	111 837 595	desk pad		2	
		- - - E N D - - -			

Model	Year	MG	SG	Illustration	Restrictions	Update	11:24	23.08.2006	PORSCHE	PET	PORSCHE
914	76	8	04	804-10		203					

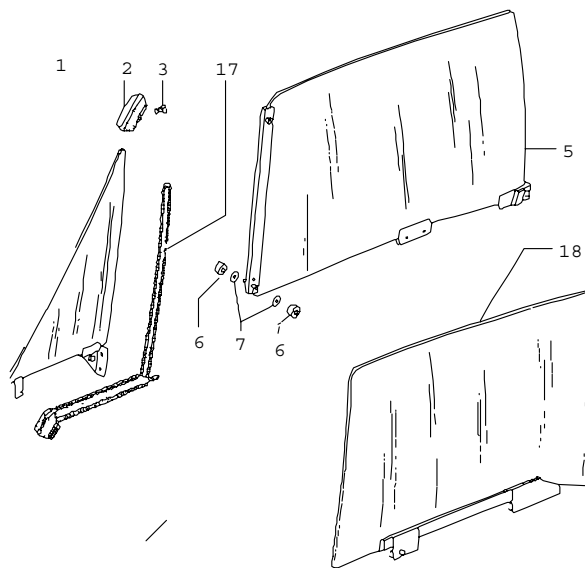
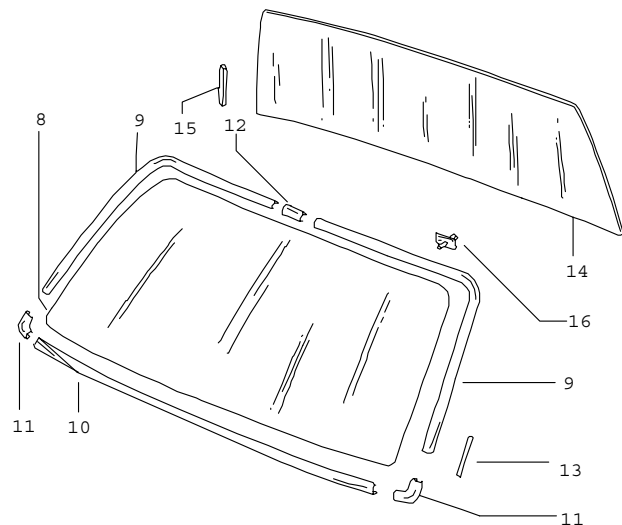


Pos	Part Number	Name	Remarks	Qty	Model
		door glass frame			
(1)	914 542 013 10	guide	/L	1	914-6/4
1	914 542 014 10	guide	/R	1	914-6/4
2	900 075 010 02	hexagon-head bolt M 6 X 12		6	
3	900 025 028 02	washer 6,4		6	
4	900 027 014 01	lock ring B 6		6	
5	914 542 109 10	shouldered bolt		2	
6	900 025 007 02	washer A 8,4		2	
7	900 075 078 02	hexagon-head bolt M 8		2	
(8)	914 542 027 10	guide rail	/H/L	1	914-6/4
8	914 542 028 10	guide rail	/H/R	1	914-6/4
(9)	914 542 111 10	guide piece	/L	1	914-6/4
9	914 542 112 10	guide piece	/R	1	914-6/4
10	999 507 001 02	speed nut		2	914-6/4
11	900 144 014 02	counters. head tapp. screw 4,2 X 13		2	914-6/4
12	900 146 044 02	oval-head screw AM 6 X 10		2	914-6/4
13	N 011 524 7	washer A 6,4		2	914-6/4
14	N 012 007 2	lock ring A 6		2	914-6/4
(15)	914 542 013 11	guide	/L	1	914-1,7/1,8V 914-1,8/2,0
15	914 542 014 11	guide	/R	1	914-1,7/1,8V 914-1,8/2,0
(16)	914 542 029 12	guide rail	/L	1	914-1,7/1,8V 914-1,8/2,0
16	914 542 030 12	guide rail	/R	1	914-1,7/1,8V 914-1,8/2,0

Model	Year	MG	SG	Illustration	Restrictions	Update	11:24	23.08.2006	PORSCHE	PET	PORSCHE
914	76	8	04	804-10		203					

Pos	Part Number	Name	Remarks	Qty	Model	Pos	Part Number	Name	Remarks	Qty	Model
17	914 542 161 12	window guide		2	914-1,7/1,8V 914-1,8/2,0						
18	914 542 171 14	window guide		2	914-1,7/1,8V 914-1,8/2,0						
19	900 146 044 02	oval-head screw AM 6 X 10		4	914-1,7/1,8V 914-1,8/2,0						
(20)	914 542 173 10	terminal piece	/L	1	914-1,7/1,8V 914-1,8/2,0						
20	914 542 174 10	terminal piece	/R	1	914-1,7/1,8V 914-1,8/2,0						
21	900 140 032 02	rais. counters. h. tap. s. B 2,9 X 6,5		2	914-1,7/1,8V 914-1,8/2,0						
		- - - E N D - - -									

Model	Year	MG	SG	Illustration	Restrictions	Update	11:24	23.08.2006	PORSCHE	PET	PORSCHE
914	76	8	05	805-00		203					

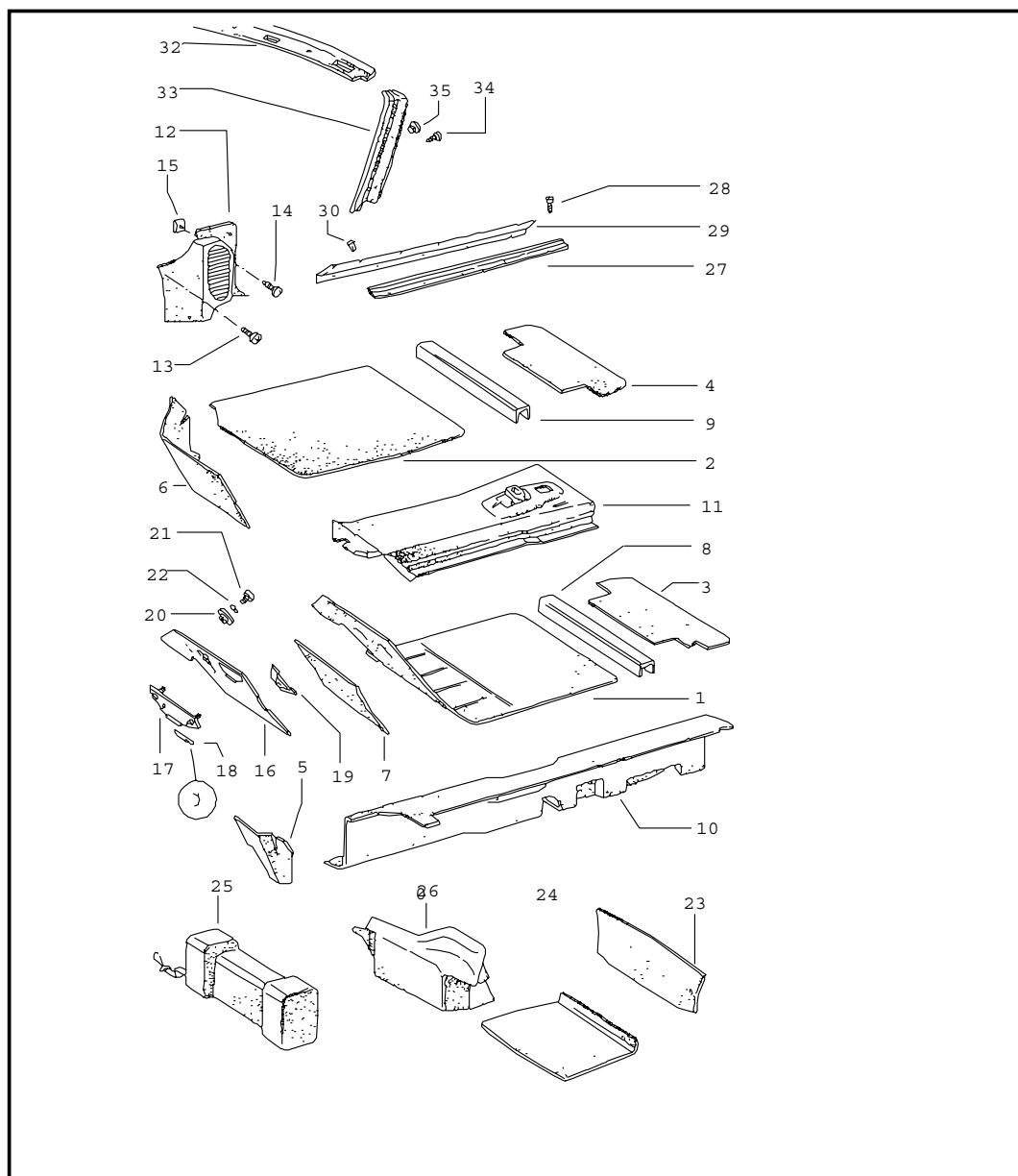


Pos	Part Number	Name	Remarks	Qty	Model
		windows			
1	914 542 023 10	side window clear	/L	1	
1	914 542 025 10	side window heat protection glass	/L M	1	
(1)	914 542 024 10	side window clear	/R	1	
(1)	914 542 026 10	side window heat protection glass	/R M	1	
2	PCG 542 017 10	protection cap		2	
3	N 033 165 1	countersunk-head screw AM 4 X 8		4	
5	914 542 905 10	door glass clear	/L	1	914-6/4
5	914 542 911 10	door glass heat protection glass	/L M	1	914-6/4
(5)	914 542 906 10	door glass clear	/R	1	914-6/4
(5)	914 542 912 10	door glass heat protection glass	/R M	1	914-6/4
6	914 542 307 10	roller		8	914-6/4
7	914 542 217 10	spring washer		8	914-6/4
8	914 541 101 10	windscreen clear laminated glass		1	914-6/2,0
8	914 541 101 10	windscreen clear laminated glass	M	1	914-4/1,7 914-1,8V/1,8
(8)	914 541 102 10	windscreen heat protection glass	M	1	
8	914 541 101 10	windscreen clear tempered plate glass not for (USA) (CDN) (S)		1	914-4/1,7 914-1,8V/1,8

Model	Year	MG	SG	Illustration	Restrictions	Update	11:24	23.08.2006	PORSCHE	PET	PORSCHE
914	76	8	05	805-00		203					

Pos	Part Number	Name	Remarks	Qty	Model	Pos	Part Number	Name	Remarks	Qty	Model
9	914 541 213 10	moulding upper	/L	1				- - - E N D - - -			
9	914 541 214 10	moulding upper	/R	1							
10	914 541 215 10	moulding lower		1							
11	914 541 217 10	end piece for trim frame		2							
12	914 541 219 10	connecting piece		1							
-	477 898 011 A	adhesive tape for windscreen		1							
-	477 898 011 A	sealing set repair kit for rear window		1							
13	914 541 907 10	spacer for windscreen		2							
14	914 545 103 10	rear window clear		1							
(14)	914 545 101 10	rear window clear heated	M	1							
15	914 541 907 10	spacer for rear window		2							
16	914 541 921 11	moulding clip		19							
17	914 542 325 10	sealing frame	/L	1							
(17)	914 542 326 10	sealing frame	/R	1							
18	914 542 039 12	door glass clear	/L	1	914-1,7/1,8V 914-1,8/2,0						
18	914 542 035 12	door glass heat protection glass	/L	1	914-1,7/1,8V 914-1,8/2,0	M					
(18)	914 542 036 12	door glass heat protection glass	/R	1	914-1,7/1,8V 914-1,8/2,0	M					
(18)	914 542 040 12	door glass clear	/R	1	914-1,7/1,8V 914-1,8/2,0						

Model	Year	MG	SG	Illustration	Restrictions	Update	11:25	23.08.2006	PORSCHE	PET	PORSCHE
914	76	8	07	807-00		203					



Pos	Part Number	Name	Remarks	Qty	Model
		interior equipment front			
		loop pile not available			
1	914 551 023 10	carpet needled felt please state the colour	/V/L -71	1	
1	914 551 023 12	carpet needled felt please state the colour	/V/L 72-	1	
2	914 551 024 10	carpet needled felt please state the colour	/V/R -71	1	
2	914 551 094 10	carpet needled felt please state the colour	/V/R 72-	1	
3	914 551 021 10	carpet needled felt please state the colour	/H/L	1	
4	914 551 022 10	carpet needled felt please state the colour	/H/R 72-	1	
5	914 551 425 10	lining for firewall needled felt please state the colour	/L	1	
6	914 551 426 10	lining for firewall needled felt please state the colour	/R -71	1	
(6)	914 551 428 10	lining for firewall needled felt please state the colour	/R 72-	1	
7	914 551 149 10	lining for firewall needled felt please state the colour	/L	1	

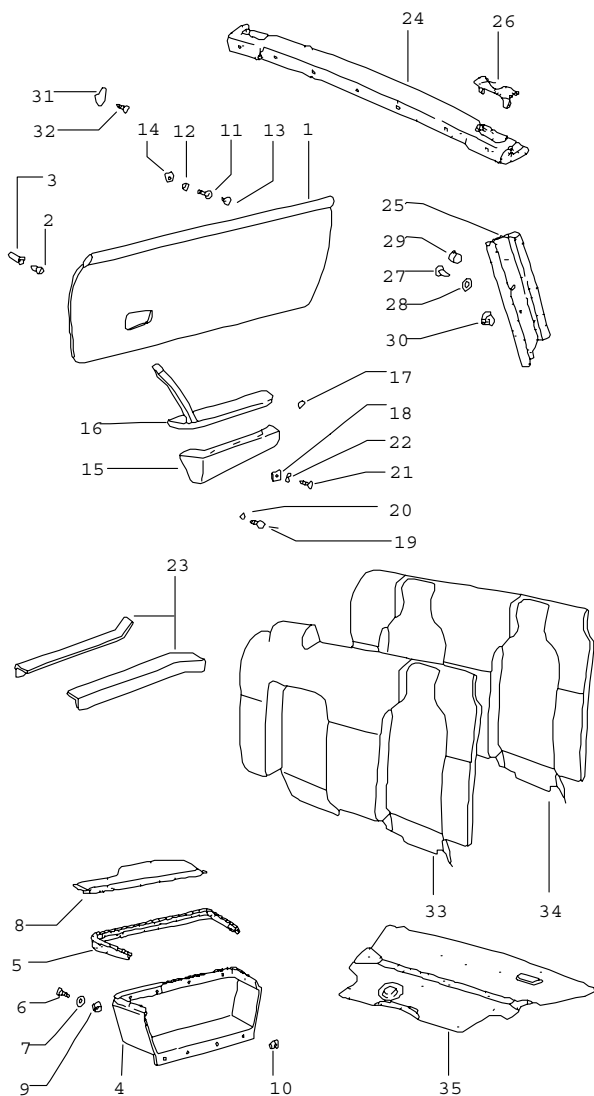
Model	Year	MG	SG	Illustration	Restrictions	Update	11:25	23.08.2006	PORSCHE	PET	PORSCHE
914	76	8	07	807-00		203					

Pos	Part Number	Name	Remarks	Qty	Model	Pos	Part Number	Name	Remarks	Qty	Model
8	914 551 171 10	lining for cross member seat leatherette please state the colour	/L -71	1		11	914 551 180 10	lining for tunnel needled felt please state the colour	-70	1	914-6
8	914 551 171 11	lining for cross member seat leatherette	/L 72- -74	1		11	914 551 179 11	lining for tunnel needled felt for sealing sleeve rubber please state the colour		1	914-4/1,7 914-1,8/1,8V 914-2,0
9	914 551 172 10	lining for cross member seat leatherette please state the colour	/R -71	1		11	914 551 165 10	lining for tunnel needled felt for leather sleeve please state the colour	/R M	1	914-1,7/1,8V 914-1,8/2,0
9	914 551 172 11	lining for cross member seat leatherette	/R 72- -74	1		11	914 551 166 10	lining for tunnel centre console needled felt please state the colour	M	1	914-4/1,7 914-1,8/1,8V 914-2,0
10	914 551 177 10	lining for side member needled felt please state the colour	/L -71	1		(12)	914 551 505 10	bracket for loudspeaker	/L	1	
10	914 551 177 11	lining for side member needled felt please state the colour	/L 72-	1		12	914 551 506 10	bracket for loudspeaker	/R	1	
(10)	914 551 178 10	lining for side member needled felt please state the colour	/R -71	1		13	900 145 053 07	tapping screw B 4,8 X 22		6	
(10)	914 551 178 11	lining for side member needled felt please state the colour	/R 72-	1		14	900 145 030 02	rais. counters. h. tap. s. B 4,8 X 16		2	
11	914 551 179 10	lining for tunnel please state the colour		1	914-4	15	999 507 002 02	speed nut		2	
						16	914 551 061 10	pedal floor board	/L	1	
						17	914 551 067 00	stop for clutch pedal		1	
						18	914 551 655 10	rubber moulding 40 MM		1	
						19	901 501 390 00	plate		1	
						20	914 551 651 10	desk pad		1	

Model	Year	MG	SG	Illustration	Restrictions	Update	11:25	23.08.2006	PORSCHE	PET	PORSCHE
914	76	8	07	807-00		203					

Pos	Part Number	Name	Remarks	Qty	Model	Pos	Part Number	Name	Remarks	Qty	Model
21	900 067 009 02	pan-head screw M 6 X 15		2		29	914 551 137 11	scuff plate aluminium not available 914.551.137.11 use F >>47329 18918		2	
22	N 042 121 3	shake-proof washer A 6,4		2		29	914 551 137 11	scuff plate plastic material F 47329 18919>>		2	914-1,7/1,8V 914-1,8/2,0
23	914 551 187 10	lining for cross panel needled felt	-71	1	914-6/4	30	999 591 550 40	expansion rivet		24	
(23)	914 551 187 11	lining for cross panel needled felt	72- -74	1		32	914 555 047 10	padding upper		1	914-6/4
(23)	914 551 107 10	lining for cross panel needled felt	75-	1	914-1,8V/1,8 914-2,0	32	914 555 047 12	padding upper		1	914-1,7/1,8V 914-1,8/2,0
(24)	914 551 029 12	cover for emergency wheel		1		33	914 555 013 10	padding lateral	/L	1	914-6/4
25	914 551 015 10	foot support needled felt please state the colour	-71	1	914-4	(33)	914 555 014 12	roof frame padding lateral	/R	1	914-6/4
26	914 551 429 10	insert for foot support	-74	1	914-1,7/1,8V 914-1,8/2,0	(33)	914 555 014 12	padding lateral	/R	1	914-1,7/1,8V 914-1,8/2,0
(26)	914 551 429 12	insert for foot support	75-	1	914-1,8V/1,8 914-2,0	34	N 013 957 5	tapping screw B 3,5 X 9,5		8	
-	914 551 430 10	cover	75-	1	914-1,8V/1,8 914-2,0	35	914 552 233 10	filler piece		8	
27	914 551 419 11	sealing inner aluminium F >>47329 18918		2				- - - E N D - - -			
27	914 551 419 11	cover strip inner plastic material F 47329 18919>>		2	914-1,7/1,8V 914-1,8/2,0						
28	900 145 041 00	tapping screw B 3,5 X 16 F >>47329 18918		10							
28	N 014 087 5	rais. counters. h. tap. s. B 3,5 X 16 black F 47329 18919>>		10	914-1,7/1,8V 914-1,8/2,0						

Model	Year	MG	SG	Illustration	Restrictions	Update	11:25	23.08.2006	PORSCHE	PET	PORSCHE
914	76	8	07	807-05		203					



Pos	Part Number	Name	Remarks	Qty	Model
		interior equipment rear			
(1)	914 555 017 09	door trim panel please state the colour	/L -70	1	914-6/4
(1)	914 555 017 10	door trim panel please state the colour	/L 71	1	914-6/4
(1)	914 555 017 11	door trim panel please state the colour F >>91424 30039 F >>47229 09016	/L 72-	1	914-6/4
(1)	914 555 257 10	door trim panel please state the colour F 91424 30040>> F 47229 09017>>	/L 72-	1	914-6/4
(1)	914 555 283 10	door trim panel please state the colour	-74	1	914-1,7/1,8V 914-1,8/2,0
(1)	914 555 283 11	door trim panel please state the colour	/L 75-	1	914-1,8V/1,8 914-2,0
1	914 555 018 09	door trim panel please state the colour	/R -70	1	914-6/4
1	914 555 018 10	door trim panel please state the colour	/R 71	1	914-6/4
1	914 555 018 11	door trim panel please state the colour F >>91424 30039 F >>47229 09016	/R 72-	1	914-6/4
1	914 555 258 10	door trim panel please state the colour F 91424 30040>> F 47229 09017>>	/R 72-	1	914-6/4
1	914 555 284 10	door trim panel please state the colour	/R -74	1	914-1,7/1,8V 914-1,8/2,0
1	914 555 284 11	door trim panel please state the colour	/R 75-	1	914-1,8V/1,8 914-2,0
2	999 591 310 40	fixing clip	-73	18	914-6/4/1,7 914-2,0
2	823 867 299	clip	74-	18	914-1,8V/1,8 914-2,0
3	999 591 311 40	bush	-73	18	914-6/4/1,7 914-2,0

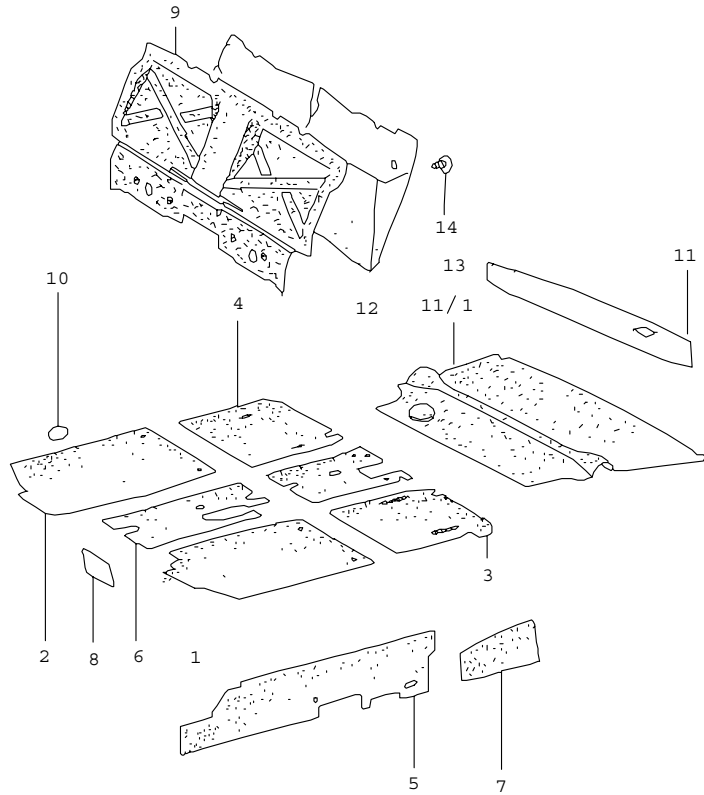
Model	Year	MG	SG	Illustration	Restrictions	Update	11:25	23.08.2006	PORSCHE	PET	PORSCHE
914	76	8	07	807-05		203					

Pos	Part Number	Name	Remarks	Qty	Model	Pos	Part Number	Name	Remarks	Qty	Model
4	914 555 021 09	cover for door bag please state the colour	/L -70	1	914-6/4	(15)	914 555 138 10	cover for door armrest	/R 72-	1	
4	914 555 021 10	cover for door bag please state the colour	/L 71	1	914-6/4	16	914 555 087 10	armrest	/R	1	
4	914 555 021 11	cover for door bag please state the colour	/L 72-	1		17	914 555 589 10	clamping piece		6	
5	914 555 025 10	frame for door bag	/L	1		18	999 507 318 02	klips nut lock		3	
6	900 145 006 02	rais. counters. h. tap. s. B 3,5 X 19		6		19	900 067 111 02	pan-head screw M 5 X 18		3	
7	999 591 102 12	protection washer		6		20	900 025 003 02	washer 5,3		3	
8	914 555 027 10	cover	/L	1		21	900 145 006 02	rais. counters. h. tap. s. B 3,5 X 19		3	
9	999 507 317 02	klips nut lock		2		22	999 591 102 12	protection washer		3	
10	999 507 001 02	speed nut		1		23	914 551 173 10	lining for tunnel leatherette please state the colour	/H/L -71	1	914-6/4
11	900 067 111 02	pan-head screw M 5 X 18		1		23	914 551 173 11	lining for tunnel leatherette	/H/L 72-	1	
12	900 025 003 02	washer		1		23	914 551 174 11	lining for tunnel leatherette please state the colour	/H/R -71	1	914-6/4
13	914 555 129 10	plug		2		23	914 551 174 11	lining for tunnel leatherette	/H/R 72-	1	
14	999 507 317 02	klips nut lock		2		24	914 552 097 10	padding upper for roll bar		1	914-6/4
15	914 555 044 09	cover for door armrest please state the colour	/R -70	1	914-6/4	24	914 552 097 12	padding upper for roll bar		1	914-1,7/1,8V 914-1,8/2,0
(15)	914 555 044 10	cover for door armrest please state the colour	/R 71	1	914-6/4	25	914 552 033 10	padding lateral for roll bar	/L	1	914-6/4

Model	Year	MG	SG	Illustration	Restrictions	Update	11:25	23.08.2006	PORSCHE	PET	PORSCHE
914	76	8	07	807-05		203					

Pos	Part Number	Name	Remarks	Qty	Model	Pos	Part Number	Name	Remarks	Qty	Model
25	914 552 033 12	padding lateral for roll bar	/L	1	914-1,7/1,8V 914-1,8/2,0	33	914 555 075 09	rear wall leatherette/cloth please state the colour	-70	1	914-6/4
(25)	914 552 034 10	padding lateral for roll bar	/R	1	914-6/4	33	914 555 075 10	rear wall leatherette/cloth please state the colour	71	1	914-6/4
(25)	914 552 034 12	padding lateral for roll bar	/R	1	914-1,7/1,8V 914-1,8/2,0	34	914 555 061 11	rear wall leatherette please state the colour	72-	1	914-6/4
26	914 552 447 10	cover F >>47329 18796	/L -73	1	914-6/4/1,7 914/2,0	34	914 555 061 12	rear wall leatherette please state the colour	-74	1	914-1,7/1,8V 914/1,8/2,0
26	914 552 467 10	cover F 47329 18797>>	/L 73-	1	914-1,7/1,8V 914-1,8/2,0	34	914 555 061 13	rear wall leatherette please state the colour	75-	1	914-1,8V/1,8 914-2,0
(26)	914 552 448 10	cover F >>47329 18796	/R -73	1	914-6/4/1,7 914-2,0	35	914 551 040 10	luggage boot trim	-71	1	914-6/4
(26)	914 552 468 10	cover F 47329 18797>>	/R 73-	1	914-1,7/1,8V 914-2,0	35	914 551 040 11	luggage boot trim	72-	1	914-6/4
27	900 143 072 02	oval-head sheetmetal screw 3,5 X 19		15		35	914 551 044 10	luggage boot trim		1	914-1,7/1,8V 914-1,8/2,0
28	901 803 113 20	cover disc		8	914-6/4/1,7			- - - E N D - - -			
28	901 803 113 20	cover disc		2	914-1,8V/1,8 914-2,0						
29	901 803 115 20	plug		8	914-6/4/1,7						
29	901 803 115 20	plug		2	914-1,8V/1,8 914-2,0						
29	211 857 785	plug	74-	4	914-1,8V/1,8 914-2,0						
30	914 552 233 10	filler piece		14							
31	901 552 870 40	coat hook		1							
32	N 013 975 4	tapping screw B 4,8 X 19		1							
33	914 555 061 09	rear wall leatherette please state the colour	-70	1	914-6/4						
33	914 555 061 10	rear wall leatherette please state the colour	71	1	914-6/4						

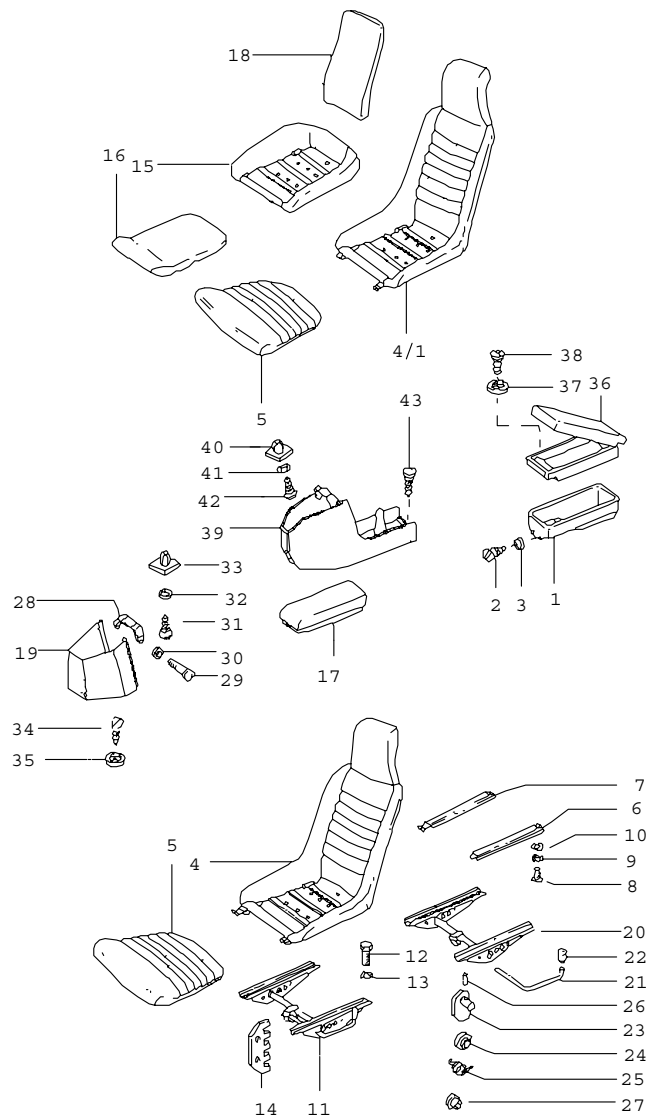
Model	Year	MG	SG	Illustration	Restrictions	Update	11:25	23.08.2006	PORSCHE	PET	PORSCHE
914	76	8	07	807-10		203					



Pos	Part Number	Name	Remarks	Qty	Model
		sound absorber			
1	914 556 113 10	damping mat	/V/L	1	
2	914 556 114 10	damping mat	/V/R	1	
3	914 556 115 10	damping mat	/H/L	1	
4	914 556 116 10	damping mat	/H/R -71	1	914-6/4
(4)	914 556 116 11	damping mat	/H/R 72-	1	
5	914 556 117 10	damping mat	/L	1	
(5)	914 556 118 10	damping mat	/R	1	
6	914 556 119 10	damping mat	/V	1	
7	914 556 121 10	damping mat wheel housing	/L	1	
(7)	914 556 122 10	damping mat wheel housing	/R	1	
8	914 556 125 10	damping mat cross panel		3	
9	914 556 129 10	damping mat	-71	1	914-6/4
(9)	914 556 129 11	damping mat	72-	1	
10	914 556 109 10	damping mat		4	914-4/1,7 914-1,8/1,8V 914-2,0
11	914 556 265 10	luggage boot cover	/H	1	914-6/4
11/1	914 556 003 10	damping mat heat insulation	/H	1	
12	914 556 128 10	damping mat tunnel	/H -71	1	914-6/4
(12)	914 556 128 11	damping mat tunnel	/H 72-	1	
13	914 556 135 10	damping mat		1	914-1,7/1,8V 914-1,8/2,0
14	914 559 377 10	plastic plug		4	914-1,7/1,8V 914-1,8/2,0
- - - E N D - - -					

Model	Year	MG	SG	Illustration	Restrictions	Update	11:25	23.08.2006	PORSCHE	PET	PORSCHE
914	76	8	08	808-00		203					

Pos	Part Number	Name	Remarks	Qty	Model
		seat			
1	914 521 251 10	shelf		1	
2	900 145 023 02	rais. counters. h. tap. s. B 3,9 X 13		4	
3	999 591 011 12	washer		4	
4-5	914 521 010 09	front seat driver's side leatherette please state the colour	-70	1	914-6/4
4-5	914 521 010 10	front seat driver's side leatherette please state the colour	71	1	914-6/4
4-5	914 521 010 12	front seat driver's side leatherette please state the colour	-74	1	
4-5	914 521 010 15	front seat driver's side leatherette please state the colour	75-	1	914-1,8V/2,0
4-5	914 521 382 10	front seat driver's side leatherette for seat belt warning contact please state the colour	74	1	914-1,8/2,0 (USA)
(4-5)	914 521 382 12	front seat driver's side leatherette for seat belt warning contact please state the colour	75-	1	914-1,8/2,0 (USA)
(4-5)	914 521 091 09	front seat driver's side leatherette/ cloth please state the colour	-70	1	914-6/4
(4-5)	914 521 091 10	front seat driver's side leatherette/ cloth please state the colour	71	1	914-6/4



Model	Year	MG	SG	Illustration	Restrictions	Update	11:25	23.08.2006	PORSCHE	PET	PORSCHE
914	76	8	08	808-00		203					

Pos	Part Number	Name	Remarks	Qty	Model	Pos	Part Number	Name	Remarks	Qty	Model
(4-5)	914 521 091 12	front seat driver's side leatherette/ cloth please state the colour	74	1		/1-5	914 521 099 12	front seat passenger's side leatherette/ cloth please state the colour	72-74	1	
(4-5)	914 521 091 15	front seat driver's side leatherette/ cloth please state the colour	75-	1	914-1,8V/2,0	/1-5	914 521 099 14	front seat passenger's side leatherette/ cloth please state the colour	75-	1	914-1,8V/2,0
(4-5)	914 521 384 10	front seat driver's side leatherette/ cloth for seat belt warning contact please state the colour	74	1	914-1,8/2,0 (USA)	/1-5	914 521 383 11	front seat passenger's side leatherette/ cloth for seat belt warning contact please state the colour	72-	1	914-4 (USA)
(4-5)	914 521 384 12	front seat driver's side leatherette/ cloth for seat belt warning contact please state the colour	75-	1	914-1,8/2,0 (USA)	/1-5	914 521 383 12	front seat passenger's side leatherette/ cloth for seat belt warning contact please state the colour	72-74	1	914-4/1,7 914-1,8/2,0 (USA)
/1-5	914 521 061 12	front seat passenger's side leatherette please state the colour	72-74	1		/1-5	914 521 383 14	front seat passenger's side leatherette/ cloth for seat belt warning contact please state the colour	75-	1	914-1,8/2,0 (USA)
/1-5	914 521 061 14	front seat passenger's side leatherette please state the colour	75-	1	914-1,8V/2,0						
/1-5	914 521 381 12	front seat passenger's side leatherette for seat belt warning contact please state the colour	(USA) 72- -74	1	914-4/1,7 914-1,8/1,8V 914-2,0	5	914 521 035 09	seat cushion driver's side leatherette please state the colour	-70	1	914-6/4
						5	914 521 035 10	seat cushion driver's side leatherette please state the colour	71	1	914-6/4
/1-5	914 521 381 14	front seat passenger's side leatherette for seat belt warning contact please state the colour	75-	1	914-1,8/2,0 (USA)	5	914 521 035 12	seat cushion driver's side and passenger's side leatherette please state the colour	72-74	2	

Model	Year	MG	SG	Illustration	Restrictions	Update	11:25	23.08.2006	PORSCHE	PET	PORSCHE
914	76	8	08	808-00		203					

Pos	Part Number	Name	Remarks	Qty	Model	Pos	Part Number	Name	Remarks	Qty	Model
5	914 521 035 14	seat cushion driver's side and passenger's side leatherette please state the colour	75-	2	914-1,8V/2,0	(5)	914 521 093 12	seat cushion driver's side and passenger's side leatherette/ cloth please state the colour	72-74	2	
5 A	914 521 333 11	seat cushion passenger's side leatherette for seat belt warning contact please state the colour	72-	1	914-4 (USA)	(5)	914 521 093 14	seat cushion driver's side and passenger's side leatherette/ cloth please state the colour	75-	2	914-1,8V/2,0
5	914 521 333 12	seat cushion driver's side and passenger's side leatherette for seat belt warning contact please state the colour	72-74	2	914-4/1,7 914-1,8/2,0 (USA)	(5)	914 521 335 11	seat cushion passenger's side leatherette/ cloth for seat belt warning contact please state the colour	72-	1	914-4 (USA)
5	914 521 333 14	seat cushion driver's side and passenger's side leatherette for seat belt warning contact please state the colour	75-	2	914-1,8/2,0 (USA)	(5)	914 521 335 12	seat cushion driver's side and passenger's side leatherette/ cloth for seat belt warning contact please state the colour	72-74	2	914-4/1,7 914-1,8/2,0 (USA)
(5)	914 521 093 09	seat cushion driver's side leatherette/ cloth please state the colour	-70	1	914-6/4	(5)	914 521 335 14	seat cushion driver's side and passenger's side leatherette/ cloth for seat belt warning contact please state the colour	75-	2	914-1,8/2,0 (USA)
(5)	914 521 093 10	seat cushion driver's side leatherette/ cloth please state the colour	71	1	914-6/4						
(5) A	914 521 093 11	seat cushion driver's side and passenger's side leatherette/ cloth please state the colour	72-	2	914-6/4	6	914 521 030 10	seat rail	/L	2	
						7	914 521 029 10	seat rail	/R	2	
						-	914 521 146 10	rivet		2	
						8	900 119 091 02	pan-head screw M 6 X 15		16	
						9	N 042 121 3	shake-proof washer A 6,4		16	

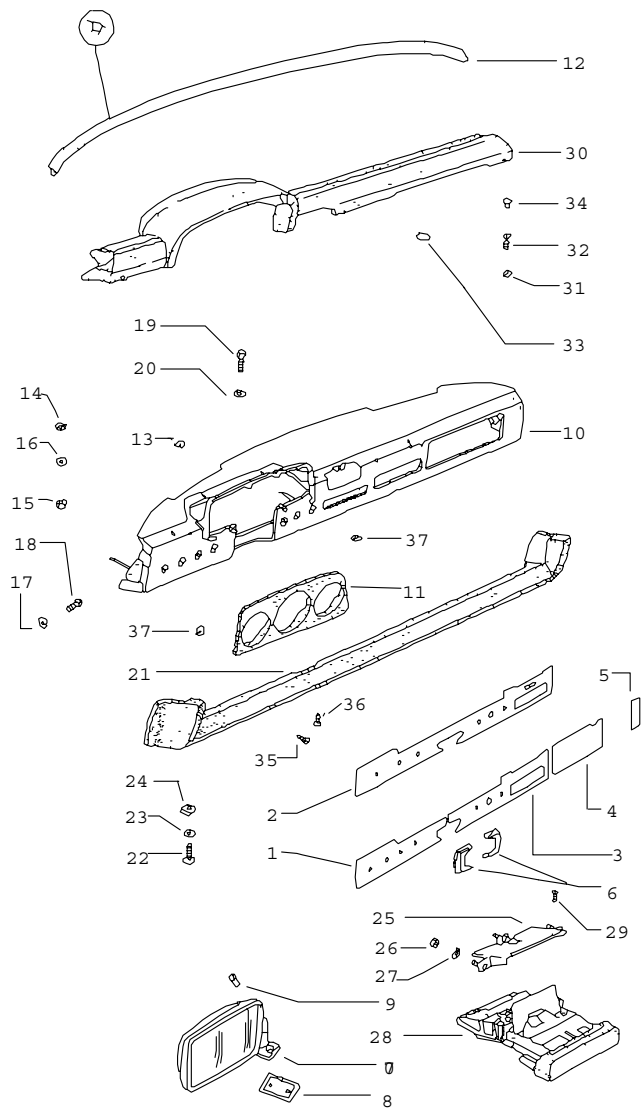
Model	Year	MG	SG	Illustration	Restrictions	Update	11:25	23.08.2006	PORSCHE	PET	PORSCHE
914	76	8	08	808-00		203					

Pos	Part Number	Name	Remarks	Qty	Model	Pos	Part Number	Name	Remarks	Qty	Model
10	N 011 524 7	washer B 6,4		16		(16)	914 521 056 09	seat cushion passenger's side leatherette/ cloth please state the colour	-70	1	914-6/4
11	914 521 031 10	seat frame front seat driver's side with height adjustment	-73	1	914-6/4/1,7 914-2,0	(16)	914 521 056 10	seat cushion passenger's side leatherette/ cloth please state the colour	71	1	914-6/4
11	914 521 031 11	seat frame front seat driver's side with height adjustment	74-	1	914-1,8V/1,8 914-2,0	17	914 521 053 09	back seat cushion leatherette please state the colour	-70	1	914-6/4
11	914 521 074 10	seat frame front seat passenger's side with height adjustment	72-73	1	914-6/4/1,7 914-2,0	(17)	914 521 053 10	back seat cushion leatherette please state the colour	71	1	914-6/4
11	914 521 074 11	seat frame front seat passenger's side with height adjustment	74-	1	914-1,8V/1,8 914-2,0	(17)	914 521 053 11	back seat cushion leatherette please state the colour	72-74	1	
12	900 075 193 08	hexagon-head bolt M 6 X 15	-74	8		(17)	914 521 053 14	back seat cushion leatherette please state the colour	75-	1	914-1,8V/1,8 914-2,0
12	900 075 193 08	hexagon-head bolt M 6 X 16	75-	8	914-1,8V/1,8 914-2,0	18	914 555 081 09	backrest passenger's side leatherette please state the colour	-70	1	914-6/4
13	N 042 121 3	shake-proof washer A 6,4		8		(18)	914 555 081 10	backrest passenger's side leatherette please state the colour	71	1	914-6/4
14	914 521 217 10	locking segment		2		(18)	914 555 079 09	backrest passenger's side leatherette/ cloth please state the colour	-70	1	914-6/4
15	914 521 075 09	cup passenger's side leatherette please state the colour	-70	1	914-6/4	(18)	914 555 079 10	backrest passenger's side leatherette/ cloth please state the colour	71	1	914-6/4
(15)	914 521 075 10	cup passenger's side leatherette please state the colour	71	1	914-6/4	19	914 559 037 10	package box needled felt please state the colour		1	914-6/4
16	914 521 047 09	seat cushion passenger's side leatherette please state the colour	-70	1	914-6/4	19	914 559 038 10	package box loop pile please state the colour		1	914-6/4
(16)	914 521 047 10	seat cushion passenger's side leatherette please state the colour	71	1	914-6/4						

Model	Year	MG	SG	Illustration	Restrictions	Update	11:25	23.08.2006	PORSCHE	PET	PORSCHE
914	76	8	08	808-00		203					

Pos	Part Number	Name	Remarks	Qty	Model	Pos	Part Number	Name	Remarks	Qty	Model
19	914 559 038 12	package box loop pile please state the colour	-74	1	914-1,7/2,0	28	914 559 035 10	support for package box		1	
19	914 559 038 13	package box loop pile please state the colour	75-	1	914-1,8V/1,8 914-2,0	29	N 014 140 5	oval-head screw AM 6 X 15		2	
20	914 521 041 10	seat frame front seat driver's side without actuating lever	-73	1	914-6/4/1,7 914,2,0	30	900 151 006 09	washer 6,4		2	
21	914 521 287 10	shaft front seat driver's side with actuating lever		1		31	900 143 029 02	oval-head sheetmetal screw BZ 4,2 X 16		2	
(21)	914 521 206 10	shaft front seat passenger's side with actuating lever	72-	1		32	900 151 028 02	washer 4,3		2	
22	914 521 249 10	handle		2		33	999 507 401 40	special nut		2	
23	914 521 219 10	stop seat adjuster front seat driver's side		1		34	900 145 062 02	rais. counters. h. tap. s. B 3,5 X 25		1	
(23)	914 521 220 10	stop seat adjuster front seat passenger's side	72-	1		35	999 591 102 12	protection washer		1	
24	914 521 203 10	bush for shaft		2		36	914 521 556 10	package box with back seat	M	1	914-1,7/1,8V 914-1,8/2,0
25	914 521 283 10	spring for shaft front seat driver's side		1		36	914 521 556 12	package box with back seat	M	1	914-1,7/1,8V 914-1,8/2,0
(25)	914 521 284 10	spring for shaft front seat passenger's side	72-	1		37	999 591 011 12	washer	M	1	914-1,7/1,8V 914-1,8/2,0
26	900 095 010 01	tensioning sleeve 3,5 X 24		2		38	900 145 022 02	rais. counters. h. tap. s. B 3,9 X 19	M	4	914-1,7/1,8V 914-1,8/2,0
27	914 521 205 10	bush		2		39	914 559 402 10	centre console	M M	1	914-1,7/1,8V 914-1,8/2,0
						40	999 507 401 40	special nut	M	2	914-1,7/1,8V 914-1,8/2,0
						41	900 151 028 02	washer B 4,3	M	2	914-1,7/1,8V 914-1,8/2,0
						42	900 143 073 02	oval-head sheetmetal screw BZ 4,2 X 19	M	2	914-1,7/1,8V 914-1,8/2,0
						43	900 143 073 02	oval-head sheetmetal screw BZ 4,2 X 19	M	2	914-1,7/1,8V 914-1,8/2,0
								- - - E N D - - -			

Model	Year	MG	SG	Illustration	Restrictions	Update	11:26	23.08.2006	PORSCHE	PET	PORSCHE
914	76	8	09	809-00		203					

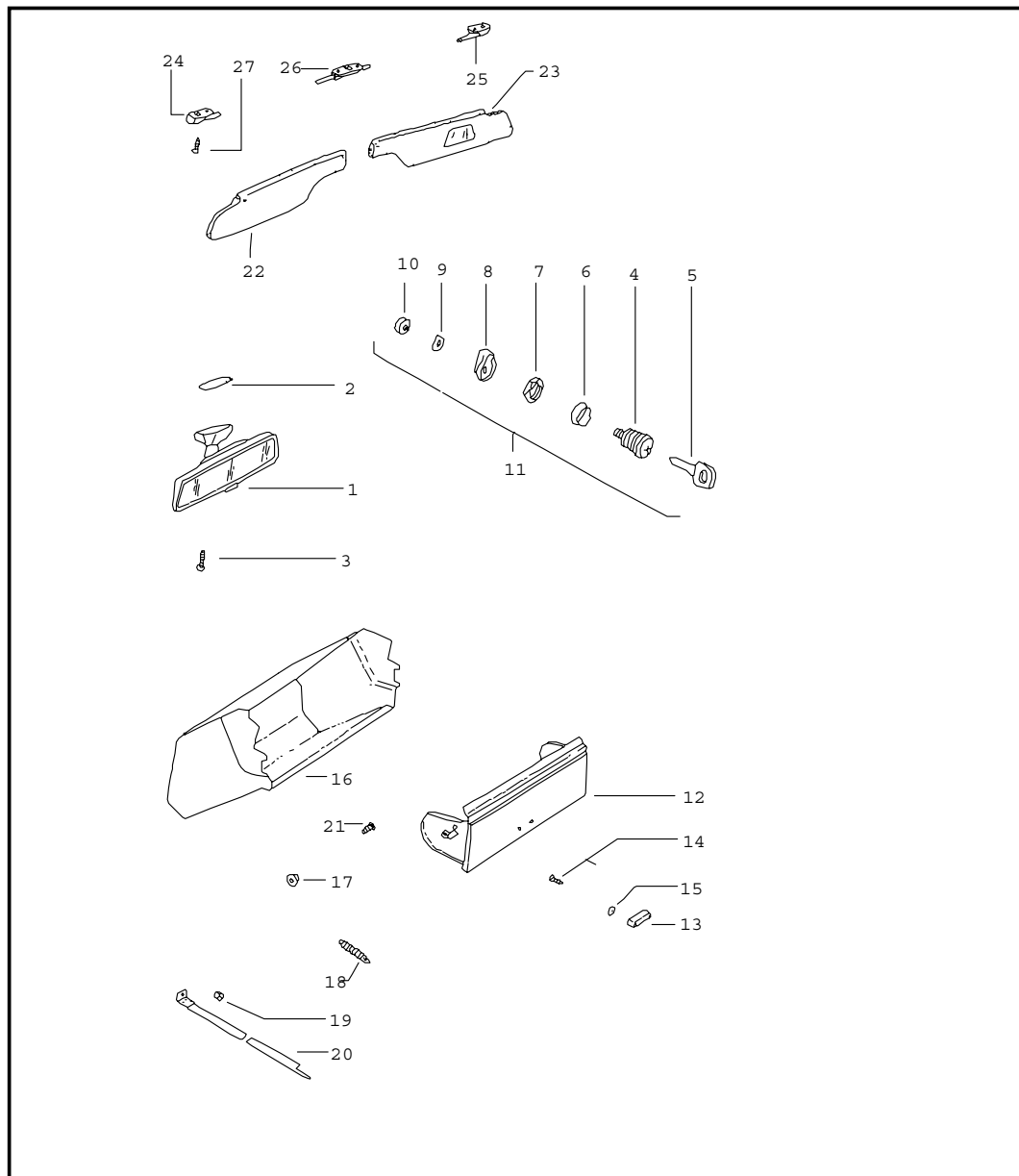


Pos	Part Number	Name	Remarks	Qty	Model
1	914 552 063 10	dashboard door mirror		1	914-6
(1)	914 552 035 10	cover	/L -71	1	914-4
2	914 552 111 11	cover	72-	1	
		F >>47529 00010 F 47529 00011>>			
2/1	914 552 025 12	covering for instruments		1	914-1,8V/2,0
2/2	914 552 089 12	cover glove box cover		1	914-1,8V/1,8 914-2,0
3	914 552 043 10	cover centre	/L -71	1	914-6
3	914 552 045 10	cover centre	/L -71	1	914-4
(4)	914 552 039 10	cover centre radio	/R -71	1	914-6
(4)	914 552 040 10	cover centre	/R	1	914-4/1,7 914-1,8/1,8V 914-2,0
		F >>47529 00010 F 47529 00011>>			
-	914 552 444 10	cover opening for radio		1	914-1,8V/1,8 914-2,0
(4)	914 552 040 10	cover centre radio	/R 72-	1	914-6
4	914 552 049 10	cover centre	/R	1	
5	914 552 093 10	cover	/R -71	1	914-6/4
6	914 552 241 10	covering	-71	2	914-6
7	914 731 039 10	door mirror	/L	1	
(7)	914 731 040 10	door mirror convex	/R M	1	
8	914 731 116 10	desk pad		1	
9	914 531 523 10	rais. counters. h. tap. s. AM 6 X 12 4,8 self-locking		2	
-	914 552 267 10	finger plate		1	

Model	Year	MG	SG	Illustration	Restrictions	Update	11:26	23.08.2006	PORSCHE	PET	PORSCHE
914	76	8	09	809-00		203					

Pos	Part Number	Name	Remarks	Qty	Model	Pos	Part Number	Name	Remarks	Qty	Model
10	914 552 021 10	bracket for instruments	-71	1	914-6	26	N 011 004 6	hexagon nut M 4		4	
(10)	914 552 022 10	bracket for instruments	-71	1	914-4	27	N 012 224 3	spring washer B 4		3	
(10)	914 552 022 11	bracket for instruments	72-	1		28	914 552 075 10	ashtray complete		1	
11	914 552 202 10	covering for instruments		1		29	900 143 063 02	oval-head sheetmetal screw B 3,9 X 9,5		2	
12	914 552 263 10	sealing frame		1		30	914 552 031 12	padding		1	
13	999 507 228 00	speed nut		6		31	N 015 429 2	speed nut		2	
14	999 704 122 50	rubber base		4		32	900 143 007 02	tapping screw B 4,2 X 13		2	
15	900 076 010 02	hexagon nut M 6		4		33	900 025 007 02	washer 8,4		9	
16	N 011 524 7	washer 6,4		4		33/1	900 076 026 40	plastic nut M 8		9	
17	999 591 355 02	speed nut		4		34	914 555 129 10	plug		2	
18	N 043 890 1	tapping screw B 4,2 X 9,5		4		35	900 145 058 02	rais. counters. h. tap. s. B 4,2 X 9,5	-71	4	914-6/4
19	900 075 057 02	hexagon-head bolt M 6 X 16		1		35	900 145 060 02	rais. counters. h. tap. s. B 4,2 X 13	72-	4	
20	900 151 006 09	washer B 6,4		1		36	900 143 066 02	oval-head sheetmetal screw B 4,2 X 9,5	-71	2	914-6/4
21	914 552 041 10	knee protection strip	-71	1	914-6/4	36	900 143 070 02	oval-head sheetmetal screw B 4,2 X 13	72-	2	
(21)	914 552 041 11	knee protection strip	72-	1	914-6/4	37	N 015 429 2	speed nut		6	
(21)	914 552 041 12	knee protection strip		1	914-1,7/1,8V 914-1,8/2,0			- - - E N D - - -			
22	N 014 140 5	oval-head screw AM 6 X 15		5							
23	900 151 006 09	washer B 6,4		5							
24	999 507 314 12	captive nut		5							
25	914 552 087 10	retaining bracket for ashtray		1							
26	N 011 004 6	hexagon nut M 4		3	914-6						

Model	Year	MG	SG	Illustration	Restrictions	Update	11:26	23.08.2006	PORSCHE	PET	PORSCHE
914	76	8	09	809-05		203					

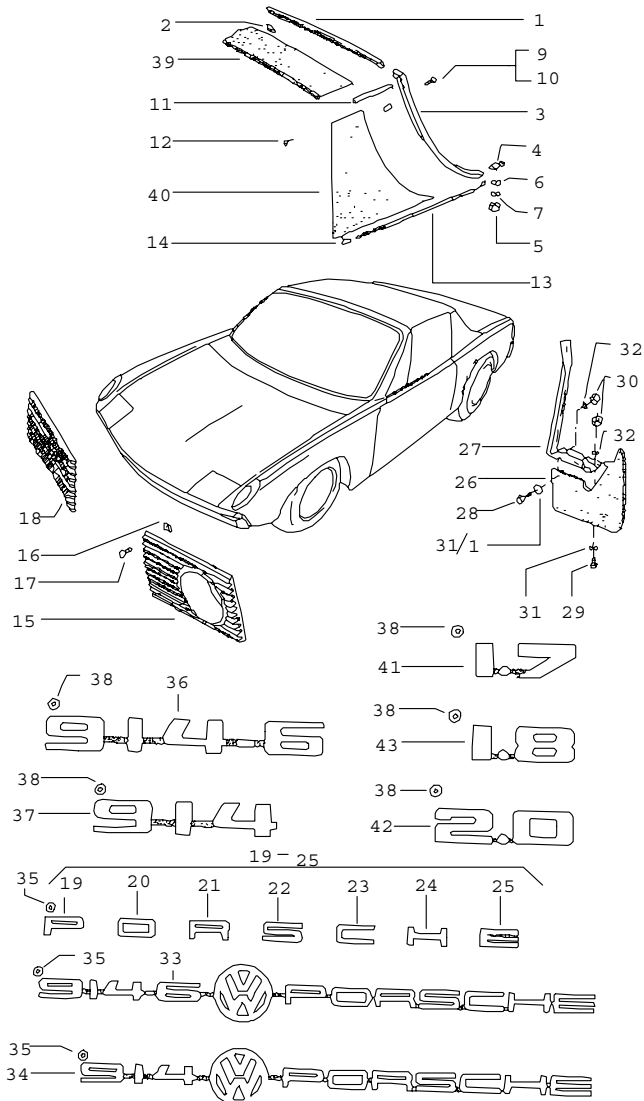


Pos	Part Number	Name	Remarks	Qty	Model
1	914 731 014 11	interior mirror glove compartment sun visor	-71	1	914-6/4
(1)	914 731 014 11	interior mirror inner	72-	1	
2	901 731 133 20	adhesive plate for mirror base		1	
(2)	914 731 025 10	repair kit for mount interior mirror	74-	1	
3	900 014 098 10	pan-head screw AM 2,6 X 15		1	
4	914 552 556 10	cylinder lock not available		1	
5	914 531 637 10	main key state lock number		2	
5	914 531 903 10	blank key for main key		2	
6	914 552 526 10	spacer sleeve		1	
7	914 552 557 10	hexagon nut		1	
8	901 552 552 21	latch		1	
9	914 552 559 10	spring washer		1	
10	914 552 558 10	slotted nut		1	
11	914 552 905 10	glove compartment lock with 2 main key w/o stipulated lock number		1	
11	914 552 906 10	glove compartment lock with 2 main key state lock number		1	
12	914 552 051 10	glove box cover with picture 13 - 15	-71	1	914-6/4

Model	Year	MG	SG	Illustration	Restrictions	Update	11:26	23.08.2006	PORSCHE	PET	PORSCHE
914	76	8	09	809-05		203					

Pos	Part Number	Name	Remarks	Qty	Model	Pos	Part Number	Name	Remarks	Qty	Model
12	914 552 051 11	glove box cover with picture 13 - 15	72-	1				- - - E N D - - -			
13	914 552 086 10	handle		1							
14	900 146 021 02	oval-head screw AM 3 X 8		2							
15	900 028 006 01	spring washer B 3		2							
16	914 552 501 10	glove compartment	-71	1	914-6/4						
16	914 552 501 11	glove compartment	72-	1							
17	914 552 253 10	spacer		2							
18	914 552 515 00	tension spring		2							
19	900 076 027 02	hexagon nut M 5		1							
-	N 012 225 2	spring washer B 5		1							
20	914 552 055 10	restraining strap		1							
21	900 072 001 02	oval-head screw M 6 X 12		2							
22	901 731 017 10	sun visor	/L	1	914-6/4						
22	914 731 043 12	sun visor	/L	1	914-1,7/1,8V 914-1,8/2,0						
23	901 731 018 10	sun visor	/R	1	914-6/4						
23	914 731 044 12	sun visor	/R	1	914-1,7/1,8V 914-1,8/2,0						
24	901 731 323 41	bearing	/L -70	1	914-6/4						
24	911 731 323 40	support	/L 71-	1							
25	901 731 324 41	bearing	/R -70	1	914-6/4						
25	911 731 324 40	support	/R 71-	1							
26	914 731 327 10	bearing bracket		1							
27	N 014 093 3	tapping screw B 4,2 X 13	-70	4	914-6/4						
27	N 014 095 1	counters. head tapp. screw B 4,2 X 19	71-	4							

Model	Year	MG	SG	Illustration	Restrictions	Update	11:26	23.08.2006	PORSCHE	PET	PORSCHE
914	76	8	10	810-00		203					



Pos	Part Number	Name	Remarks	Qty	Model
		decorative fittings			
1	914 559 103 10	moulding centre anodised		1	914-6
1	914 559 104 10	moulding centre prime coated		1	914-4/1,7 914-1,8/1,8V 914-2,0
(1)	914 559 103 10	moulding centre anodised	M M M	1	914-4/1,7 914-1,8/1,8V 914-2,0
2	914 559 223 10	moulding clip		3	
3	914 559 101 10	moulding anodised	/L	1	914-6
3	914 559 101 10	moulding anodised	/L M	1	
(3)	914 559 102 10	moulding anodised	/R	1	914-6
(3)	914 559 102 10	moulding anodised	/R M	1	
(3)	914 559 107 10	moulding prime coated	/L	1	914-4/1,7 914-1,8/1,8V 914-2,0
(3)	914 559 108 10	moulding prime coated	/R	1	914-4/1,7 914-1,8/1,8V 914-2,0
4	914 559 011 10	clamping screw		2	
5	900 076 004 01	hexagon nut M 5		2	
6	900 025 003 02	washer 5,3		2	
7	900 027 003 01	lock ring A 5		2	
8	914 559 225 10	spacer		2	
9	900 145 050 02	rais. counters. h. tap. s. B 2,9 X 19		2	914-6
9	900 145 050 02	rais. counters. h. tap. s. B 2,9 X 19	M M M	2	914-4/1,7 914-1,8/1,8V 914-2,0

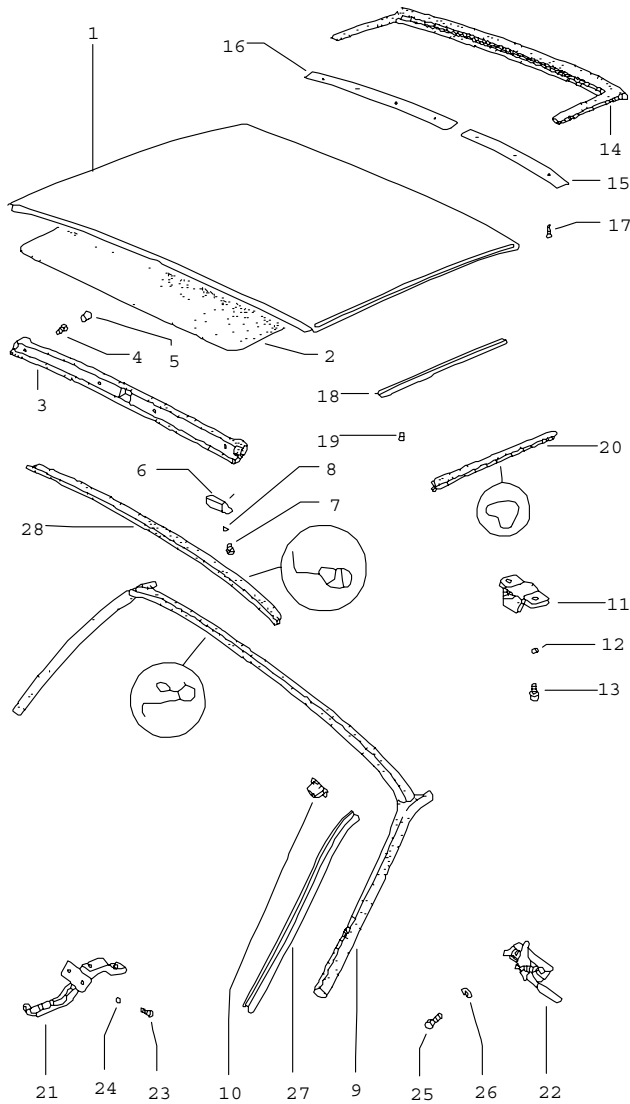
Model	Year	MG	SG	Illustration	Restrictions	Update	11:26	23.08.2006	PORSCHE	PET	PORSCHE
914	76	8	10	810-00		203					

Pos	Part Number	Name	Remarks	Qty	Model	Pos	Part Number	Name	Remarks	Qty	Model
10	900 145 050 00	rais. counters. h. tap. s. B 2,9 X 19		2	914-4/1,7 914-1,8/1,8V 914-2,0	9-25	901 559 902 00	porsche lettering chrome		1	914-1,7/1,8 914-1,8
-	914 559 121 10	adhesive tape 9 X 1,6 X25		2		26	914 559 309 10	mud flap		2	
11	914 559 017 10	covering plate	/L	1		27	914 559 303 10	holder	/L	1	914-6/4
(11)	914 559 018 10	covering plate	/R	1		(27)	914 559 311 10	holder	/L	1	914-1,7/1,8V 914-1,8/2,0
12	900 143 057 00	rais. counters. h. tap. s. B 2,9 X 9,5		4		(27)	914 559 304 10	holder	/R	1	914-6/4
13	914 559 109 10	moulding	/L	1	914-6	(27)	914 559 312 10	holder	/R	1	914-1,7/1,8V 914-1,8/2,0
13	914 559 109 10	moulding	/L M	1		28	N 010 264 4	hexagon-head bolt M 5 X 20		4	
(13)	914 559 110 10	moulding	/R	1	914-6	29	N 010 207 6	hexagon-head bolt M 5 X 12		6	
(13)	914 559 110 10	moulding	/R M	1		30	900 076 027 02	hexagon nut M 5		10	
14	999 591 326 02	moulding clip		8	914-6	31	N 011 524 7	washer 5,3		10	914-6/4
14	999 591 326 02	moulding clip	M	8		31	N 011 524 7	washer 5,3		6	914-1,7/1,8V 914-1,8/2,0
15	914 559 235 10	grille chrome for additional headlamp	/L -74 -74	1	914-6 914-1,7/1,8 914-1,8V/2,0	31	N 011 524 7	washer 5,3		4	914-1,7/1,8V 914-1,8/2,0
(15)	914 559 237 10	grille prime coated for additional headlamp	/L	1	914-4	31/1	900 151 027 02	washer B 5,3		10	
(15)	914 559 236 10	grille chrome for additional headlamp	/R -74 -74	1	914-6 914-1,7/1,8 914-1,8V/2,0	32	N 012 005 3	lock ring B 5		1	914-6
(15)	914 559 238 10	grille prime coated for additional headlamp	/R	1	914-4	34	914 559 111 10	logo - VW-PORSCHE- gold-coloured		1	914-4
16	N 900 488 01	speed nut B 3,5	-74	8		34	914 559 289 10	logo - VW-PORSCHE- black	-73	1	914-1,7/1,8V 914-1,8/2,0
17	900 143 033 02	oval-head sheetmetal screw B 3,5 X 13	-73	8		35	999 591 423 03	tapping nut		21	914-6/4
17	N 013 959 3	tapping screw B 3,5 X 16	74	8		35	999 591 423 03	tapping nut		14	914-1,7/1,8V 914-1,8/2,0
9-25	901 559 301 22	porsche lettering gold-coloured		1	914-6/4	35	999 591 423 03	tapping nut		7	914-1,7/1,8V 914-1,8/2,0
						36	914 559 114 10	logo 914-6		1	914-6

Model	Year	MG	SG	Illustration	Restrictions	Update	11:26	23.08.2006	PORSCHE	PET	PORSCHE
914	76	8	10	810-00		203					

Pos	Part Number	Name	Remarks	Qty	Model	Pos	Part Number	Name	Remarks	Qty	Model
37	914 559 113 10	logo 914 gold-coloured		1							
37	914 559 287 11	logo 914 black		1							
38	999 591 211 01	tapping nut		3	914-6						
38	999 591 211 01	tapping nut		2	914-4						
38	999 591 211 01	tapping nut		4	914-1,7/1,8V 914-1,8/2,0						
39	914 559 263 10	lining centre		1	914-6						
39	914 559 263 10	lining centre	M	1							
40	914 559 265 10	lining	/L	1	914-6						
40	914 559 265 10	lining	/L M	1							
(40)	914 559 266 10	lining	/R	1	914-6						
(40)	914 559 266 10	lining	/R M	1							
41	914 559 115 10	logo 1,7		1	914-1,7						
42	914 559 120 11	logo 2,0	-74	1	914-2,0						
43	914 559 459 10	logo 1,8	-74	1	914-1,8V/1,8						
-	914 559 293 10	logo 914-1,8 adhesive film	75-	1	914-1,8						
-	914 559 293 11	logo 914-2,0 adhesive film	75-	1	914-2,0						
		- - - E N D - - -									

Model	Year	MG	SG	Illustration	Restrictions	Update	11:26	23.08.2006	PORSCHE	PET	PORSCHE
914	76	8	11	811-00		203					

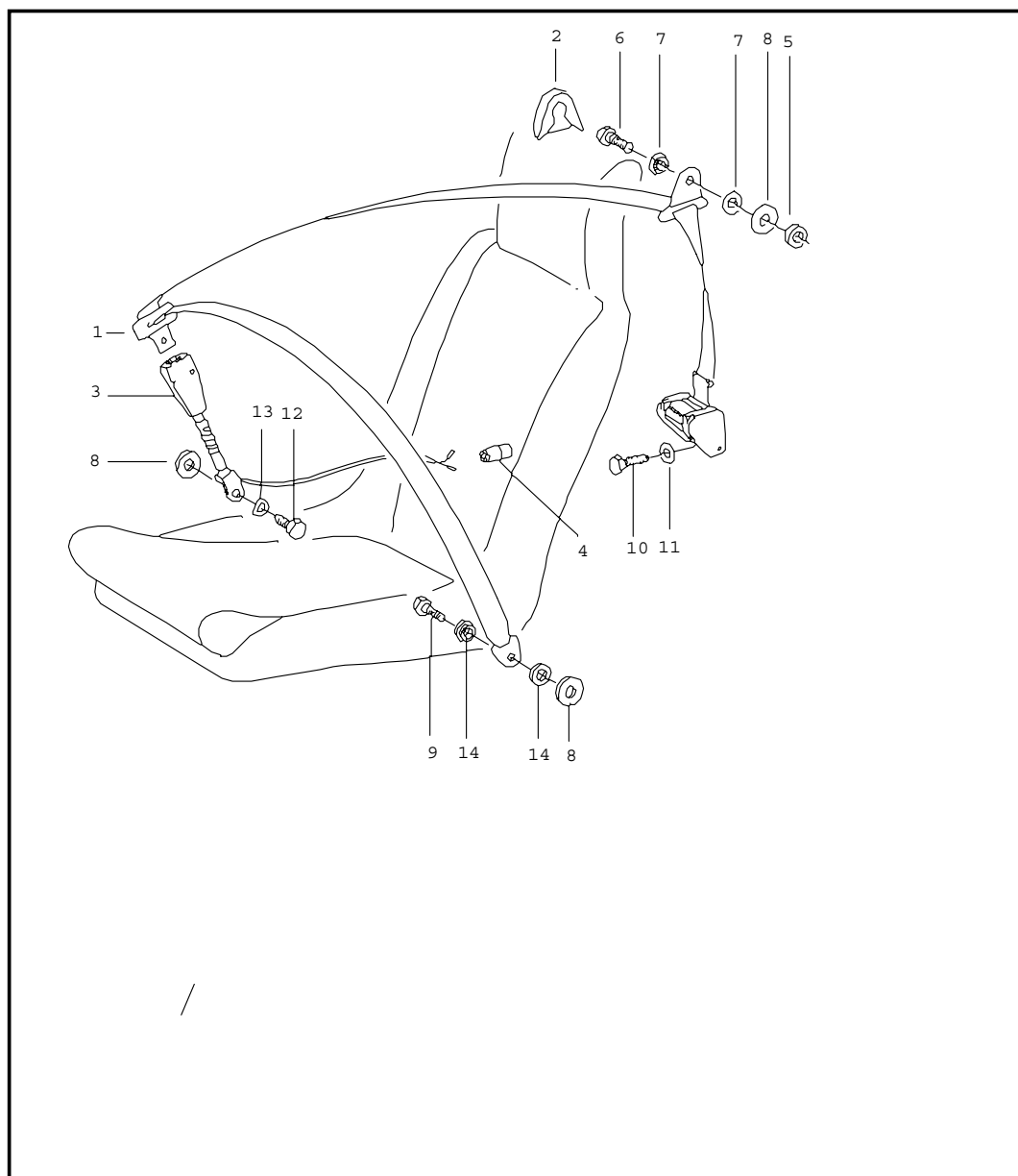


Pos	Part Number	Name	Remarks	Qty	Model
(1)	914 563 901 10	roof roof with picture 18 - 19 F ->>47329 26221	-73	1	914-6/4/1,7 914-2,0
(1)	914 563 901 11	roof with picture 18 - 19 F 47329 26222>>	73-	1	914-1,8V/1,8 914-2,0
2	914 563 321 11	rooflining inner F ->>47329 26221	-73	1	914-6/4/1,7 914-2,0
2	914 563 321 13	rooflining inner F 47329 26222>>	73-	1	914-1,8V/1,8 914-1,8
3	914 563 021 12	padding	/V	1	914-6/4
3	914 563 021 12	padding F ->>47329 26221	/V -73	1	914-1,7/1,8V 914-1,8/2,0
3	914 563 021 13	padding F 47329 26222>>	/V 73-	1	914-1,8V/1,8 914-2,0
4	N 013 957 5	tapping screw B 3,5 X 9,5		4	
5	999 703 077 40	cap		4	
5	914 552 233 10	filler piece		4	
6	914 563 812 00	centring wedge		1	
7	N 033 165 1	countersunk-head screw AM 4 X 8		2	
8	900 114 006 01	shake-proof washer A 4,3		2	
9	914 563 035 10	seal windscreen frame	/V -73	1	914-6/4/1,7 914-2,0
9	914 563 039 10	seal windscreen frame	/V 74-	1	914-1,8V/1,8 914-2,0
10	914 559 239 10	filler piece for ski rack		2	
11	914 563 033 10	silentbloc		2	914-6/4

Model	Year	MG	SG	Illustration	Restrictions	Update	11:26	23.08.2006	PORSCHE	PET	PORSCHE
914	76	8	11	811-00		203					

Pos	Part Number	Name	Remarks	Qty	Model	Pos	Part Number	Name	Remarks	Qty	Model
11	914 563 033 19	silentbloc		2	914-1,7/1,8V	20	914 531 185 10	gasket	/L 74-	1	914-1,8V/1,8 914-2,0 914-2,0
-	914 563 317 10	desk pad for silentbloc		X	914-1,8/2,0	(20)	914 531 186 10	gasket	/R 74- -	1	914-1,8V/1,8 914-2,0
12	N 042 121 3	shake-proof washer A 6,4		4		21	914 563 071 10	catch	/V	2	
13	900 186 006 01	pan-head screw M 6 X 12		4		22	914 563 081 11	catch	/H/L	1	
14	914 563 077 11	gasket for roll bar F >>47329 26221	/H -73 /H	1	914-6/4/1,7 914-2,0	(22)	914 563 082 11	catch	/H/R	1	
14	914 563 077 11	gasket for roll bar not available 914.563.077.10 use F 47329 26222>>	/H 73-	1	914-1,8V/1,8 914-2,0	23	900 148 012 02	rais. counters. h. tap. s. AM 5 X 15 F >>47329 26221	-73	4	914-6/4/1,7 914-2,0
15	914 563 127 10	attachment strip	/L	1		23	999 148 005 04	screw AM 5 X 12 F 47329 26222>>	73-	4	914-1,8V/1,8 914-2,0
-	914 563 203 10	attachment strip lateral F 47329 26222>>	/L 73-	1	914-1,8V/1,8 914-2,0	24	900 115 011 01	serrated lock washer V 5,3		4	
16	914 563 128 10	attachment strip	/R	1		25	900 075 010 02	hexagon-head bolt M 6 X 12		4	
-	914 563 204 10	attachment strip lateral F 47329 26222>>	/R 73-	1	914-1,8V/1,8 914-2,0	26	900 028 003 01	spring washer B 6		4	
17	N 013 958 7	tapping screw B 3,5 X 13 F >>47329 26221	-73	7	914-6/4/1,7 914-2,0	27	914 531 824 11	retaining strip	/L -73	1	914-6/4/1,7 914-2,0
17	N 013 957 5	tapping screw B 3,5 X 9,5 F 47329 26222>>	73-	13	914-1,8V/1,8 914-2,0	27	914 531 823 11	attachment strip	/L 74-	1	914-1,8V/1,8 914-2,0
18	914 531 865 10	attachment strip	/L	1		(27)	914 531 824 10	attachment strip	/R -73	1	914-6/4/1,7 914-2,0
(18)	914 531 866 10	attachment strip	/R	1		(27)	914 531 824 11	attachment strip	/R 74-	1	914-1,8V/1,8 914-2,0
19	N 013 953 2	tapping screw B 2,9 X 9,5		8		28	914 563 319 10	gasket lower		1	
19	N 013 954 2	oval-head sheetmetal screw B 2,9 X 13		2		-	999 703 087 40	cap mount ski rack rear		6	
-	900 151 019 02	washer B 3,2		2	914-2,0				- - - E N D - - -		

Model	Year	MG	SG	Illustration	Restrictions	Update	11:26	23.08.2006	PORSCHE	PET	PORSCHE
914	76	8	12	812-00		203					



Pos	Part Number	Name	Remarks	Qty	Model
		seat belt			
		seat belt with automatic	M		
1	914 803 455 11	three-point seat belt with automatic	/L 74-M	1	914-1,8V/1,8 914-2,0
(1)	914 803 456 11	three-point seat belt with automatic	/R 74-M	1	914-1,8V/1,8 914-2,0
2	111 857 719 G	cap	74-M	2	914-1,8V/1,8 914-2,0
(3)	914 803 183 12	seat belt buckle with push button	74-M	2	914-1,8V/1,8 914-2,0
5	914 803 137 10	spacer tube	M	2	914-1,8V/1,8 914-2,0
6	111 857 793 E	fastening screw	M	2	914-1,8V/1,8 914-2,0
(7)	211 857 771	washer	M	4	914-1,8V/1,8 914-2,0
8	111 857 707 A	spacer	M	6	914-1,8V/1,8 914-2,0
9	111 857 793 E	fastening screw	M	2	914-1,8V/1,8 914-2,0
10	111 857 799	screw	M	2	914-1,8V/1,8 914-2,0
11	999 523 109 02	lock washer	M	2	914-1,8V/1,8 914-2,0
12	914 803 468 10	screw	M	2	914-1,8V/1,8 914-2,0
13	900 028 026 01	spring washer B 14	M	2	914-1,8V/1,8 914-2,0
(14)	211 857 771	washer	M	4	914-1,8V/1,8 914-2,0
		seat belt without automatic			
-	914 803 215 10	three-point seat belt	74-	2	914-1,8V/1,8 914-2,0

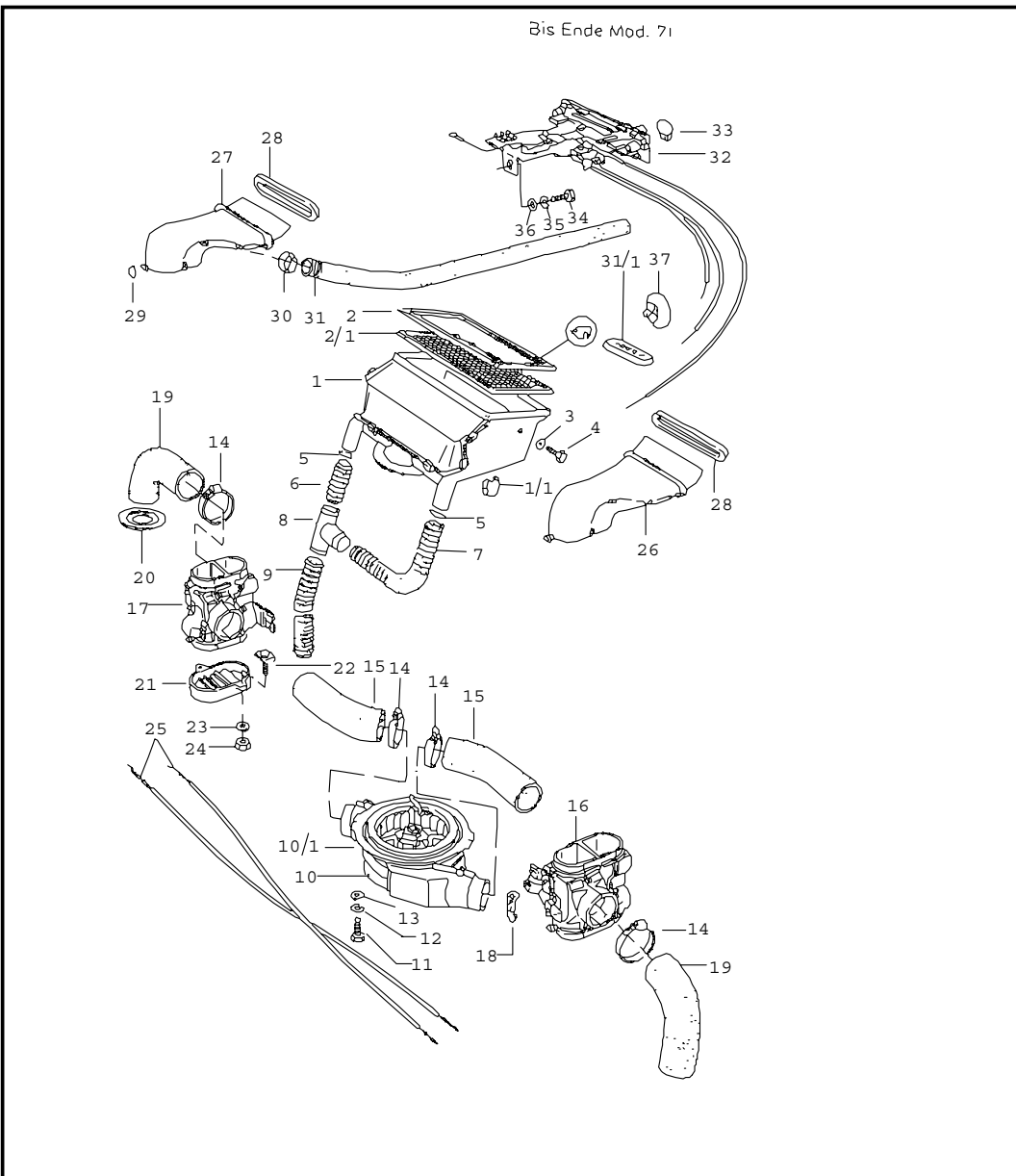
Model	Year	MG	SG	Illustration	Restrictions	Update	11:26	23.08.2006	PORSCHE	PET	PORSCHE
914	76	8	12	812-00		203					

Pos	Part Number	Name	Remarks	Qty	Model	Pos	Part Number	Name	Remarks	Qty	Model
-	914 803 183 12	seat belt buckle with push button	74-	2	914-1,8V/1,8 914-2,0	-	914 803 135 10	belt with plate	-73	1	914-6/4/1,7
		mount for belt for roll bar				-	914 803 137 10	spacer tube	-73	1	914-6/4/1,7
-	914 803 137 10	spacer tube		2	914-1,8V/1,8 914-2,0	-	901 803 119 21	fastening screw roll bar		1	914-6/4/1,7
-	111 857 707 A	spacer		2	914-1,8V/1,8 914-2,0	-	111 857 771 A	washer		6	914-6/4/1,7
-	211 857 771	washer	74-	4	914-1,8V/1,8 914-2,0	-	111 857 707 A	spacer		3	914-6/4/1,7
-	111 857 793 E	fastening screw	74-	2	914-1,8V/1,8 914-2,0	-	111 857 719 C	cap		1	914-6/4/1,7
-	914 803 007 10	cap	74-	2	914-1,8V/1,8 914-2,0	-	901 803 119 22	fastening screw side member		1	914-6/4/1,7
		mount for belt AM side member				-	914 803 141 10	holder		1	914-6/4/1,7
-	111 857 707 A	spacer		2	914-1,8V/1,8 914-2,0	-	900 145 002 02	rais. counters. h. tap. s. B 2,9 X 9,5		4	914-6/4/1,7
-	211 857 771	washer	74-	4	914-1,8V/1,8 914-2,0	-	901 803 119 20	fastening screw tunnel		1	914-6/4/1,7
-	111 857 793 E	fastening screw	74-	2	914-1,8V/1,8 914-2,0	-	911 803 046 00	belt with lock	/R -73	1	914-6/4/1,7
		mount for seat belt buckle AM tunnel				-	914 803 135 10	belt with plate	-73	1	914-6/4/1,7
-	111 857 707 A	spacer		2	914-1,8V/1,8 914-2,0	-	914 803 137 10	spacer tube	-73	1	914-6/4/1,7
-	900 028 026 01	spring washer B 14		2	914-1,8V/1,8 914-2,0	-	901 803 119 21	fastening screw roll bar		1	914-6/4/1,7
-	914 803 468 10	screw	74-	2	914-1,8V/1,8 914-2,0	-	111 857 771 A	washer		6	914-6/4/1,7
-	911 803 045 00	belt with lock	/L -73	1	914-6/4/1,7	-	111 857 707 A	spacer		3	914-6/4/1,7
						-	111 857 719 C	cap		1	914-6/4/1,7
						-	901 803 119 22	fastening screw side member		1	914-6/4/1,7
						-	914 803 141 10	holder		1	914-6/4/1,7
						-	900 145 002 02	rais. counters. h. tap. s. B 2,9 X 9,5		4	914-6/4/1,7
						-	901 803 119 20	fastening screw tunnel		1	914-6/4/1,7

Model	Year	MG	SG	Illustration	Restrictions	Update	11:26	23.08.2006	PORSCHE	PET	PORSCHE
914	76	8	12	812-00		203					

Pos	Part Number	Name	Remarks	Qty	Model	Pos	Part Number	Name	Remarks	Qty	Model
>>>	914 803 021 10	seat belt seat centre lap belt not for (CH) comprising:	M	1		-	914 803 146 10	belt with lock	/R -73	1	914-6/4/1,7
-	914 803 109 10	belt with lock		1		-	914 803 147 10	belt with plate	-73	1	914-6/4/1,7
-	914 803 110 10	belt with plate		1		-	914 803 137 10	spacer tube	-73	1	914-6/4/1,7
-	111 857 799 A	fastening screw		2		-	901 803 119 21	fastening screw roll bar		1	914-6/4/1,7
-	111 857 707 A	spacer		2		-	111 857 771 A	washer		6	914-6/4/1,7
-	900 028 014 02	spring washer B 12		2		-	111 857 707 A	spacer		3	914-6/4/1,7
>>>	914 803 031 10	three-point seat belt comprising:	/L -73 M	1	914-6/4/1,7 (CH)	-	111 857 719 C	cap		1	914-6/4/1,7
-	914 803 145 10	belt with lock	-73	1	914-6/4/1,7	-	901 803 119 22	fastening screw side member		1	914-6/4/1,7
-	914 803 147 10	belt with plate	-73	1	914-6/4/1,7	-	914 803 141 10	holder		1	914-6/4/1,7
-	914 803 137 10	spacer tube	-73	1	914-6/4/1,7	-	900 145 002 02	rais. counters. h. tap. s. B 2,9 X 9,5		4	914-6/4/1,7
-	901 803 119 21	fastening screw roll bar		1	914-6/4/1,7	-	901 803 119 20	fastening screw tunnel		1	914-6/4/1,7
-	111 857 771 A	washer		6	914-6/4/1,7	- - - E N D - - -					
-	111 857 707 A	spacer		3	914-6/4/1,7						
-	111 857 719 C	cap		1	914-6/4/1,7						
-	901 803 119 22	fastening screw side member		1	914-6/4/1,7						
-	914 803 141 10	holder		1	914-6/4/1,7						
-	900 145 002 02	rais. counters. h. tap. s. B 2,9 X 9,5		4	914-6/4/1,7						
-	901 803 119 20	fastening screw tunnel		1	914-6/4/1,7						
>>>	914 803 032 10	three-point seat belt comprising:	/R -73 M	1	914-6/4/1,7 (CH)						

Model	Year	MG	SG	Illustration	Restrictions	Update	11:27	23.08.2006	PORSCHE	PET	PORSCHE
914	76	8	13	813-00		203					



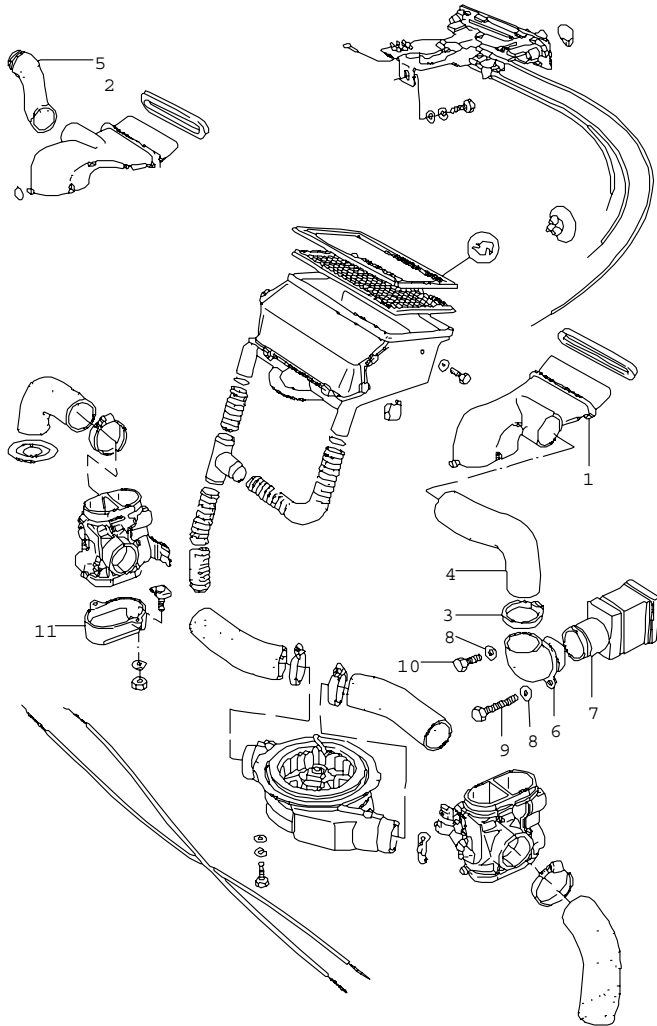
Pos	Part Number	Name	Remarks	Qty	Model
		ventilation heating			
		differing parts see group 8/13/05	72-		
1	914 571 907 00	fresh air inlet box		6	
1/1	914 571 905 10	tensioning spring		6	
(2)	914 571 904 10	sealing frame F >>47329 24928	-73	1	
2	914 571 129 10	sealing frame F 47329 24929>>	73-	1	914-1,7/1,8V 914-1,8/2,0
2/1	914 571 131 10	grille F 47329 24929>>	73-	1	914-1,7/1,8V 914-1,8/2,0
3	900 151 006 09	washer B 6,4		2	
4	900 378 030 09	hexagon-head bolt M 6 X 20		2	
5	999 512 165 02	hose clamp		2	
-	PCG 571 900 00	water drain hose		*	
6	-	75 MM		1	
7	PCG 571 900 00	water drain hose		1	
8	914 571 153 10	t-piece water drain hose		1	
-	PCG 571 900 00	water drain hose		*	
9	-	400 MM			
10	911 571 018 00	blower with engine and fan		1	
10/1	901 571 922 00	sealing ring fan housing engine		1	
-	911 571 320 32	blower motor with fan		1	
11	N 010 205 6	hexagon-head bolt M 5 X 10		2	

Model	Year	MG	SG	Illustration	Restrictions	Update	11:27	23.08.2006	PORSCHE	PET	PORSCHE
914	76	8	13	813-00		203					

Pos	Part Number	Name	Remarks	Qty	Model	Pos	Part Number	Name	Remarks	Qty	Model
12	900 027 003 01	lock ring B 5		4		33	901 571 918 00	knob red		1	
13	900 025 003 02	washer 5,3		2		-	900 631 129 90	bulb 12 V 1,2 W for picture 32		1	
14	999 512 349 02	hose clamp	-73	8							
14	999 512 349 02	hose clamp	74-	4	914-1,8V/1,8 914-2,0	34	900 378 030 09	hexagon-head bolt M 6 X 20		1	
15	914 571 123 10	connecting hose		2		35	900 028 008 01	spring washer B 6		1	
16	914 571 149 10	control box	/L	1							
17	914 571 150 10	control box	/R	1		36	N 011 524 7	washer 6,4		1	
18	901 571 919 00	terminal		7		37	914 571 151 10	rubber sleeve for bowden cable		1	
19	914 572 123 10	air hose		2							
20	914 572 913 10	sealing ring		2		-	914 571 115 10	bowden cable for blower		1	
21	914 571 348 10	air distributor	-71	2	914-6/4						
22	914 571 113 10	retaining clip		4							
23	900 025 003 02	washer 5,3		4		-	914 571 116 10	bowden cable cold air		1	
24	900 076 004 02	hexagon nut M 5		4		-	914 571 117 10	bowden cable hot air		1	
25	914 571 118 10	bowden cable		2				- - - E N D - - -			
26	914 572 045 10	defroster vent	/L -71	1	914-6/4						
27	914 572 046 10	defroster vent	/R -71	1	914-6/4						
28	914 572 157 10	sealing ring for defroster vent		2							
29	999 512 162 02	clamping spring		4							
30	999 512 356 02	hose clamp	-71	2	914-6/4						
31	914 572 127 10	heater hose	-71	1	914-6/4						
31/1	914 572 189 10	cover for defroster vent centre	-71	1	914-4						
32	914 613 111 10	switch		1							
33	901 571 917 00	knob black		2							

Model	Year	MG	SG	Illustration	Restrictions	Update	11:27	23.08.2006	PORSCHE	PET	PORSCHE
914	76	8	13	813-05		203					

As Mod. 72



Pos	Part Number	Name	Remarks	Qty	Model
		ventilation heating	72-		
		differing parts see group 9/13/00			
1	914 572 045 11	defroster vent	/L	1	
2	914 572 046 11	defroster vent	/R	1	
3	999 512 348 02	hose clamp	-73	4	
3	999 512 348 02	hose clamp	74-	2	914-1,8V/1,8 914-2,0
4	914 572 109 10	hose		1	
5	914 572 110 10	hose		1	
6	914 572 265 10	intermediate piece		2	
7	914 572 039 11	nozzle		2	
8	N 011 524 7	washer 6,4		4	
9	N 010 220 3	hexagon-head bolt M 6 X 30		2	
10	900 075 010 02	hexagon-head bolt M 6 X 12		2	
11	914 571 349 10	air distributor		2	
		- - - E N D - - -			

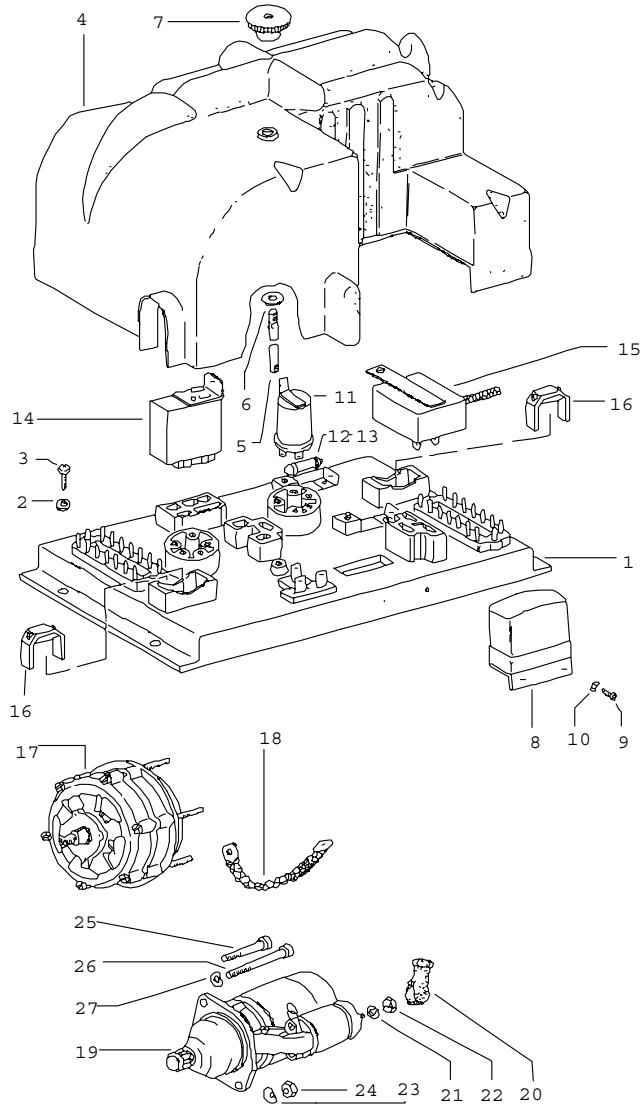
Model	Year	MG	SG	Illustration	Restrictions	Update	11:27	23.08.2006
914	76	8	98	898-00		203		

Pos	Part Number	Name	Remarks	Qty	Model
		number plate mount			
		mount			(RDW)
>>	> 911 701 201 00	support for number plate sticker	/V	1	
-	803 955 637	rubber washer		2	
-	999 591 354 02	prestole cage		2	
-	N 011 524 7	washer 6,4		2	
-	900 187 023 02	hexagon-head tapping screw B 5,5 X 16		2	
-	900 025 003 02	washer 5,3		2	
-	999 507 320 02	klips nut lock		2	
-	900 146 003 02	oval-head screw AM 5 X 10		2	
		mount			(I)
>>	> 914 701 119 10	support for number plate sticker	-74	1	/H
-	N 013 968 7	tapping screw B 4,8 X 13	-74	2	
-	900 025 003 02	washer 5,3	-74	2	
-	999 591 530 40	expansion rivet	-74	2	
>>	> 914 701 103 10	support for number plate sticker	/V 75-	1	914-1,8V/2,0
-	N 043 883 1	counters. head tapp. screw B 5,5 X 22	75-	2	914-1,8V/2,0
-	N 011 524 7	washer A 6,4	75-	2	914-1,8V/2,0
-	900 146 003 02	oval-head screw AM 5 X 10	75-	2	914-1,8V/2,0
-	900 025 003 02	washer 5,3	75-	2	914-1,8V/2,0
-	803 955 637	rubber washer	75-	2	914-1,8V/2,0

Model	Year	MG	SG	Illustration	Restrictions	Update	11:27	23.08.2006
914	76	8	98	898-00		203		

Pos	Part Number	Name	Remarks	Qty	Model
-	999 507 320 02	klips nut lock	75-	2	914-1,8V/2,0
-	N 013 888 2	hexagon-head bolt B 5,5 X 19	/H 75-	2	914-1,8V/2,0
-	N 011 524 7	washer A 6,4	/H 75-	2	914-1,8V/2,0
-	900 151 006 09	washer B 6,4	/H 75-	2	914-1,8V/2,0
		mount			(ZOLL)
>>	> 914 701 102 10	support for number plate sticker	/V	1	
-	901 723 523 20	desk pad		2	
-	914 722 012 10	support for spare wheel 5 1/2 J X 15		1	
-	914 722 012 10	support for spare wheel 5 1/2 J X 15	M	1	914-4
-	914 722 011 10	support for spare wheel 4 1/2 J X 15		1	914-4
-	914 722 011 10	support for spare wheel 4 1/2 J X 15	M	1	914-1,7/2,0
		- - - E N D - - -			

Model	Year	MG	SG	Illustration	Restrictions	Update	11:27	23.08.2006	PORSCHE	PET	PORSCHE
914	76	9	01	901-00		203					

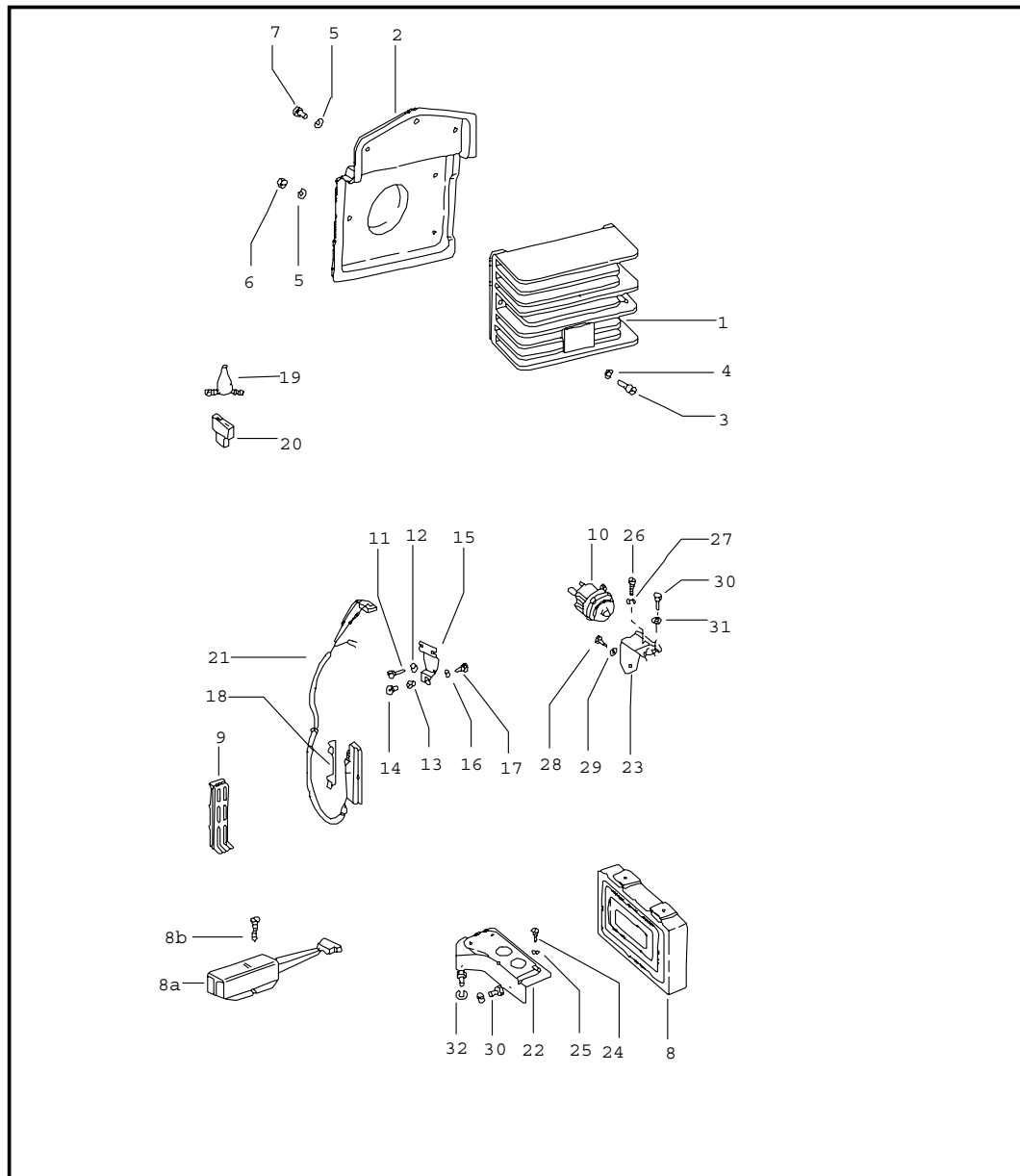


Pos	Part Number	Name	Remarks	Qty	Model
		regulator generator starter			
1	914 610 103 00	plate for regulator		1	914-6
(1)	914 610 104 00	plate for regulator		1	914
2	900 025 003 02	washer 5,3		2	
3	N 013 968 7	tapping screw B 4,8 X 13		2	
4	914 610 111 13	cap		1	
-	999 701 445 40	round seal for cap 914.610.111.13		1	
5	914 610 106 10	stud F	>>47529 00924	1	
6	900 025 003 02	washer 5,3 F	>>47529 00924	1	
7	900 241 011 02	knurled nut M 5 F	>>47529 00924	1	914
8	901 603 206 02	regulator	-71	1	914-6
(8)	043 903 803 B	regulator switch	72-	1	914-6
(8)	043 903 803 B	regulator switch		1	914
9	N 013 956 7	tapping screw BZ 3,5 X 6,5		2	
10	N 011 663 1	washer B 3,7		2	
11	901 602 601 00	switch unit BHKZ		1	914-6
12	N 017 121 4	safety fuse 16 AMP.		2	914-6
13	N 017 121 5	safety fuse 25 AMP. not for TYP 914-6		1	

Model	Year	MG	SG	Illustration	Restrictions	Update	11:27	23.08.2006	PORSCHE	PET	PORSCHE
914	76	9	01	901-00		203					

Pos	Part Number	Name	Remarks	Qty	Model	Pos	Part Number	Name	Remarks	Qty	Model
14	901 615 113 00	relay for exhaust gas		1	914-6	25	900 067 074 02	pan-head screw M 10 X 110		1	914-6
15	911 619 001 00	suppression set for - bosch - regulator		1	914-6	(25)	N 010 500 3	hexagon-head bolt M 10 X 115 not for TYP 914-6		1	
16	914 610 107 00	clip		2		26	900 067 078 02	pan-head screw M 10 X 150		1	SPM
17	911 603 118 00	generator complete 770 W see group 1/05/00		1	914-6	27	901 604 581 00	spring washer		1	914-6
(17)	022 903 023	generator complete 12 V 50 A single parts see group 9/02/05 not for TYP 914-6		1		(29)	039 911 023	starter		1	914-2,0
18	901 612 110 00	ground strap housing engine generator		1		30	999 659 006 50	protection cap		1	
19	923 604 101 00	starter		1	914-6	31	900 027 015 02	lock ring B 8		1	
(19)	003 911 023 B	starter		1	914-4/1,7 914-1,8V/1,8	32	N 011 132 2	hexagon nut M 8		1	
-	003 911 023 BX	starter exchange		1	914-4/1,7 914-1,8/1,8V	33	N 012 242 3	spring washer B 10 X 18		1	
(19)	039 911 023	starter		1	914-2,0	34	900 157 002 02	hexagon nut M 10		1	
-	039 911 023	starter exchange		1	914-2,0	35	900 067 074 02	pan-head screw M 10 X 110		1	914-6
20	999 659 006 50	protection cap		1		(35)	N 010 500 3	hexagon-head bolt M 10 X 115 not for TYP 914-6		1	
21	900 027 015 02	lock ring B 8		1		36	900 067 078 02	pan-head screw M 10 X 150		1	SPM
22	N 011 132 2	hexagon nut M 8		1		37	901 604 581 00	spring washer		1	914-6
23	N 012 242 3	spring washer B 10 X 18		1				- - - E N D - - -			
24	900 157 002 02	hexagon nut M 10		1							

Model	Year	MG	SG	Illustration	Restrictions	Update	11:28	23.08.2006	PORSCHE	PET	PORSCHE
914	76	9	01	901-05		203					



Pos	Part Number	Name	Remarks	Qty	Model
		electrical equipment engine			
		BHKZ			
1	901 602 702 X	switch unit BHKZ exchange		1	914-6
2	914 602 011 00	bracket BKHZ		1	914-6
3	900 014 007 02	pan-head screw AM 6 X 10		3	914-6
4	N 011 524 7	washer 6,4		3	914-6
5	900 027 014 01	lock ring B 6		6	914-6
6	900 076 010 02	hexagon nut M 6		3	914-6
7	N 014 703 2	pan-head screw M 6 X 18		3	914-6
(8)	022 906 021 A	control unit M	>> W0 129 581	1	914-4
-	022 906 021 AX	control unit M	>> W0 129 581	1	914-4
8	022 906 021 E	control unit		1	914-4/1,7 914-2,0
		M W0 129 582 >>			
		M >> W0 250 000			
		M >>GB0 007 401			
(8)	039 906 021	control unit M GB0 007 402>>		1	914-2,0
9	311 906 025	slide for control unit		1	914-4/1,7 914-2,0
10	039 906 051	pressure sensor		1	914-2,0
(10)	022 906 051 E	pressure sensor M	>> W0 129 581	1	914-4
(10)	022 906 051 E	pressure sensor		1	914-4/1,7
11	N 014 138 7	oval-head screw AM 6 X 10		2	914-4/1,7 914-2,0
12	N 012 226 5	spring washer B 6		2	914-4/1,7 914-2,0

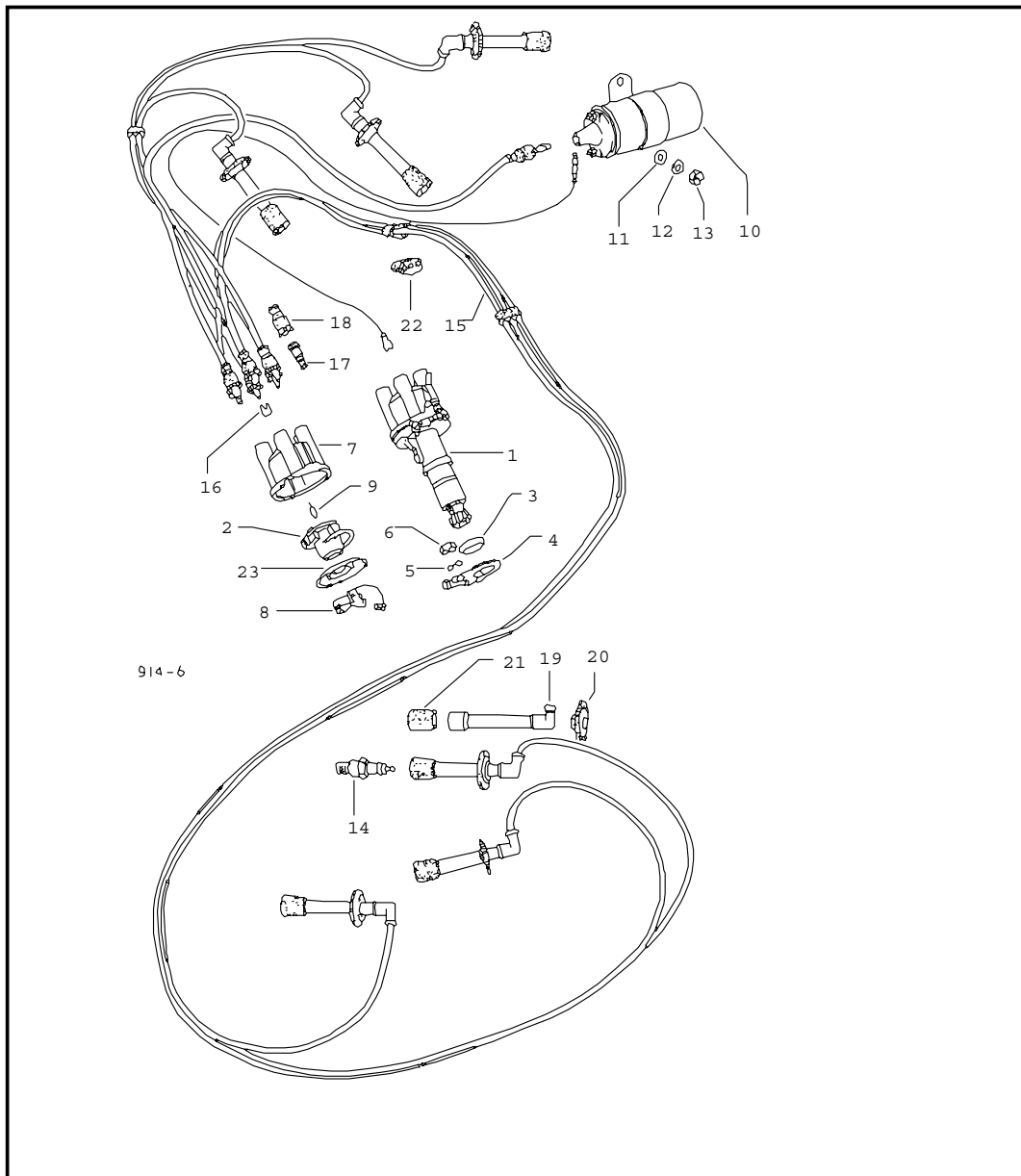
Model	Year	MG	SG	Illustration	Restrictions	Update	11:28	23.08.2006	PORSCHE	PET	PORSCHE
914	76	9	01	901-05		203					

Pos	Part Number	Name	Remarks	Qty	Model	Pos	Part Number	Name	Remarks	Qty	Model
13	113 957 855	rubber sleeve for spacer sleeve		3	914-4/1,7 914-2,0	20	311 906 231 A	connector housing 2-pole		6	914-4/1,7 914-2,0
14	311 906 057	spacer sleeve for pressure sensor		3	914-4/1,7 914-2,0	(20)	311 906 231 B	connector housing 3-pole		1	914-4/1,7 914-2,0
15	022 906 200	bracket for pressure sensor		1	914-4/1,7 914-2,0	(20)	311 906 231 C	connector housing 4-pole		2	914-4/1,7 914-2,0
16	N 011 524 7	washer A 6,4		2	914-4/1,7 914-2,0	21	022 971 819	harness for control unit		1	914-4/1,7
(16)	N 012 226 5	spring washer B 6		1	914-4/1,7 914-2,0	(21)	022 971 761 F	harness for control unit	72-	1	914-4/1,7
(16)	N 011 692 3	washer 5,1		2	914-4/1,7 914-2,0	(21)	039 971 761 B	harness for control unit M GB0 000 001>>		1	914-2,0
17	N 013 948 1	oval-head sheetmetal screw B 5,5 X 25		2	914-4/1,7 914-2,0	-	111 971 911 A	rubber sleeve		1	914-1,8V/1,8
(17)	N 010 719 2	pan-head screw M 6 X 20		1	914-4/1,7 914-2,0	-	803 905 897	connector housing for harness		1	914-4/1,7
18	022 906 209	handle for connector control unit		1	914-4/1,7 914-1,8/2,0	22	914 618 013 10	retaining bracket for control unit		1	
-	473 906 075	protection cap for potentiometer idle-speed adjuster		1	914-4/1,7 914-1,8/2,0	23	914 618 119 10	retaining bracket		1	914-2,0
19	311 906 102 A	protection cap for connector housing 2-pole		6	914-4/1,7 914-1,8/2,0	(23)	914 618 113 10	retaining bracket		1	914-4/1,7
(19)	311 906 102 B	protection cap for connector housing 3-pole		1	914-4/1,7 914-2,0	24	914 618 114 10	oval-head screw		1	914-4/1,7 914-2,0
(19)	311 906 102 C	protection cap for connector housing 4-pole		2	914-4/1,7 914-2,0	25	900 028 030 01	spring washer A 7		1	914-4/1,7 914-2,0
(19)	311 906 102 E	protection cap for connector housing 5-pole		2	914-4/1,7 914-2,0	26	900 014 054 02	pan-head screw M 5 X 6		1	914-4/1,7 914-2,0
						27	N 012 005 3	lock ring B 5		1	914-4/1,7 914-2,0
						28	900 138 030 02	tapping screw BZ 3,9 X 6,5		1	914-4/1,7 914-2,0
						29	900 151 001 02	washer A 4,3		1	914-4/1,7 914-2,0

Model	Year	MG	SG	Illustration	Restrictions	Update	11:28	23.08.2006	PORSCHE	PET	PORSCHE
914	76	9	01	901-05		203					

Pos	Part Number	Name	Remarks	Qty	Model	Pos	Part Number	Name	Remarks	Qty	Model
30	N 010 210 13	hexagon-head bolt M 6 X 10		4	914-4/1,7 914-2,0						
31	N 011 524 7	washer A 6,4		2	914-4/1,7 914-2,0						
32	900 027 014 01	lock ring B 6		2	914-4/1,7 914-2,0						
- - - E N D - - -											

Model	Year	MG	SG	Illustration	Restrictions	Update	11:28	23.08.2006	PORSCHE	PET	PORSCHE
914	76	9	01	901-10		203					

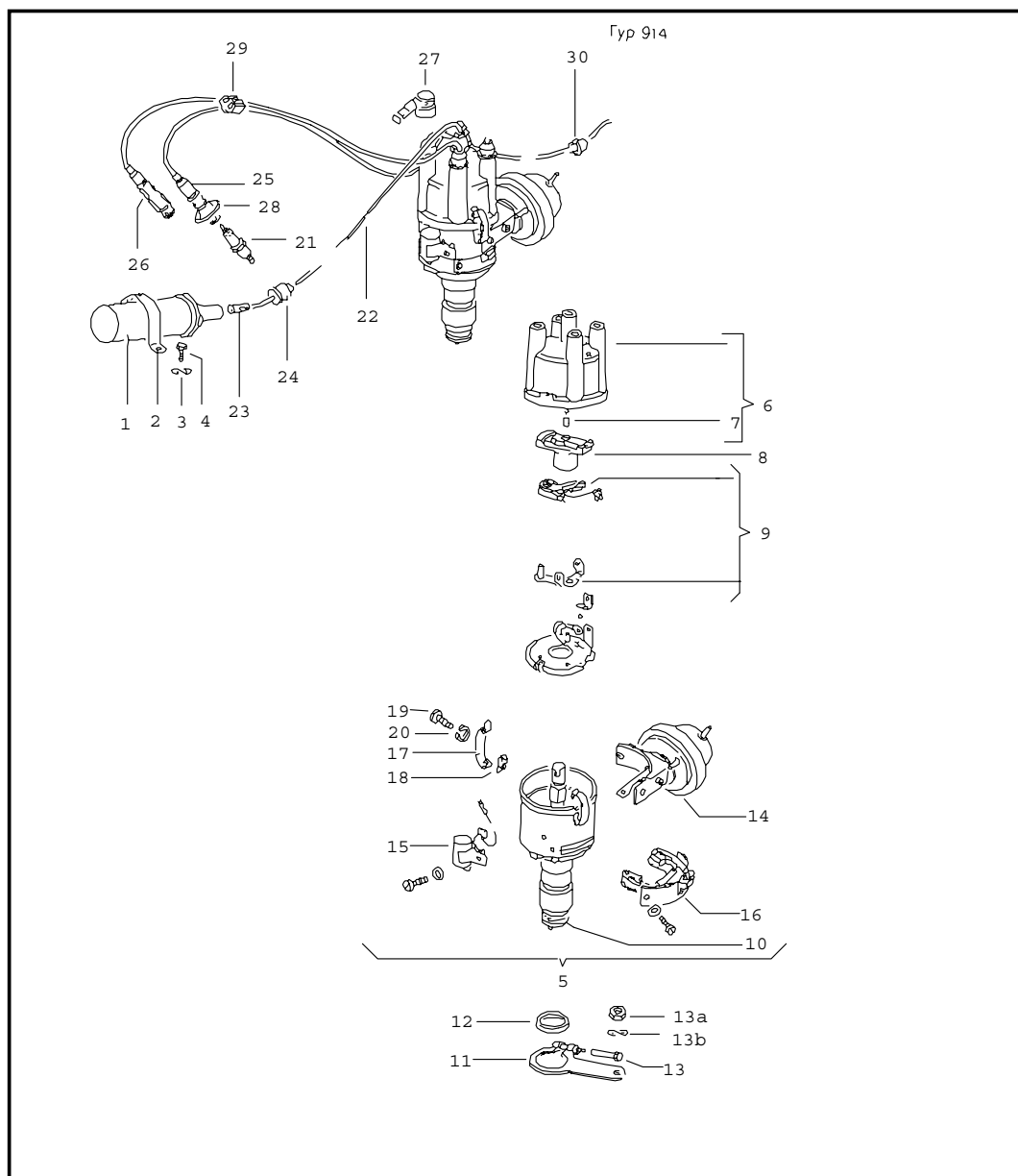


Pos	Part Number	Name	Remarks	Qty	Model
		engine electric. equipment			914-6
1	901 602 021 05	distributor - bosch -		1	
(1)	911 602 022 00	distributor		1	
(1)	911 602 022 X	distributor - MARELLI -		1	
2	911 602 928 00	rotor - bosch - with speed disconnection		1	
(2)	901 602 928 01	rotor - MARELLI - with speed disconnection		1	
3	999 701 101 50	sealing ring		1	
4	999 511 046 02	clamping bow		1	
5	N 012 241 1	spring washer B 8 X 15		1	
6	900 076 025 02	hexagon nut M 8		1	
7	911 602 933 00	distributor cap - bosch -		1	
(7)	901 602 953 00	distributor cap - MARELLI -		1	
8	616 602 226 02	contact breaker point - bosch -		1	
(8)	911 602 960 00	contact breaker point - MARELLI -		1	
9	930 602 905 00	wiper contact - bosch -		1	
(9)	901 602 952 00	contact pin - MARELLI -		1	
10	901 602 502 00	ignition transformer for BHKZ		1	
11	900 025 007 02	washer 8,4		2	
12	N 012 241 1	spring washer B 8 X 15		2	

Model	Year	MG	SG	Illustration	Restrictions	Update	11:28	23.08.2006	PORSCHE	PET	PORSCHE
914	76	9	01	901-10		203					

Pos	Part Number	Name	Remarks	Qty	Model	Pos	Part Number	Name	Remarks	Qty	Model
13	900 076 025 02	hexagon nut M 8		2							
14	999 170 010 91	spark plug - bosch -		6							
(14)	999 170 165 90	spark plug - bosch -	WW	6							
15	911 609 061 00	set ignition cables without spark plug socket		X							
-	900 612 001 00	ignition lead high voltage black		*							
16	911 609 510 00	cable plug		8							
17	999 619 121 00	suppressor cap - beru -		7							
-	999 619 121 00	suppressor cap - bosch -		7							
18	999 659 001 40	protective cap		8							
19	901 609 309 00	screened connector ignition lead - beru -		6							
20	111 905 449 A	cap		6							
21	999 659 034 40	protective cap		6							
(21)	999 659 002 50	protective cap		7							
22	901 609 591 00	cable holder		3							
23	901 602 927 00	dust cover - bosch -		1							
		- - - E N D - - -									

Model	Year	MG	SG	Illustration	Restrictions	Update	11:28	23.08.2006	PORSCHE	PET	PORSCHE
914	76	9	01	901-15		203					



Pos	Part Number	Name	Remarks	Qty	Model
		engine electric. equipment			914
1	022 905 115	ignition coil 12 V M >> W0 057 460		1	914-4
(1)	022 905 115 A	ignition coil 12 V M GB0 007 402>> M AN0 000 001>>		1	914-1,8V/2,0
2	022 905 121 A	restraining strap for ignition coil M >> W0 250 000 M >>GB0 007 401		1	914-4/1,7 914-2,0
(2)	021 905 119	restraining strap for ignition coil M GB0 007 402>> M AN0 000 001>>		1	914-1,8V/1,8 914-2,0
3	N 012 226 5	spring washer B 6	-73	2	914-4/1,7 914-1,8/2,0
4	N 010 215 13	hexagon-head bolt M 6 X 15	-73	2	914-4/1,7 914-1,8/2,0
(3)	N 012 226 5	spring washer A 6	74-	2	914-1,8V/2,0
(4)	N 010 210 13	hexagon-head bolt M 6 X 10	74-	2	914-1,8V/2,0
-	900 151 029 02	washer 6,4	74-	2	914-1,8V/1,8 914-2,0
(5)	022 905 205 H	distributor - bosch - M W0 057 460 >> M >> W0 250 000		1	914-4/1,7
(5)	022 905 205 S	distributor - bosch -		1	914-1,8V
(5)	039 905 205 A	distributor		1	914-2,0
(5)	039 905 205 AX	distributor - bosch - M GB0 007 402>> M GA0 006 766>> M >>GA0 016 000		1	914-2,0
(5)	022 905 205 S	distributor M AN0 000 001>>		1	914-1,8V
(5)	039 905 205 A	distributor		1	914-2,0

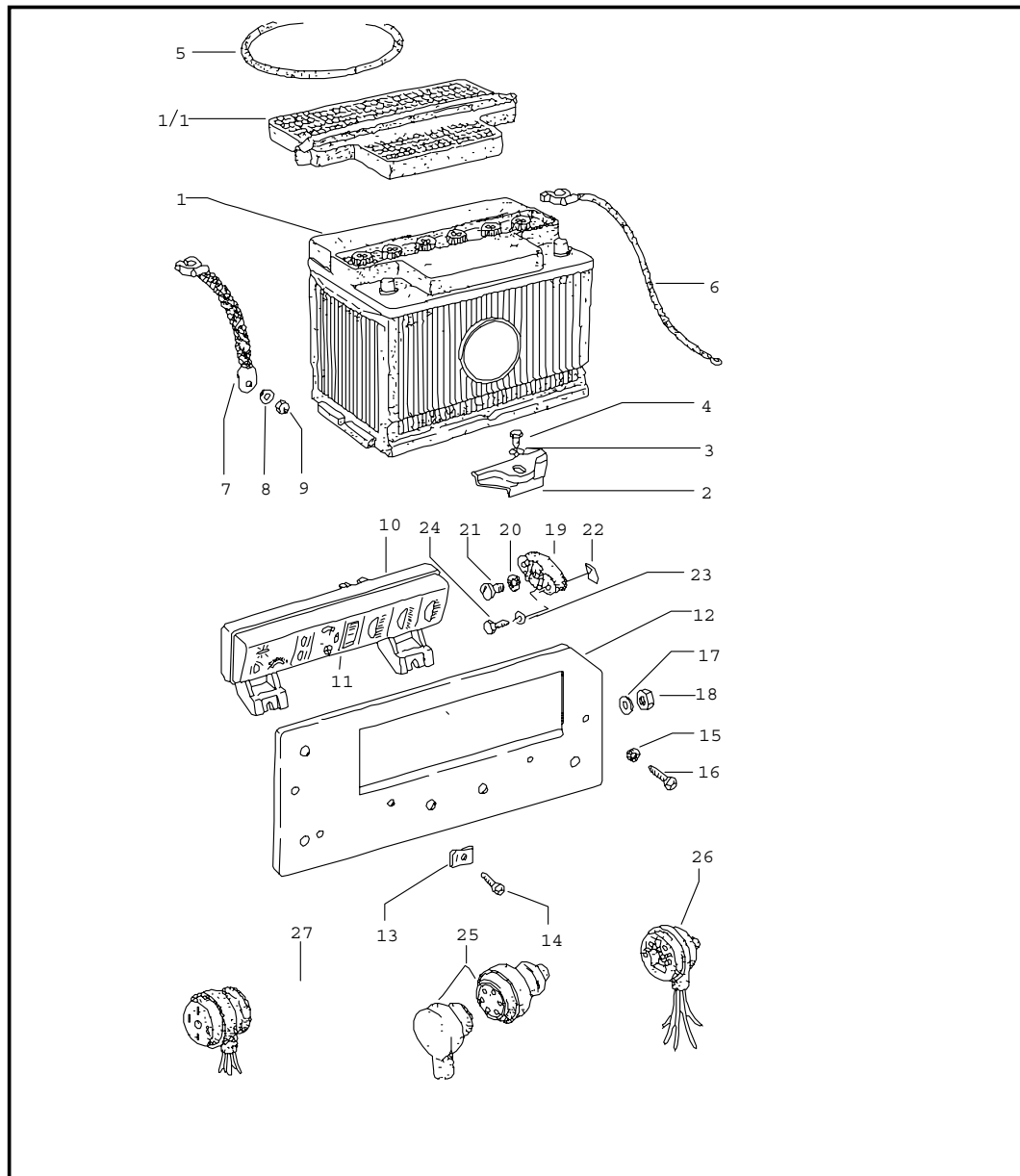
Model	Year	MG	SG	Illustration	Restrictions	Update	11:28	23.08.2006	PORSCHE	PET	PORSCHE
914	76	9	01	901-15		203					

Pos	Part Number	Name	Remarks	Qty	Model	Pos	Part Number	Name	Remarks	Qty	Model
(5)	039 905 205 AX	distributor M GB0 000 001>> M GA0 000 001>> M >>GB0 007 401 M >>GA0 006 765		1	914-2,0	14	022 905 271 A	vacuum unit with two connections f.ignition distributor 022.905.205 F		1	914-4
6	113 905 207 C	distributor cap		1		(14)	022 905 271 B	vacuum unit with one conectio f.ignition distributor 022.905.205 H		1	914-4/1,7
7	111 905 221 A	contact pin with spring		1		(14)	022 905 271 C	vacuum unit with two connections f.ignition distributor 022.905.205 P 039.905.205		1	914-1,7/2,0
8	022 905 225 A	rotor shielded speed disconnection f.ignition distributor 022.905.205 F 022.905.205 H 022.905.205 T 022.905.205 P 021.905.205 S 039.905.205 039.905.205 A		1		(14)	021 905 271 F	vacuum unit f.ignition distributor 022.905.205 T		1	914-1,8V
(8)	055 905 225 B	rotor shielded speed disconnection f.ignition distributor 022.905.205 AB 039.905.205 B		1	914-1,8/2,0	(15)	311 905 295 C	condenser f.ignition distributor 022.905.205 P 039.905.205 039.905.205 A 039.905.205 B		1	914-1,7/2,0
9	616 602 226 02	contact breaker point contact breaker point f.ignition distributor 022.905.205 F 022.905.205 H 022.905.205 T 022.905.205 P 021.905.205 S 039.905.205 039.905.205 A		1		(15)	021 905 295 B	condenser f.ignition distributor 022.905.205 AB 022.905.205 T 021.905.205 S		1	914-1,8V/1,8
						15	311 905 295 C	condenser f.ignition distributor 022.905.205 F 022.905.205 H		1	914-4/1,7
10	111 905 247	driving arm		1		16	311 905 301	contact-breaker carrier with pulse sender f.ignition distributor		1	914-4/1,7 914-2,0
11	021 905 250	support f.ignition distributor		1							
12	111 905 261	sealing ring f.ignition distributor		1		17	111 905 265	retainer spring for distributor cap		2	
13	021 905 267	nut M 6 X 35		1		18	111 905 269	fastening clip for retainer spring		2	
13A	N 011 008 8	hexagon nut M 8		1		19	N 010 703 2	pan-head screw AM 4,8		2	
13B	N 012 241 11	spring washer B 8 X 15		1							

Model	Year	MG	SG	Illustration	Restrictions	Update	11:28	23.08.2006	PORSCHE	PET	PORSCHE
914	76	9	01	901-15		203					

Pos	Part Number	Name	Remarks	Qty	Model	Pos	Part Number	Name	Remarks	Qty	Model
20	N 012 004 2	lock ring B 4		2		27	036 035 281	suppressor cap		5	914-1,7/1,8V 914-1,8/2,0
(21)	N 017 812 16	spark plug 175 - beru -		4	914-4/1,7 914-1,8/2,0	28	111 905 449 A	cap for spark plug		4	
(21)	N 017 812 8	spark plug 145 - beru -		4	914-1,8V	29	113 905 451 A	support		3	914-4/1,7
(21)	N 017 813 99	spark plug 145 - VW -		4	914-1,8V	29	113 905 451 A	support		2	914-1,8V/1,8 914-2,0
22	900 612 001 00	ignition lead ignition coil distributor and cylinder		*		30	111 201 261	support		1	914-4
23	111 905 427	connector for ignition cable		6		30	111 201 261	support		2	914-1,7/1,8V 914-1,8/2,0
(23)	036 035 281	suppressor cap for ignition cable		6	914-4/1,7/ 914-1,8V/2,0	- - - E N D - - -					
24	311 905 429 A	protection cap for ignition cable ignition coil		1							
(24)	311 905 429 A	protection cap for ignition cable distributor		5							
25	311 905 443	protective cap for spark plug socket		4							
26	113 035 255 A	spark plug suppressor cap 62 MM cylinder 1 + 3		2	914-4/1,7 914-1,8V/2,0						
(26)	113 035 255 A	spark plug suppressor cap		4	914-1,8V/1,8 914-2,0						
(26)	021 035 255	screened connector spark plug 85 MM cyl. 4		1	914-4/1,7 914-1,8V/1,8						
(26)	021 035 255 B	screened connector spark plug 98 MM cylinder 2		1	914-4/1,7 914-1,8V/1,8						

Model	Year	MG	SG	Illustration	Restrictions	Update	11:28	23.08.2006	PORSCHE	PET	PORSCHE
914	76	9	02	902-00		203					

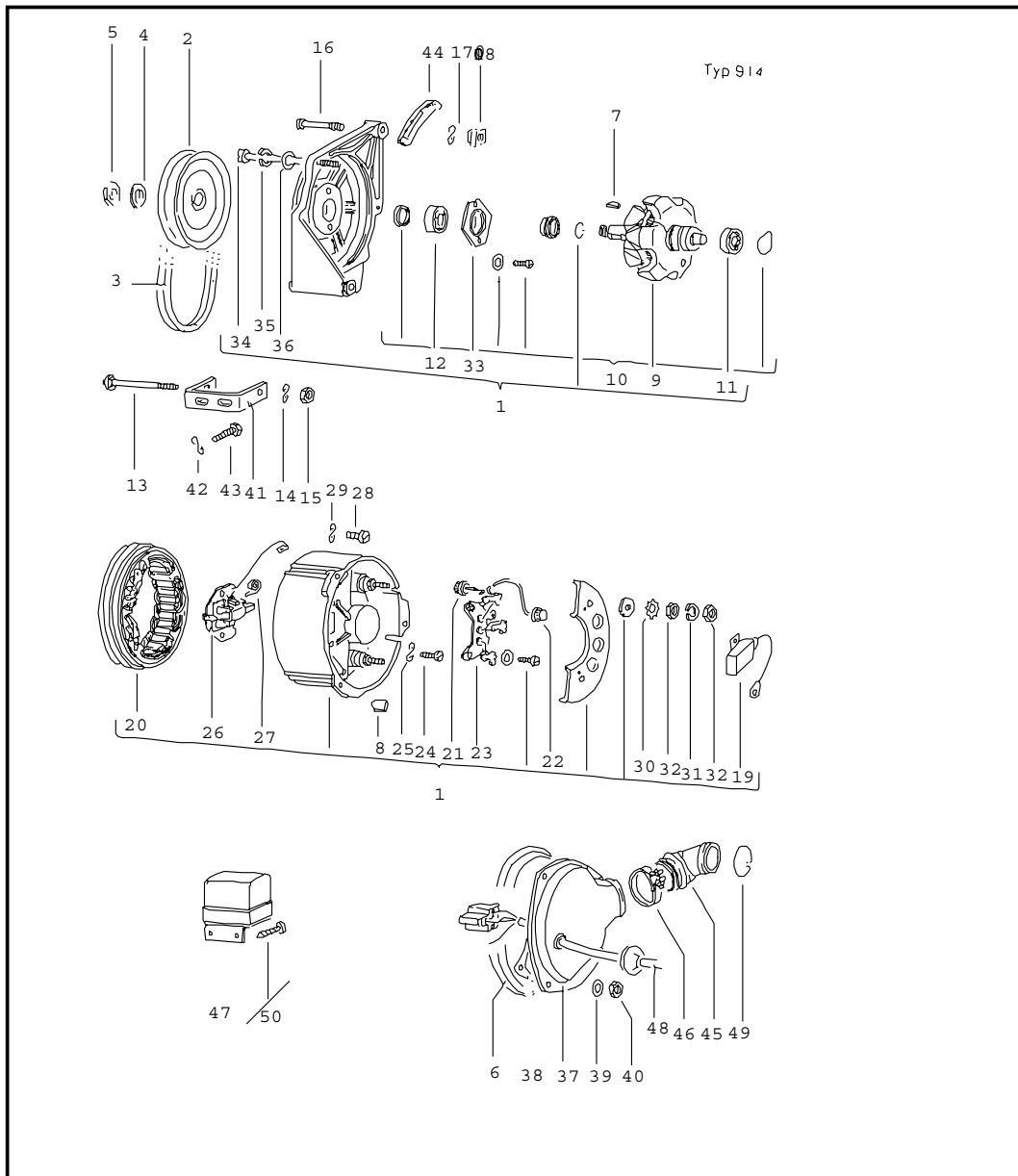


Pos	Part Number	Name	Remarks	Qty	Model
1	000 056 007	battery fuse box		1	
1/1	914 611 116 00	battery 12 V 45 AH		1	
1/1	914 611 116 00	cap		1	
2	914 611 233 10	tension terminal		1	
3	900 027 015 02	lock ring B 8		1	
4	N 010 247 7	hexagon-head bolt M 8 X 35		1	
5	010 409 549 B	round seal		1	
6	914 611 031 00	wiring harness battery starter not for TYP 914-6		1	
7	914 611 903 10	ground strap	-73	1	914-6/4/1,7 914-2,0
(7)	914 611 904 11	ground strap	74-	1	914-1,8V/1,8 914-2,0
8	N 012 228 3	spring washer B 8		1	
9	900 076 025 02	hexagon nut M 8		1	
10	914 612 315 10	fuse box 12-pole		1	
11	914 612 316 10	cover		1	
12	914 612 319 10	bracket	-73	1	914-6/4/1,7 914-2,0
(12)	914 612 319 11	bracket	74-	1	914-1,8V/1,8 914-2,0
13	311 937 693	speed nut		2	
14	900 143 007 02	tapping screw B 4,2 X 13		2	
15	900 115 012 01	serrated lock washer A 5,1		2	
16	900 189 010 02	oval-head sheetmetal screw AM 5 X 10		2	

Model	Year	MG	SG	Illustration	Restrictions	Update	11:28	23.08.2006	PORSCHE	PET	PORSCHE
914	76	9	02	902-00		203					

Pos	Part Number	Name	Remarks	Qty	Model	Pos	Part Number	Name	Remarks	Qty	Model
17	N 042 121 3	shake-proof washer A 6,4		2							
18	900 076 010 02	hexagon nut M 6		2							
19	928 612 867 00	cable connection		1	914-6/4						
20	900 114 018 01	shake-proof washer A 5,1		1	914-6/4						
21	900 146 003 02	oval-head screw AM 5 X 10		1	914-6/4						
22	N 015 429 2	speed nut B 4,2		2	914-6/4						
23	900 025 002 02	washer 4,3		2	914-6/4						
24	900 187 017 02	tapping screw 4,2 X 19		2	914-6/4						
25	901 612 330 00	multiple plug connection 6-pole clutch and connector		1	914-6						
26	901 612 333 00	socket for standard type relay		1							
27	901 612 334 00	socket for flasher relay		1							
		- - - E N D - - -									

Model	Year	MG	SG	Illustration	Restrictions	Update	11:28	23.08.2006	PORSCHE	PET	PORSCHE
914	76	9	02	902-05		203					



Pos	Part Number	Name	Remarks	Qty	Model
1	022 903 023	generator single parts generator 12 V 50 A M >> W0 250 000 M >>GB0 009 821 M >>AN0 008 797		1	914 914-4/1,7 914-1,8/1,8V 914-2,0
-	022 903 023 X	generator exchange 12 V 50 A M >> W0 250 000 M >>GB0 009 821 M >>AN0 008 797		1	914-4/1,7 914-1,8/1,8V 914-2,0
(1)	022 903 023 A	generator 12 V 50 A M GB0 009 822>> M AN0 008 798>>		1	914-1,8V/1,8 914-2,0
-	022 903 023 AX	generator exchange 12 V 50 A M GB0 009 822>> M AN0 008 798>>		1	914-1,8/1,8V 914-2,0
2	021 903 109 A	pulley M >> W0 250 000 M >>GB0 009 821 M >>AN0 008 797		1	
(2)	022 903 109 A	pulley M GB0 009 822>> M AN0 008 798>>		1	914-1,8V/1,8 914-2,0
3	068 903 137 D	v-belt		1	
4	N 011 565 3	washer 15		1	
5	900 078 005 01	hexagon nut M 14 X 1,5		1	
6	021 903 203	gasket for generator M >> W0 250 000 M >>GB0 009 821 M >>AN0 008 797		1	
(6)	022 903 203	gasket for generator M GB0 009 822>> M AN0 008 798>>		1	914-1,8V/1,8 914-2,0

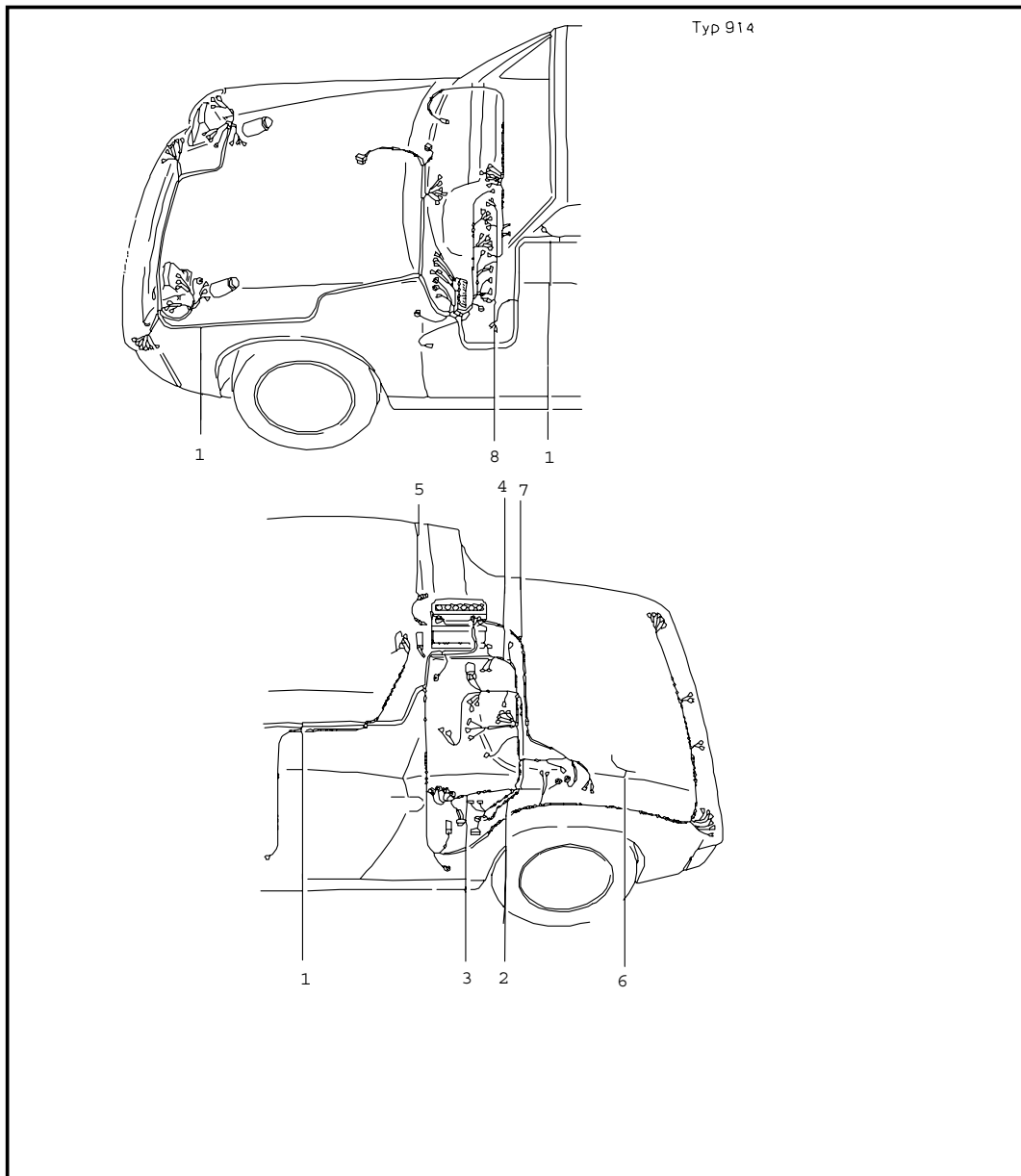
Model	Year	MG	SG	Illustration	Restrictions	Update	11:28	23.08.2006	PORSCHE	PET	PORSCHE
914	76	9	02	902-05		203					

Pos	Part Number	Name	Remarks	Qty	Model	Pos	Part Number	Name	Remarks	Qty	Model
7	N 012 708 2	woodruff key 4 X 5		1		21	021 903 355	diode (-)		3	
8	021 903 209	gasket		2		22	021 903 357	diode (+)		3	
9	022 903 213	claw-pole rotor		1		(22)	021 903 357 A	diode (+)		3	914-1,8V/1,8 914-2,0
10	021 903 220	parts kit for claw-pole rotor M >> W0 250 000 M >>GB0 009 821 M >>AN0 008 797		1		23	021 903 359 A	diode carrier		1	
(10)	059 903 205	parts kit for claw-pole rotor M GB0 009 822>> M AN0 008 798>>		1	914-1,8V/1,8 914-2,0	24	N 010 698 1	pan-head screw AM 4 X 12		2	
11	021 903 221	deep-groove ball bearing for housing generator		1		25	N 012 224 1	spring washer B 4		2	
12	021 903 221 A	deep-groove ball bearing for shaft		1		26	021 903 503 A	retainer plate		1	
13	021 903 231	screw M 8 X 71		1		27	021 903 519	compression spring		2	
14	N 012 241 11	spring washer B 8		1		28	N 010 695 1	pan-head screw AM 4 X 6		1	
15	N 011 008 8	hexagon nut M 8		1		29	N 012 224 1	spring washer B 4		1	
16	900 067 081 02	pan-head screw M 8 X 35		1		30	N 012 106 1	lock washer J 6,4		1	
17	N 012 228 3	spring washer B 8		1		31	N 012 006 4	lock ring B 6		2	
18	021 903 243 A	square nut M 8		1		32	N 011 116 1	hexagon nut BM 6		4	
19	021 903 295	suppressor condenser		1		33	021 903 543	retainer plate		1	
20	021 903 351 A	heating spiral M >> W0 250 000 M >>GB0 009 821 M >>AN0 008 797		1		(34)	021 903 555	bolt M GB0 009 822>> M AN0 008 798>>		3	914-1,8V/1,8 914-2,0
(20)	021 903 351 D	heating spiral M GB0 009 822>> M AN0 008 798>>		1	914-1,8V/1,8 914-2,0	34	021 903 555 A	bolt M >> W0 250 000 M >>GB0 009 821 M >>AN0 008 797		3	
						35	N 012 005 3	lock ring B 5		1	
						36	900 025 003 02	washer A 5,3		1	
						37	021 903 621	suction housing for generator		1	

Model	Year	MG	SG	Illustration	Restrictions	Update	11:28	23.08.2006	PORSCHE	PET	PORSCHE
914	76	9	02	902-05		203					

Pos	Part Number	Name	Remarks	Qty	Model	Pos	Part Number	Name	Remarks	Qty	Model
38	021 903 637	gasket for suction housing		1		49	021 903 657	snap ring \$ 44,5 MM M >> W0 250 000 M >>GB0 009 821 M >>AN0 008 797	72-	1	
39	900 028 007 02	spring washer B 5		3							
40	N 011 115 1	hexagon nut BM 5		3		(49)	022 903 657	snap ring \$ 50,5 MM M GB0 009 822>> M AN0 008 798>>		1	914-1,8V/1,8 914-2,0
41	022 903 645	bracket		1							
42	N 012 228 3	spring washer B 8		2		50	N 013 968 1	tapping screw B 4,8 X 13		2	
43	900 075 085 02	hexagon-head bolt M 8 X 20		2		-	021 903 791 A	1 set connecting piece terminal B + M GB0 009 822>> M AN0 008 798>>		1	914-1,8V/1,8 914-2,0
44	022 903 646	bracket		1							
(45)	021 903 655	elbow M >> W0 129 581		1	914-4						
45	021 903 655 B	elbow M W0 129 582 >> M >> W0 250 000 M >>GB0 009 821 M >>AN0 008 797	72-	1							
(45)	021 903 655 D	elbow M GB0 009 822>> M AN0 008 798>>		1	914-1,8V/1,8 914-2,0						
(46)	021 903 659	hose clamp M >> W0 129 581		1	914-4						
46	021 903 659 A	hose clamp M W0 129 582 >> M AN0 000 001>> M GB0 000 001>> M >> W0 250 000	72-	1							
(47)	-	regulator shielded see group 9/01/00		X							
47	-	regulator see group 9/01/00		X							
48	021 971 349 D	1 set lines regulator generator		1							
-	111 971 911 A	rubber sleeve		1	914-2,0						

Model	Year	MG	SG	Illustration	Restrictions	Update	11:29	23.08.2006	PORSCHE	PET	PORSCHE
914	76	9	02	902-10		203					



Pos	Part Number	Name	Remarks	Qty	Model
		harnesses			914
1	914 612 018 10	wiring harness	-70	1	914-4
(1)	914 612 018 12	wiring harness	71-	1	914-4
(1)	914 612 018 13	wiring harness F 47229 00001>>	72-	1	914-4
(1)	914 612 018 15	wiring harness	-73	1	914-1,7/2,0
(1)	914 612 018 16	wiring harness	74-	1	914-1,8V/2,0
(1)	914 612 018 17	wiring harness	75-	1	914-1,8V/2,0
-	311 971 913	grommet for contact piece		1	
2	914 612 007 13	wiring harness engine regulator plate	-71	1	914-4
(2)	914 612 007 13	wiring harness engine regulator plate	72-	1	914-4
(2)	914 612 007 15	wiring harness engine regulator plate	-73	1	914-1,7/2,0
(2)	914 612 007 16	wiring harness engine regulator plate	74-	1	914-1,8V/2,0
3	--- --- --- ---	harness generator see group 9/02/05		X	
-	914 612 151 10	wiring harness for centre console		1	
-	914 612 155 10	cable for instrument cluster without centre console		1	914-2,0
-	901 612 043 01	positive cable instrument cluster		1	914-2,0

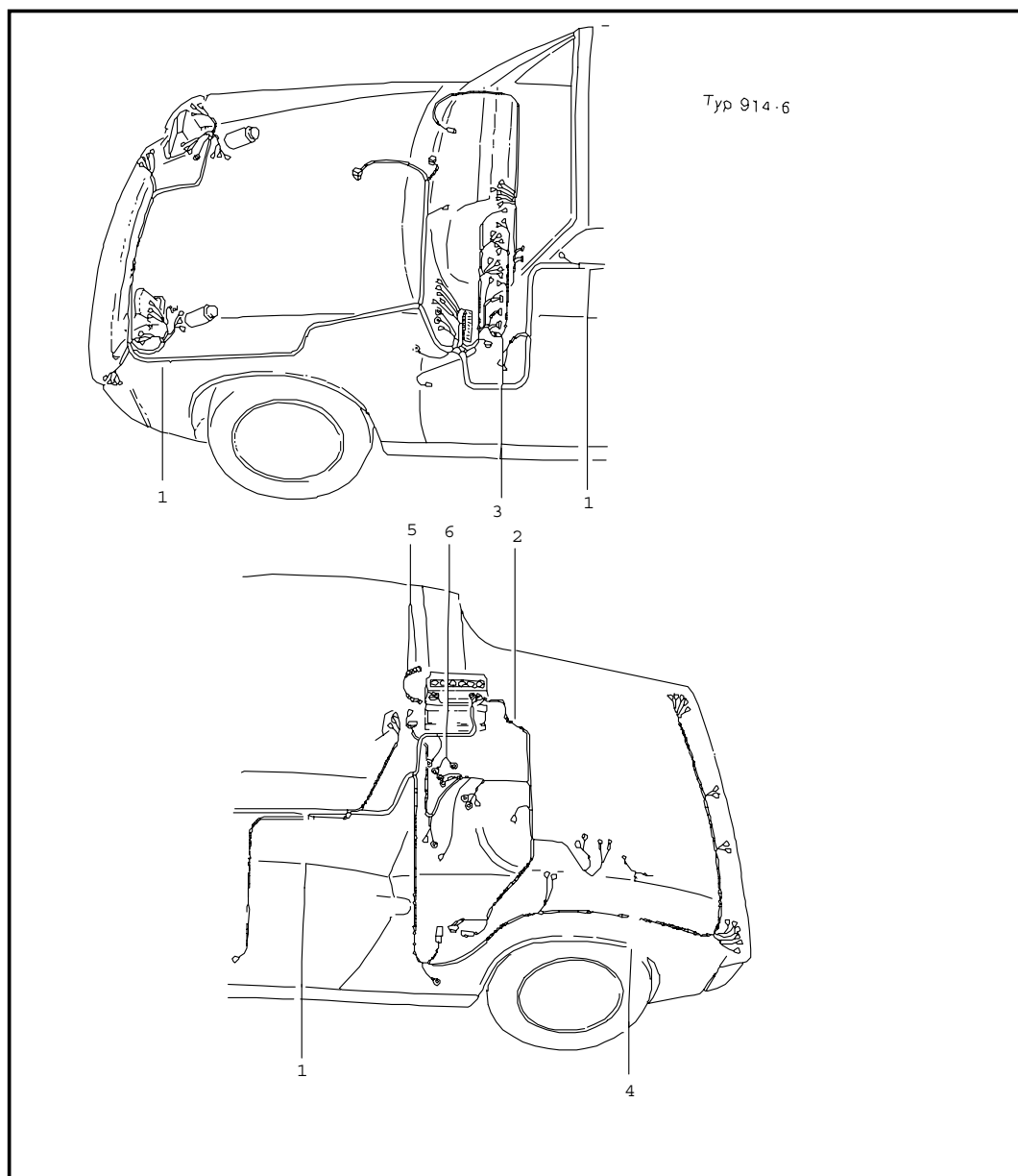
Model	Year	MG	SG	Illustration	Restrictions	Update	11:29	23.08.2006	PORSCHE	PET	PORSCHE
914	76	9	02	902-10		203					

Pos	Part Number	Name	Remarks	Qty	Model	Pos	Part Number	Name	Remarks	Qty	Model
4	---	lines for control unit see group 9/01/05		X		-	914 612 085 00	wiring harness for license plate light	75-	1	914-1,8V/1,8 914-2,0
5	914 611 903 10	ground strap battery body	-73	1	914-4/1,7 914-2,0	-	914 612 056 10	additional cables for rear window heating	M	1	914-4
(5)	914 611 904 11	ground strap battery body	74-	1	914-1,8V/1,8 914-2,0	-	914 612 161 20	cable ground strap for fuel pump		1	914-1,8V/1,8 914-2,0
6	999 611 919 20	ground strap transmission running gear		1		-	914 612 056 13	additional cables for rear window heating F 47229 00001>>	72-M	1	914-4/1,7 914-2,0
-	900 076 025 02	hexagon nut M 8		2		-	914 612 056 14	additional cables for rear window heating	74-M	1	914-1,8V/1,8 914-2,0
-	N 012 228 3	spring washer B8		2		-	914 612 057 10	wiring harness switch for fog headlamp and rear fog light	M	1	914-4
7	914 611 031 00	wiring harness battery starter		1		-	914 612 057 13	wiring harness switch for fog headlamp and rear fog light F 47229 00001>>	72-M	1	
8	914 612 041 10	wiring harness for lights instruments	-73	1	914-4/1,7 914-2,0	-	914 612 132 12	wiring harness for emergency light switch brake 2-pole	-73	1	914-6/4/1,7 914-2,0
-	911 617 107 00	diode for brakes warning indicator		1		-	914 612 049 16	additional cables for emergency light switch single pole	74-	1	914-1,8V/1,8 914-2,0
-	914 612 058 10	additional cables for manual transmission		1	914-4:(A)	-	914 612 053 10	wiring harness for radio - BLAUPUNKT -	M	1	
-	914 612 051 10	additional cables for side turn signal		2		-	914 612 055 10	cable for loudspeaker for radio - BLAUPUNKT -	M	1	
-	914 612 052 10	additional cables for switch high-beam headlight	-73	1	914-4/1,7 914-2,0						
8	914 612 052 11	additional cables for switch high-beam headlight		1	914-1,8V/2,0						

Model	Year	MG	SG	Illustration	Restrictions	Update	11:29	23.08.2006	PORSCHE	PET	PORSCHE
914	76	9	02	902-10		203					

Pos	Part Number	Name	Remarks	Qty	Model	Pos	Part Number	Name	Remarks	Qty	Model
-	914 612 115 10	additional cables for rear fog light	M	1	914-4/1,7 914-2,0	-	901 612 893 01	clutch for regulator		1	
-	914 612 115 13	additional cables for rear fog light	72-M	1	914-4/1,7 914-1,8V/1,8	-	999 652 167 40	terminal sleeve housing for generator		1	
-	914 612 065 10	additional cables for double horn	M	1	914-4	-	930 612 914 00	cap		1	
-	914 612 177 00	additional cables for double horn	75-	1	914-1,8V/1,8 914-2,0	-	999 613 017 40	covering for cable holder		*	
-	914 612 119 10	wiring harness for fog headlamp	M	1	914-4/1,7 914-1,8V/2,0 (F)	-	-	100 MM		X	
-	914 612 067 10	diode with cable for relay		1		-	-	70 MM		X	
-	914 612 132 12	wiring harness for brakes warning system		1		-	-	50 MM		X	
-	914 612 173 00	additional cables for headlight washer system (S)	74-M	1	914-1,8V/1,8 914-2,0	-	-	40 MM		X	
-	914 612 143 10	additional cables for interval relay windscreen wiper system	72-	1		-	999 652 106 02	flat receptacle for repair material wiring harness 914 612 123 10		12	914-4
-	914 612 123 10	wiring harness repair material front trunk		1	914-4	-	999 652 107 02	flat receptacle for repair material wiring harness 914 612 123 10		2	914-4
-	911 612 122 03	clutch for regulator plate		1		-	999 513 002 40	tie-wrap for headlamp housing		2	
-	901 612 891 02	clutch for sender fuel-level indicator and blower		1		-	999 513 021 40	tie-wrap for starter		1	
						-	999 513 007 40	tie-wrap for engine cable 4		2	
						-	311 821 189	sealing washer		2	
								- - - E N D - - -			

Model	Year	MG	SG	Illustration	Restrictions	Update	11:29	23.08.2006	PORSCHE	PET	PORSCHE
914	76	9	02	902-15		203					



Pos	Part Number	Name	Remarks	Qty	Model
		harnesses			914-6
1	914 612 019 10	wiring harness		1	
(1)	914 612 018 13	wiring harness	72-	1	
-	311 971 913	grommet for contact piece		1	
2	914 612 046 10	wiring harness control board engine		1	
-	914 612 317 12	connecting line wiring harness control board	72-	1	
3	914 612 041 10	wiring harness light instruments		1	
-	914 612 145 10	connecting line wiring harness oil temperature instrument cluster	72-	1	
4	999 611 919 20	ground strap transmission running gear		1	
-	901 612 043 01	positive cable sender oil temperature	72-	1	
5	914 611 903 10	ground strap battery body		1	
-	900 076 025 02	hexagon nut M 8		2	
-	N 012 228 3	spring washer B 8		2	
6	901 612 099 00	ground strap ignition coil KL.1		1	
-	911 617 107 00	diode for brake warning indicator		1	
-	914 612 058 10	additional cables		1	(A)
-	914 612 051 10	additional cables side turn signal		1	

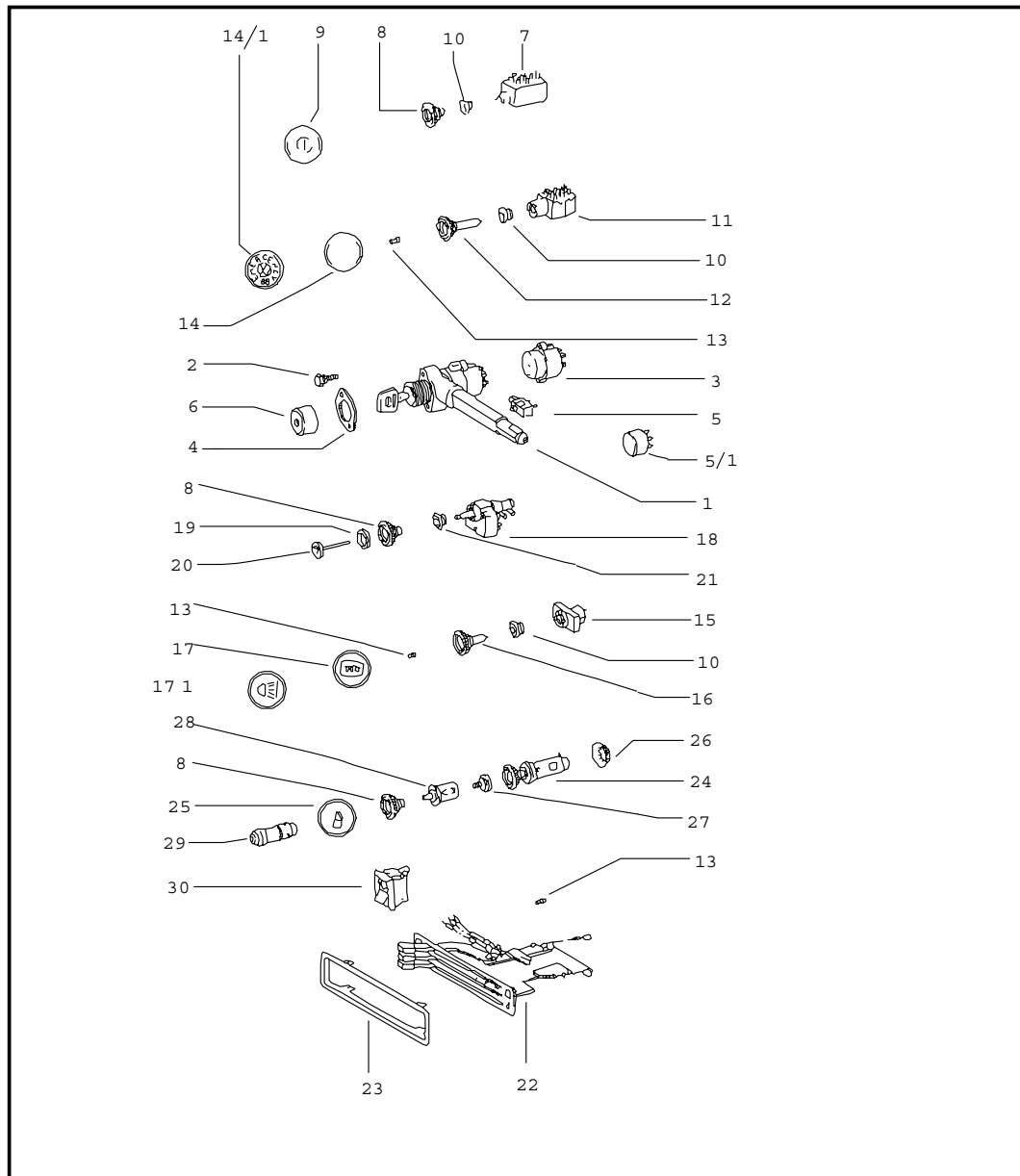
Model	Year	MG	SG	Illustration	Restrictions	Update	11:29	23.08.2006	PORSCHE	PET	PORSCHE
914	76	9	02	902-15		203					

Pos	Part Number	Name	Remarks	Qty	Model	Pos	Part Number	Name	Remarks	Qty	Model
-	914 612 052 10	additional cables high-beam headlight		1		-	911 612 122 02	connector housing 12-pole AM		1	
-	914 612 057 10	wiring harness for fog tail lamp and rear fog light	M	1		-	911 612 889 00	wiring harness for steering column switch		1	
-	914 612 132 12	wiring harness for stop light switch		1		-	901 612 891 02	connector housing 10-pole steering lock		1	
-	914 612 132 12	wiring harness for brakes warning indicator		1		-	901 612 893 01	clutch sender and blower		1	
-	914 612 054 10	wiring harness -BLAUPUNKT- radio	M	1		-	999 652 167 40	clutch for regulator		1	
-	914 612 055 10	cable for loudspeaker -BLAUPUNKT- radio	M	1		-	901 612 899 00	terminal sleeve housing for generator		1	
-	914 612 115 10	additional cables rear fog light	M	1		-	901 612 899 00	clutch for BHKZ		1	
-	914 612 125 10	wiring harness relay carrier headlight flasher		1	(CH)	-	930 612 914 00	cap		1	
-	914 612 119 10	wiring harness fog headlamp	M	1	(F)	-	999 613 017 40	covering for cable holder		*	
-	914 612 060 10	cable for loudspeaker -BECKER- radio	M	1		-	-	100 MM		X	
-	914 612 067 10	diode with cable for relay	72-	1		-	-	70 MM		X	
-	914 612 121 10	wiring harness -BECKER- radio	M	1		-	-	50 MM		X	
-	914 612 123 10	wiring harness repair material front trunk		1		-	-	40 MM		X	
-	911 612 115 03	connector housing control board engine		1		-	999 652 106 02	flat receptacle for 914.612.123.10 repair kit cable holder		12	
-						-	999 652 107 02	flat receptacle for 914.612.123.10 repair kit cable holder		2	
-						-	999 513 002 40	tie-wrap for headlamp housing		2	

Model	Year	MG	SG	Illustration	Restrictions	Update	11:29	23.08.2006	PORSCHE	PET	PORSCHE
914	76	9	02	902-15		203					

Pos	Part Number	Name	Remarks	Qty	Model	Pos	Part Number	Name	Remarks	Qty	Model
-	999 513 021 40	tie-wrap for starter		1							
-	999 513 023 40	tie-wrap for cable BHKZ		1							
		- - - E N D - - -									

Model	Year	MG	SG	Illustration	Restrictions	Update	11:29	23.08.2006	PORSCHE	PET	PORSCHE
914	76	9	03	903-00		203					



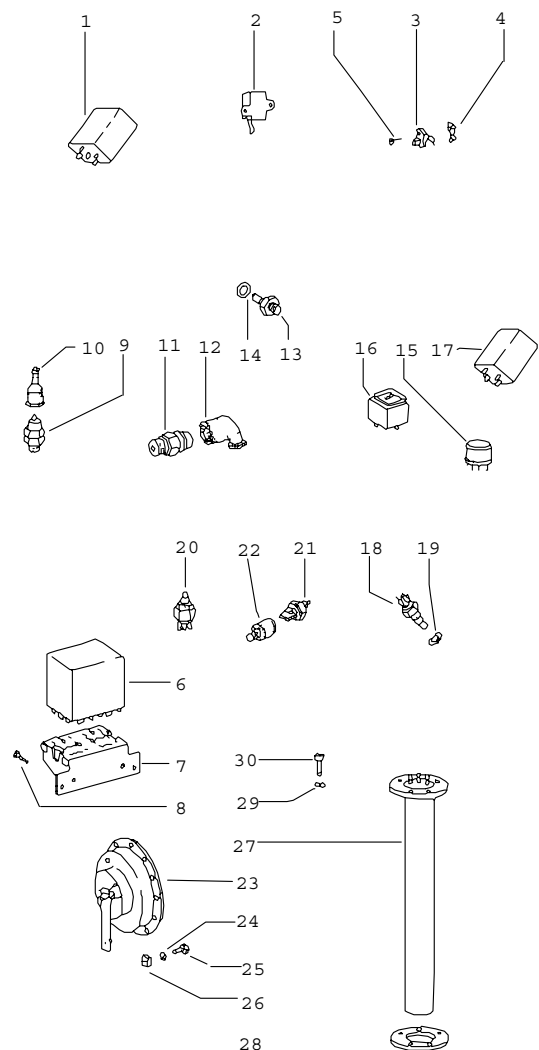
Pos	Part Number	Name	Remarks	Qty	Model
1	911 613 901 00	switch covering for instruments steering lock without buzzer contact with key w/o stipulated lock number		1	914-6
(1)	911 613 903 01	steering lock without buzzer contact with key state lock number		1	914-6
2	999 219 017 02	shear bolt		2	914-6
3	911 613 017 01	ignition starter switch		1	914-6
4	911 347 613 00	lock washer		1	914-6
6	914 613 163 00	trim		1	914-6
7	914 613 414 10	light switch	-71	1	914-6/4
(7)	914 613 414 15	light switch see classic ti 2/94	72-	1	914-1,7/1,8V 914-1,8/2,0
8	111 941 541 F	knob	-71	3	914-6/4
(8)	111 941 541 F	gearshift knob	72-	3	914-1,7/1,8V 914-1,8/2,0
9	111 941 543 G	cap with symbol		1	
10	111 941 515 D	rose M 14 X 1		4	
11	411 953 235 A	hazard warning light sw.		1	
12	914 613 433 10	handle knob	-71	1	914-6/4
(12)	411 953 245 A	handle knob	72-	1	914-1,7/1,8 914-2,0
13	900 631 129 90	bulb W 2 X 4,6 D - 12 V 1,2 W		3	
14	111 941 543 F	cover red without marked for emergency light switch		1	

Model	Year	MG	SG	Illustration	Restrictions	Update	11:29	23.08.2006	PORSCHE	PET	PORSCHE
914	76	9	03	903-00		203					

Pos	Part Number	Name	Remarks	Qty	Model	Pos	Part Number	Name	Remarks	Qty	Model
-	914 613 030 15	switch complete for rear fog light and fog headlamp		1		26	914 652 115 10	clamping washer for cigarette lighter 914.652.104.10		1	
15	914 613 419 11	switch housing fog headlamp rear window heating rear fog light		1		27	644 652 112 00	glower cigarette lighter		1	
16	914 613 435 10	handle knob	-71	1	914-6/4	28	901 652 122 01	connector cigarette lighter with picture 8, 25, 27		1	
(16)	111 953 245 E	handle knob	72-	1	914-1,7/1,8V 914-1,8/2,0	29	901 613 801 00	connector		1	
17	411 941 543 C	cap with symbol transparent green for rear window heatable		1		30	911 613 319 01	tip switch headlight washer system (S)	74-M	1	914-1,8V/1,8 914-2,0
								- - - E N D - - -			
17/1	111 941 543 H	cap with symbol transparent yellow for rear fog light fog headlamp		1							
18	141 955 517 A	wiper switch		1	914-4						
19	111 941 547	ring		1	914-4						
20	914 613 428 10	release button		1	914-4						
21	111 941 515 D	rose M 14 X 1		1	914-4						
22	--- --- --- ---	blower switch complete see group 8/13/00		1							
23	901 613 114 00	moulding F >>47529 00010		1							
(24)	PCG 652 104 11	cigarette lighter complete		1							
25	911 613 235 01	cap with symbol for cigarette lighter		1							

Model	Year	MG	SG	Illustration	Restrictions	Update	11:29	23.08.2006	PORSCHE	PET	PORSCHE
914	76	9	03	903-05		203					

Pos	Part Number	Name	Remarks	Qty	Model
		switch relay horn			
		combined switch see group 9/03/10			914-6
		steering column switch see group 9/03/15	-71		
		steering column switch see group 9/03/20	72-		
1	914 618 410 00	interval relay	-72	1	914-4
(1)	111 955 531	interval relay	73-	1	914-1,7/1,8V 914-1,8/2,0
2	911 613 411 00	stop light switch		1	
3	113 947 561 D	contact switch contact piece	-73	1	914-6/4/1,7 914-2,0
(3)	113 947 561 G	contact switch contact piece	/2,0 74-	1	914-1,8V/1,8
(3)	113 947 561 D	contact switch	2,0 -73	2	914-6/4/1,7/
(3)	113 947 561 G	contact switch	74-	2	914-1,8V/2,0
4	113 947 565	gasket for door contact switch		2	
5	N 013 958 7	tapping screw A 3,5 X 19		2	
8	N 013 970 5	pan-head tapping screw BZ 4,8 X 9,5	74-	2	914-1,8/2,0
9	---	oil pressure switch see group 1/01/10		X	914-6
(9)	---	oil pressure switch see group 1/14/00		X	
10	---	protective cap for oil pressure switch see group 1/01/10		X	

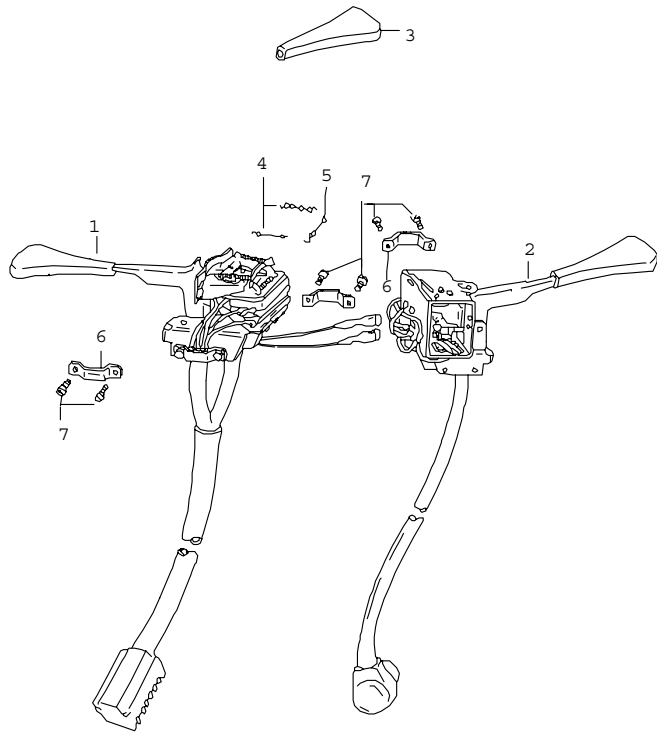


Model	Year	MG	SG	Illustration	Restrictions	Update	11:29	23.08.2006	PORSCHE	PET	PORSCHE
914	76	9	03	903-05		203					

Pos	Part Number	Name	Remarks	Qty	Model	Pos	Part Number	Name	Remarks	Qty	Model
11	---	back-up light switch with sealing ring see group 3/02/00		X		22	---	protective cap see group 6/04/00		X	
(11)	---	back-up light switch with sealing ring see group 3/08/00		X	SPM	23	914 635 103 11	horn - HELLA - 335 HZ		1	
12	---	protection cap for back-up light switch see group 3/02/00		X		(23)	914 635 104 11	horn - HELLA - 400 HZ		1	
13	---	remote temperature sensor see group 1/01/10		X		24	N 012 132 2	shake-proof washer A 8,4	-74	1	
14	---	sealing ring see group 1/01/10		X		24	N 012 132 2	shake-proof washer A 8,4	-74	2	914-6
15	911 615 109 01	standard type relay		7		25	900 075 078 02	hexagon-head bolt M 8 X 15	-74	1	
15	911 615 109 01	standard type relay		6	914-6	25	900 075 078 02	hexagon-head bolt M 8 X 15	-74	2	914-6
16	111 941 583	relay for dipped beam and high-beam headlight		1	914-4/1,7 914-1,8V/2,0	26	999 703 089 40	square nut not for TYP 914-6	-74	1	
17	914 618 303 11	flasher relay	-72	1	914-6/4	-	900 076 025 02	hexagon nut M 8	75-	1	914-1,8V/1,8 914-2,0
(17)	914 618 303 11	flasher relay	73-	1	914-1,7/1,8V 914-1,8/2,0	-	900 027 015 02	lock ring B 8	75-	1	914-1,8V/1,8 914-2,0
18	---	temperature switch see group 3/07/05		X	914-6:SPM	27	901 741 801 00	sender electric		1	
19	---	sealing ring see group 3/07/05		X	914-6:SPM	28	477 919 133	sealing ring		1	
20	---	bridging switch see group 3/08/00		X	914-6:SPM	29	N 011 556 2	washer 5,3		5	
21	---	stop light switch see group 6/04/00		X		30	N 010 207 6	hexagon-head bolt M 5 X 12		5	
								- - - E N D - - -			

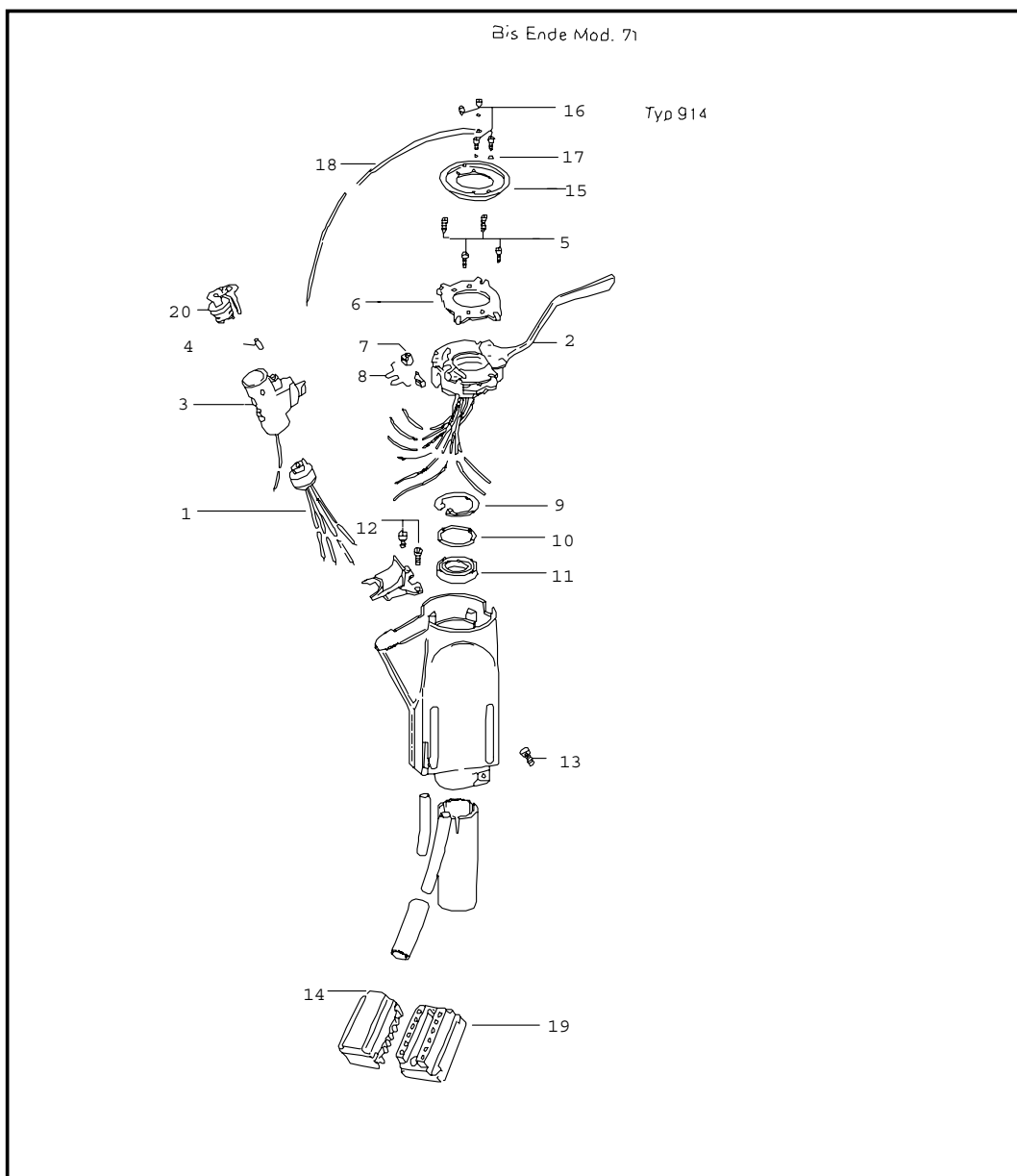
Model	Year	MG	SG	Illustration	Restrictions	Update	11:30	23.08.2006	PORSCHE	PET	PORSCHE
914	76	9	03	903-10		203					

Typ 914 6



Pos	Part Number	Name	Remarks	Qty	Model
		steering column switch			914-6
1	914 613 303 10	combined switch		1	
2	914 613 302 10	wiper switch		1	
3	901 552 853 00	handle for switch		1	
4	901 613 352 00	tension spring		2	
5	901 613 918 00	tension spring		1	
6	901 613 920 00	clamping piece		3	
7	901 613 919 00	pan-head screw		6	
		- - - E N D - - -			

Model	Year	MG	SG	Illustration	Restrictions	Update	11:30	23.08.2006	PORSCHE	PET	PORSCHE
914	76	9	03	903-15		203					



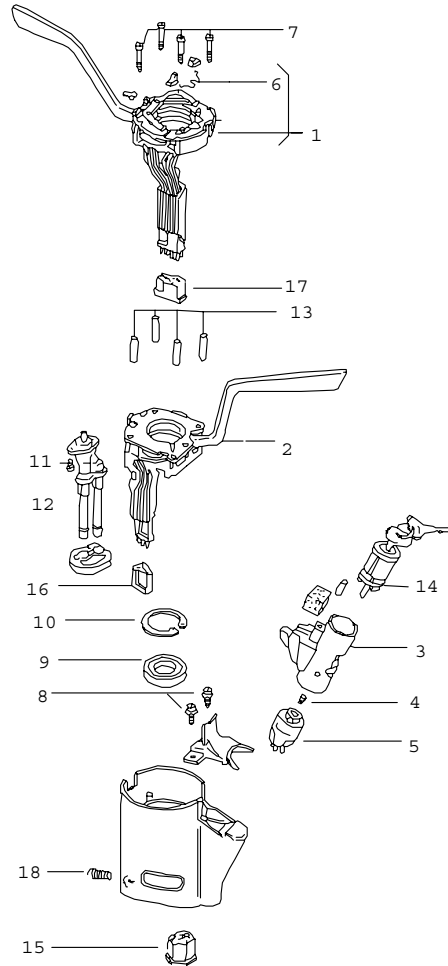
Pos	Part Number	Name	Remarks	Qty	Model
		steering column switch	-71		914-4
-	914 613 305 10	steering column switch	-70	1	
-	914 613 306 12	steering column switch F 47129 11715>>	71-	1	
-	111 953 572	spacer sleeve		2	
1	311 905 865 A	ignition starter switch	-70	1	
(1)	311 905 865 B	ignition starter switch with buzzer contact F 47129 09637>>	71-	1	
2	914 613 927 12	direction indicator switch upper part	-70	1	
(2)	914 613 927 12	switch upper part F 47129 09637>>	71-	1	
3	113 905 887	steering lock with buzzer contact without ignition starter switch	-70	1	
(3)	111 905 851 N	steering lock without ignition starter switch F 47129 09637>>	71-	1	
-	914 613 929 12	steering lock with ignition starter switch F 47129 09637>>	71-	1	
4	914 613 903 10	rubber buffer		1	
5	111 953 573	screw for direction indicator switch upper part		4	
6	914 613 904 10	insulating piece		1	
7	111 953 577	slide		2	
8	111 953 575	spring for direction indicator switch upper part		1	
9	111 953 563	snap ring for ball bearing		1	

Model	Year	MG	SG	Illustration	Restrictions	Update	11:30	23.08.2006	PORSCHE	PET	PORSCHE
914	76	9	03	903-15		203					

Pos	Part Number	Name	Remarks	Qty	Model	Pos	Part Number	Name	Remarks	Qty	Model
10	914 347 168 00	washer		1							
11	900 052 202 00	deep-groove ball bearing 6 1905		1							
12	N 010 811 1	pan-head screw AM 5 X 8		2							
13	N 014 709 1	pan-head screw M 8 X 22		1							
14	911 612 121 03	connector 12-pole	-70	1							
(14)	911 612 113 05	connector housing 14-pole F 47129 09637>>	71-	1							
15	914 613 908 10	slip ring		1							
16	914 613 909 10	screw for slip ring		4							
17	914 613 910 10	washer for slip ring		4							
18	914 613 911 10	cable		1							
19	911 612 122 02	connector housing 12-pole for steering column switch	-70	1							
(19)	911 612 115 02	connector housing 14-pole for steering column switch F 47129 09637>>	71-	1							
20	914 347 903 00	lock cylinder with keys w/o stipulated lock number	-70	1							
(20)	914 347 903 02	lock cylinder with keys w/o stipulated lock number F 47129 09637>>	71-	1							
(20)	914 347 904 02	lock cylinder with keys state lock number F 47129 09637>>	71-	1							
		- - - E N D - - -									

Model	Year	MG	SG	Illustration	Restrictions	Update	11:30	23.08.2006	PORSCHE	PET	PORSCHE
914	76	9	03	903-20		203					

Ao Mod. 72 bis Ende Mod. 74

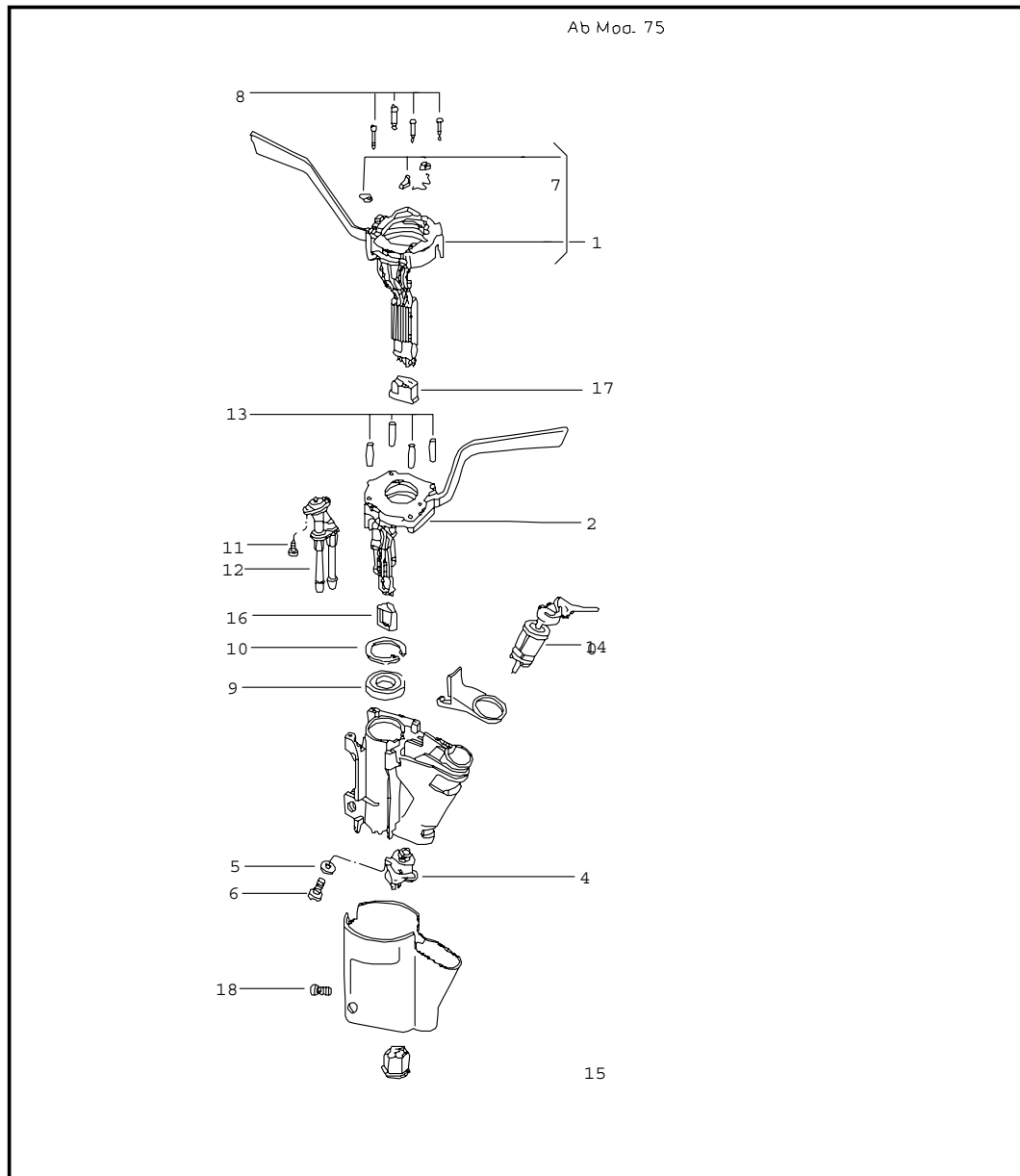


Pos	Part Number	Name	Remarks	Qty	Model
-	914 613 306 17	steering column switch	72-74		
		steering column switch combined switch with steering lock ignition starter switch without lock cylinder	72- -74	1	
1	914 613 913 14	direction indicator switch		1	
2	914 613 915 14	wiper switch		1	
3	111 905 851 N	steering lock		1	
4	N 013 042 2	threaded pin		1	
5	111 905 865 K	ignition starter switch		1	
6	111 953 575	spring		1	
7	111 953 573 A	pan-head screw		4	
8	N 010 811 1	pan-head screw		2	
(8)	N 012 005 3	lock ring		2	
9	111 953 559 A	ball bearing		1	
10	111 953 563 A	circlip		1	
11	N 010 802 2	oval-head screw		2	
12	111 953 553	valve windscreen washer system		1	
13	111 953 572 A	spacer sleeve		4	
14	914 347 903 02	lock cylinder with keys w/o stipulated lock number		1	
14	914 347 904 02	lock cylinder with keys state lock number		1	
15	111 953 631	terminal sleeve housing ignition starter switch		1	
16	111 953 635	terminal sleeve housing wiper switch		1	
17	111 953 633	terminal sleeve housing direction indicator switch		1	
18	N 014 707 4	pan-head screw M 8 X 16		2	

Model	Year	MG	SG	Illustration	Restrictions	Update					
914	76	9	03	903-20		203	11:30	23.08.2006	PORSCHE	PET	PORSCHE

Pos	Part Number	Name	Remarks	Qty	Model	Pos	Part Number	Name	Remarks	Qty	Model
		- - - E N D - - -									

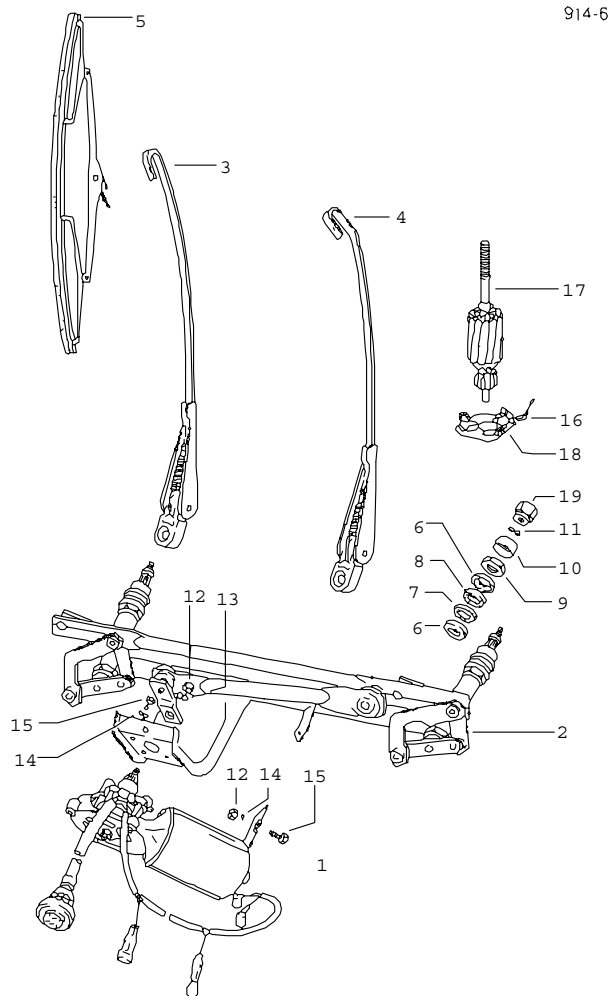
Model	Year	MG	SG	Illustration	Restrictions	Update	11:30	23.08.2006	PORSCHE	PET	PORSCHE
914	76	9	03	903-25		203					



Pos	Part Number	Name	Remarks	Qty	Model
-	914 613 306 18	steering column switch	75-	1	
-	914 613 306 18	steering column switch combined switch with steering lock ignition starter switch without lock cylinder	75-	1	
1	914 613 913 15	direction indicator switch		1	
2	914 613 915 15	wiper switch		1	
4	111 905 865 L	ignition starter switch		1	
5	914 613 932 00	spring washer		1	
6	914 613 931 00	pan-head screw		1	
7	111 953 575	spring		1	
8	111 953 573 A	pan-head screw		4	
9	911 347 771 02	ball bearing		1	
10	111 953 563 A	circlip		1	
11	N 010 802 2	oval-head screw		2	
12	111 953 553	valve windscreen washer system		1	
13	111 953 572	spacer sleeve		4	
14	914 347 903 02	lock cylinder with keys w/o stipulated lock number		1	
14	914 347 904 02	lock cylinder with keys state lock number		1	
15	111 953 631	terminal sleeve housing ignition starter switch		1	
16	111 953 635	terminal sleeve housing wiper switch		1	
17	111 953 633	terminal sleeve housing direction indicator switch		1	
18	N 014 707 4	pan-head screw M 8 X 16		2	
		- - - E N D - - -			

Model	Year	MG	SG	Illustration	Restrictions	Update	11:30	23.08.2006	PORSCHE	PET	PORSCHE
914	76	9	04	904-00		203					

Bis Ende Mod. 71

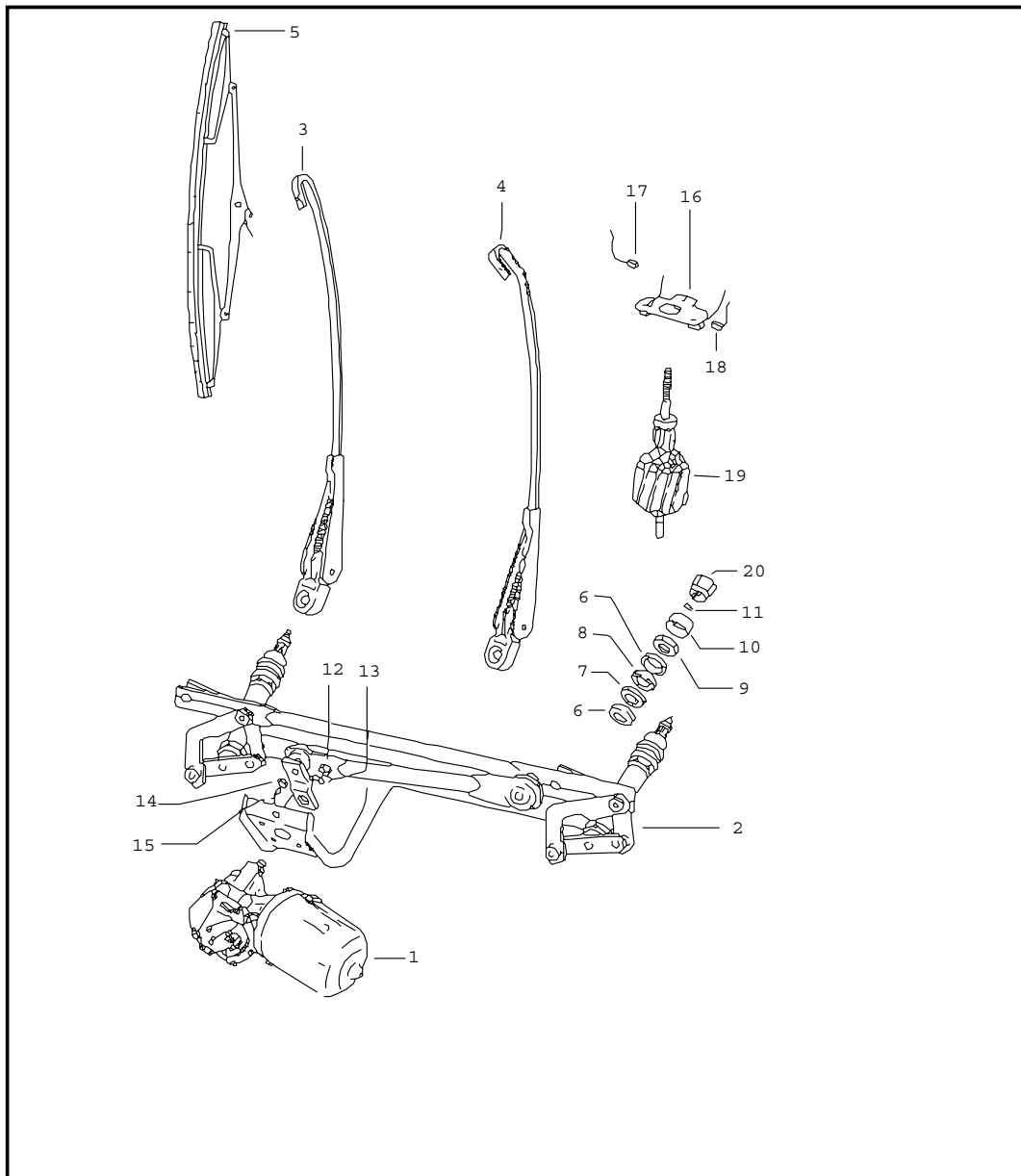


Pos	Part Number	Name	Remarks	Qty	Model
		windscreen wiper system	-71		914-6
-	914 628 011 01	windscreen wiper system complete without wiper arm wiper blade wiper switch	-71	1	
1	914 628 019 10	engine		1	
2	914 628 012 20	crank drive without engine ready for installation with picture 6 - 11 + 19		1	
3	914 628 313 10	wiper arm - SWF -	/L	1	
(3)	914 628 313 10	wiper arm - bosch -	/L	1	
4	914 628 314 10	wiper arm - SWF -	/R	1	
(4)	914 628 314 10	wiper arm - bosch -	/R	1	
5	914 628 311 10	wiper blade - SWF -		2	
(5)	914 628 311 10	wiper blade - bosch -		2	
6	901 628 922 00	washer		4	
7	901 628 923 01	rubber bush		2	
8	901 628 924 00	rubber bush		2	
9	901 628 925 00	hexagon nut		2	
10	901 628 926 00	cap		2	
11	901 628 927 00	spring washer		2	
12	900 076 010 02	hexagon nut M 6		2	
13	914 628 901 00	lock ring		1	
14	N 042 121 1	shake-proof washer J 6,4		2	

Model	Year	MG	SG	Illustration	Restrictions	Update	11:30	23.08.2006	PORSCHE	PET	PORSCHE
914	76	9	04	904-00		203					

Pos	Part Number	Name	Remarks	Qty	Model	Pos	Part Number	Name	Remarks	Qty	Model
15	900 075 010 02	hexagon-head bolt M 6 X 12		2							
16	914 628 906 00	wiper contact		2							
17	914 628 908 00	armature		1							
18	914 628 903 00	retainer plate		1							
19	901 628 341 00	cap nut for wiper arm mount		2							
-	914 628 113 00	rubber buffer		1							
-	900 028 008 01	spring washer B 6		1							
-	900 076 010 02	hexagon nut M 6		1							
		- - - E N D - - -									

Model	Year	MG	SG	Illustration	Restrictions	Update	11:31	23.08.2006	PORSCHE	PET	PORSCHE
914	76	9	04	904-05		203					

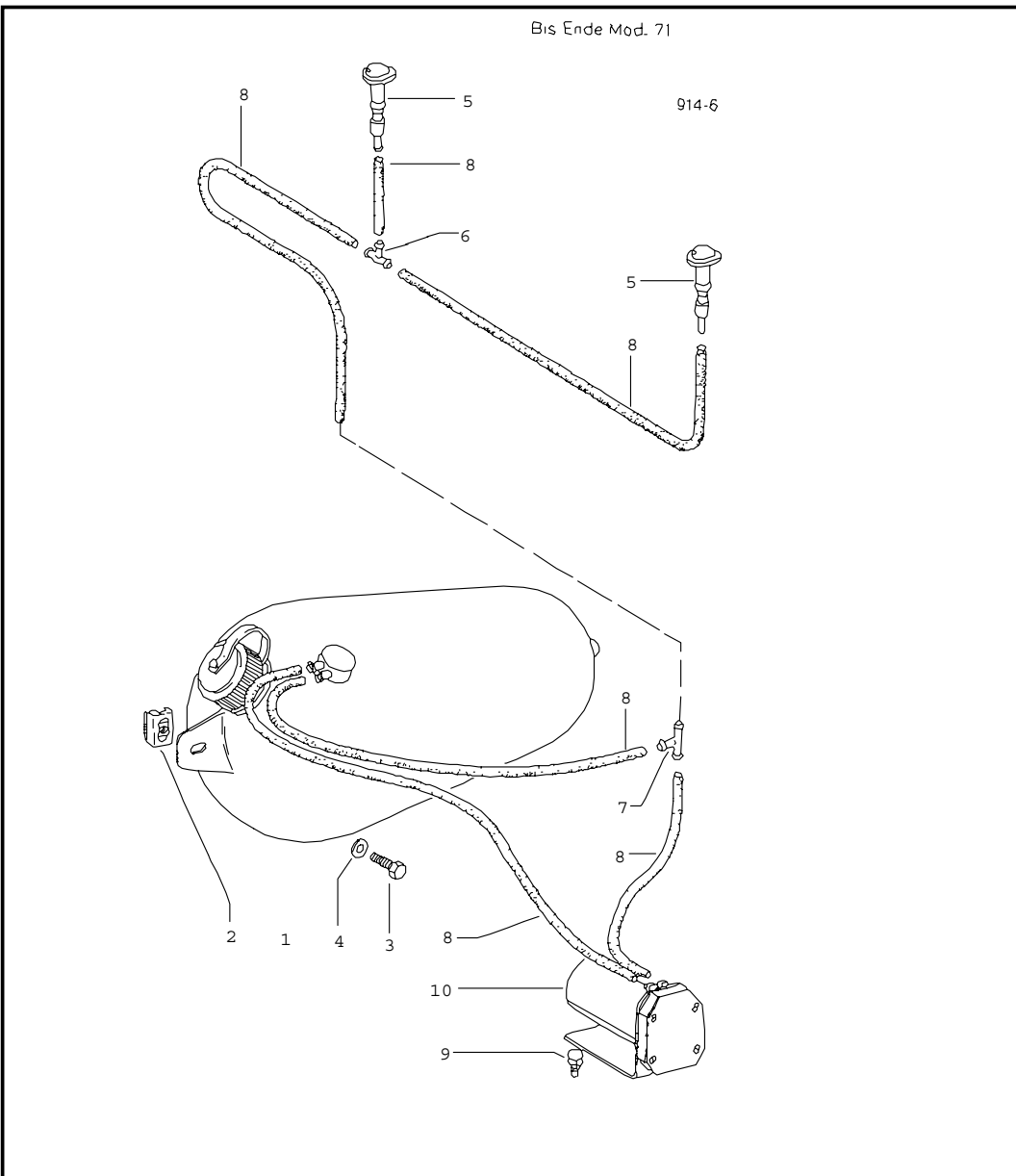


Pos	Part Number	Name	Remarks	Qty	Model
		windscreen wiper system	72-		914 914-6
-	914 628 015 11	windscreen wiper system complete without wiper arm wiper blade switch	-71	1	914-4
-	914 628 015 13	windscreen wiper system complete without wiper arm wiper blade switch	72-	1	
1	914 628 020 10	wiper motor	-71	1	914-4
(1)	914 628 020 13	wiper motor	72-	1	
2	914 628 011 20	windscreen wiper system crank drive without engine complete with picture 6 - 11 + 20		1	
3	914 628 313 10	wiper arm - SWF - installation instructions attention	/L	1	
4	914 628 314 10	wiper arm - SWF - installation instructions attention	/R	1	
5	914 628 311 10	wiper blade - SWF -		2	
6	901 628 922 00	washer		4	
7	901 628 923 01	rubber bush		2	
8	901 628 924 00	rubber bush		2	
9	901 628 925 00	hexagon nut		2	
10	901 628 926 00	cap		2	
11	901 628 927 00	spring washer		2	
12	900 076 010 02	hexagon nut M 6		1	

Model	Year	MG	SG	Illustration	Restrictions	Update	11:31	23.08.2006	PORSCHE	PET	PORSCHE
914	76	9	04	904-05		203					

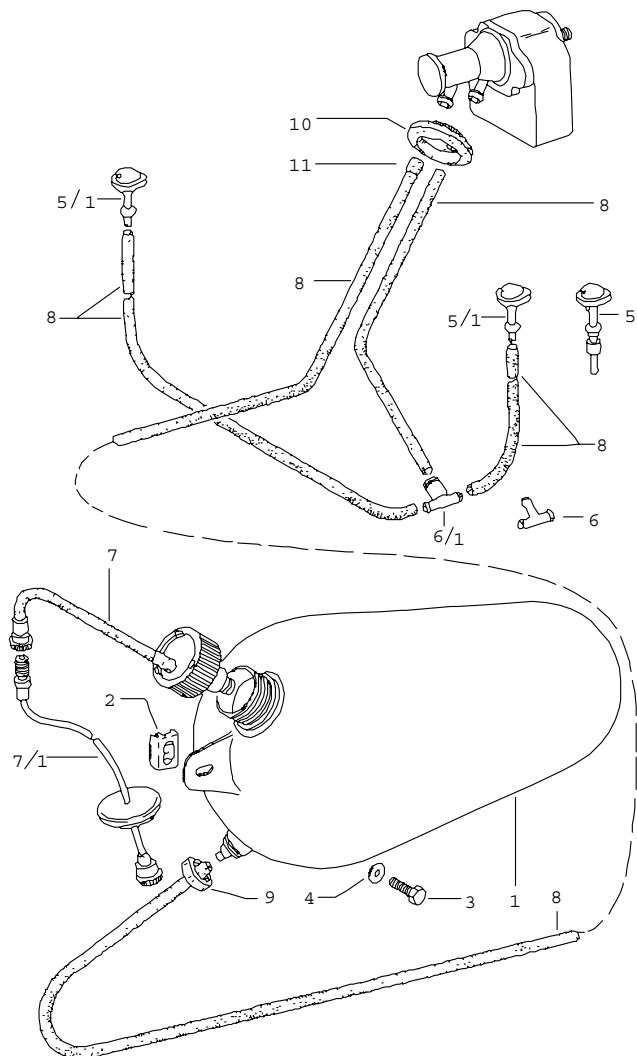
Pos	Part Number	Name	Remarks	Qty	Model	Pos	Part Number	Name	Remarks	Qty	Model
13	914 628 901 00	lock ring		1							
14	900 075 010 02	hexagon-head bolt M 6 X 12		1							
15	N 042 121 1	shake-proof washer J 6,4		1							
20	901 628 341 00	cap nut		2							
-	914 628 113 00	rubber buffer		1							
-	900 028 008 01	spring washer B 6		1							
-	900 076 010 02	hexagon nut M 6		1							
		- - - E N D - - -									

Model	Year	MG	SG	Illustration	Restrictions	Update	11:31	23.08.2006	PORSCHE	PET	PORSCHE
914	76	9	04	904-10		203					



Pos	Part Number	Name	Remarks	Qty	Model
		windscreen washer system	-71		914-6
1	914 628 080 10	container complete		1	
2	999 507 336 02	captive nut M 6		1	
3	N 010 215 13	hexagon-head bolt M 6 X 15		1	
4	900 151 006 09	washer A 6,4		1	
5	644 628 741 02	spray nozzle		2	
6	901 628 745 20	t-socket		1	
7	901 628 749 20	t-piece		1	
8	914 628 901 10	hose plastic material		* X	
9	914 628 741 00	plug		3	
10	928 628 074 01	pump electric for windscreen washer system 10 V		1	
- - - E N D - - -					

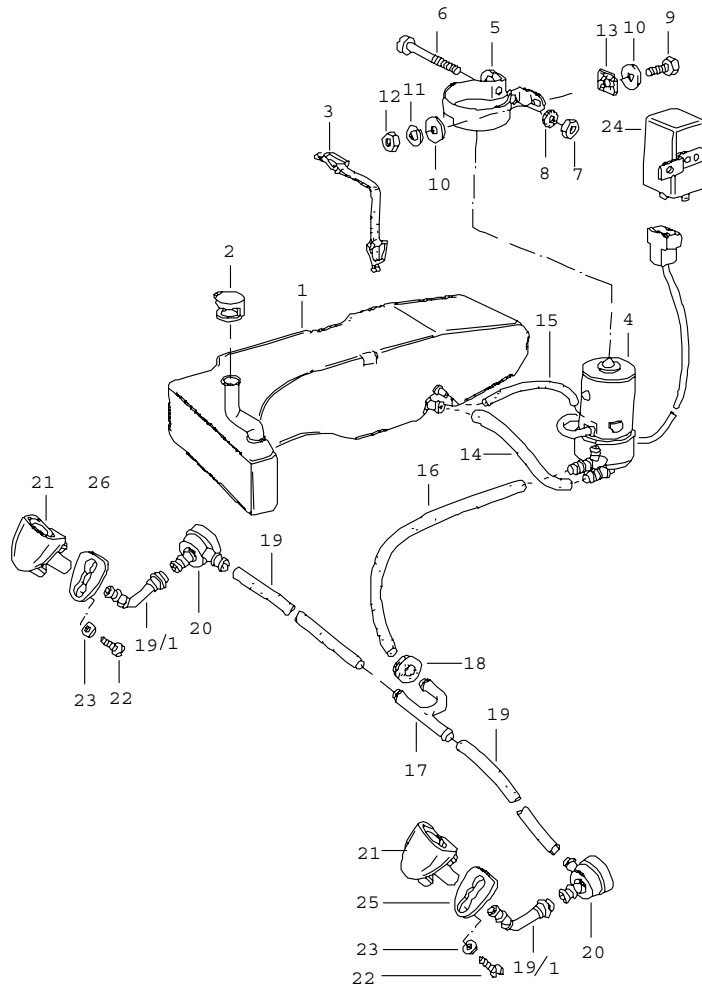
Model	Year	MG	SG	Illustration	Restrictions	Update	11:31	23.08.2006	PORSCHE	PET	PORSCHE
914	76	9	04	904-15		203					



Pos	Part Number	Name	Remarks	Qty	Model
		windscreen washer system			
(1)	914 628 075 12	container complete		1	
2	999 507 336 02	captive nut M 6		1	
3	N 010 215 13	hexagon-head bolt M 6 X 15		1	
4	900 151 006 09	washer A 6,4		1	
5	644 628 741 02	spray nozzle with valve F	>>47429 02453	2	
5/1	914 628 203 11	nozzle black F 47429 02454>>		2	914-1,8V/1,8 914-2,0
6	901 628 745 20	t-socket F	>>47429 02453	1	
6/1	914 628 433 00	valve with valve F 47429 02454>>		1	914-1,8V/1,8 914-2,0
7	914 628 022 10	hose container		1	
7/1	914 628 021 10	hose connecting piece emergency wheel		1	
8	914 628 901 11	hose		*	
9	113 955 481	union nut for hose		1	
10	914 628 191 10	rubber sleeve switch for windscreen wiper system see group 9/03/00		1	
11	111 971 521 A	hose protecting sleeve		X	
		- - - E N D - - -			

Model	Year	MG	SG	Illustration	Restrictions	Update	11:31	23.08.2006	PORSCHE	PET	PORSCHE
914	76	9	04	904-20		203					

As Mod. 74

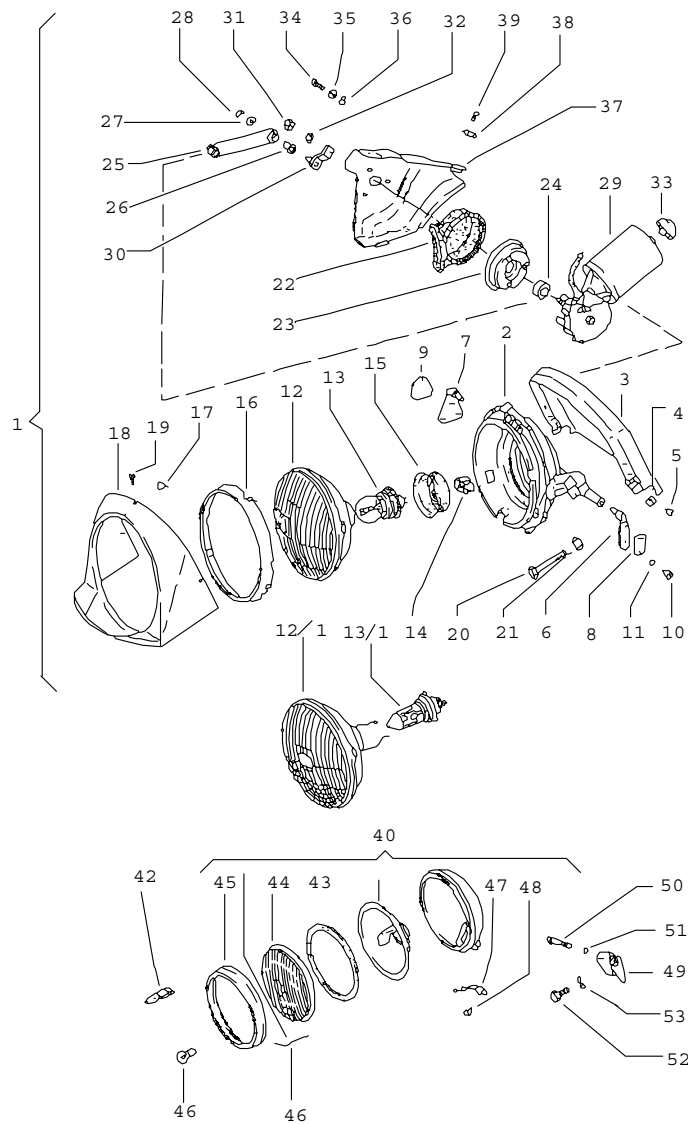


Pos	Part Number	Name	Remarks	Qty	Model
		headlight washer system	74-		
1	914 628 031 10	water reservoir		1	
2	911 628 167 00	cover		1	
3	914 628 035 10	restraining strap		1	
4	914 624 123 00	motor pump		1	
5	914 628 221 11	clip		1	
6	N 010 724 2	round head screw		1	
7	900 076 027 02	hexagon nut		1	
8	900 114 014 01	shake-proof washer		1	
9	N 010 215 13	hexagon-head bolt M 6 X 15		2	
10	900 151 029 02	washer B 6,4		4	
11	N 012 006 4	lock ring B 6		2	
12	900 076 010 02	hexagon nut M 6		2	
13	000 043 129 00	sealing strap 25 X 20 X 2		4	
14	914 628 417 10	hose water reservoir pump		1	
15	914 628 418 10	breather hose pump water reservoir		1	
16	914 628 419 10	hose 790 MM distributing piece pump		1	
17	914 628 413 10	distributing piece		1	
18	999 702 059 50	rubber sleeve		1	
19	914 628 421 12	hose 525 MM distributing piece pressure control valve		2	
19/1	911 628 809 00	connecting piece	75-	2	
20	113 955 187	nozzle		2	

Model	Year	MG	SG	Illustration	Restrictions	Update	11:31	23.08.2006	PORSCHE	PET	PORSCHE
914	76	9	04	904-20		203					

Pos	Part Number	Name	Remarks	Qty	Model	Pos	Part Number	Name	Remarks	Qty	Model
21	914 628 027 10	jet carrier		2							
(21)	914 628 027 11	jet carrier	75-	2							
22	N 011 380 1	pan-head tapping screw B 4,2 X 9,5		4							
23	N 012 224 3	spring washer B 4		4							
24	928 618 111 00	relay		1							
25	914 628 435 10	desk pad for jet carrier	/L 75-	1							
26	914 628 436 10	desk pad for jet carrier	/R 75-	1							
		- - - E N D - - -									

Model	Year	MG	SG	Illustration	Restrictions	Update	11:31	23.08.2006	PORSCHE	PET	PORSCHE
914	76	9	05	905-00		203					



Pos	Part Number	Name	Remarks	Qty	Model
1	914 750 903 11	headlamp pop-up headlight complete with driving mechanism without picture 12, 13, 15, 12/1, 13/1	/L	1	
(1)	914 750 904 11	pop-up headlight complete with driving mechanism without picture 12, 13, 15, 12/1, 13/1	/R	1	
2	914 631 011 10	mounting piece complete	/L	1	914-6
(2)	914 631 012 10	mounting piece complete	/R	1	914-6
(2)	914 631 011 10	mounting piece complete not for TYP 914-6	/L	1	
(2)	914 631 012 10	mounting piece complete not for TYP 914-6	/R	1	
-	914 631 901 10	headlamp adjusting screw with threaded piece		4	
3	914 750 131 10	housing upper part	/L	1	
(3)	914 750 132 10	housing upper part	/R	1	
4	999 591 338 02	speed nut		10	
5	N 013 958 7	tapping screw B 3,5 X 13		4	
6	914 750 165 10	bearing outer	-70	2	914-6/4
6	914 750 165 10	bearing bracket outer	71-	2	
7	914 750 271 10	bearing bracket inner	-70	2	914-6/4

Model	Year	MG	SG	Illustration	Restrictions	Update	11:31	23.08.2006	PORSCHE	PET	PORSCHE
914	76	9	05	905-00		203					

Pos	Part Number	Name	Remarks	Qty	Model	Pos	Part Number	Name	Remarks	Qty	Model
7	914 750 271 10	bearing bracket inner	71-	2		(16)	914 631 107 20	retaining ring black mat	75-	2	914-1,8V/1,8 914-2,0
8	914 750 167 10	plate outer		2		17	341 941 183 A	screw		6	
9	914 750 169 10	plate inner		2		17	341 941 183 A	oval-head screw AM 4 - 8		6	
10	N 014 750 3	pan-head screw M 6 X 10		10		18	914 750 225 11	cap	/L	1	
11	900 114 002 02	shake-proof washer J 6,4		10		(18)	914 750 226 11	cap	/R	1	
12	914 631 106 00	headlamp	/LL	2		19	900 145 004 02	rais. counters. h. tap. s. B 3,5 X 13		6	
(12)	914 631 164 00	insert asymmetrical not for 914-1,8	/RL	2		20	914 750 193 10	stop screw		2	
12/1	914 631 163 00	headlamp - HELLA - H 4	/LL	2	914-1,7/1,8V 914-2,0	(22)	914 750 266 10	sealing cap	/R	72-	1
12/1	914 631 163 00	headlamp - bosch - H 4	/LL:WW	2	914-1,7/1,8V 914-2,0	23	914 750 267 10	seal		72-	2
12/1	914 631 164 00	headlamp H 4	/RL	2	914-1,7/1,8V 914-2,0	24	914 750 277 10	sealing washer			2
13	900 631 109 90	bulb A 12 V - 45/40 ES white not for 914-1,8		2		25	914 750 185 11	push rod			2
(13)	999 631 109 90	bulb 12 V - 45/40 ES yellow		2	(F)	26	914 750 189 10	bearing sleeve			4
13/1	999 631 202 90	halogen bulb H 4		2	914-1,7/1,8V 914-2,0	27	914 750 191 10	washer			4
13/1	999 631 202 91	halogen bulb H 4 yellow	(F)	2	914-1,7/1,8V 914-2,0	28	900 116 007 01	lock washer 8			2
14	911 631 108 00	terminal sleeve housing 3-pole		2		29	914 624 113 11	engine for pop-up headlight	/R		1
15	901 631 123 01	rubber cap		2		(29)	914 624 114 11	engine for pop-up headlight	/L		1
16	914 031 107 20	retaining ring	-74	2		30	914 624 115 00	lever for engine			2
						31	914 624 118 00	hexagon nut M 6			2
						32	914 624 119 00	shake-proof washer			2
						33	914 624 117 00	knob for engine			2

Model	Year	MG	SG	Illustration	Restrictions	Update	11:31	23.08.2006	PORSCHE	PET	PORSCHE
914	76	9	05	905-00		203					

Pos	Part Number	Name	Remarks	Qty	Model	Pos	Part Number	Name	Remarks	Qty	Model
34	900 067 008 02	pan-head screw M 6 X 12		6		42	900 631 126 90	halogen bulb H 3 YC 6/12 V - 55 W not for 914-1,8	M	2	
35	N 011 524 7	washer B 6,4		6							
36	N 012 007 2	lock ring A 6		6		(42)	900 631 125 90	halogen bulb H 1 VA 12 V - 55 W not for 914-1,8	M	2	
37	914 750 195 10	protection cap	/L	1							
(37)	914 750 196 10	protection cap	/R	1							
38	999 591 331 02	speed nut B 4,2		4		(43)	914 631 923 10	gasket for high-beam headlight and fog headlamp not for 914-1,8	M	2	
39	900 143 007 02	tapping screw B 4,2 X 13		4							
40	914 631 131 10	high-beam headlight H 3 white without bulb not for 914-1,8	-74 M	2		(44)	914 631 922 10	light-diffusing lens white for H 3 + H 1 high-beam headlight not for 914-1,8	M	2	
(40)	911 631 121 10	high-beam headlight H 3 yellow without bulb	-74 M	2	(F)	(44)	914 631 930 10	light-diffusing lens yellow for H 3 high-beam headlight not for 914-1,8	M	2	
(40)	914 631 133 10	high-beam headlight H 1 white without bulb	-74 M	2	(I)	(44)	914 631 952 10	light-diffusing lens white for H 3 + H 1 fog headlamp not for 914-1,8	M	2	
(40)	914 631 136 10	fog headlamp H 3 white without bulb not for (F)	-74 M	2		-	914 631 976 00	reflector with light-diffusing lens for high-beam headlight 914.631.131.10 not for 914-1,8	M	2	
(40)	914 631 137 10	fog headlamp H 3 yellow without bulb	-74 M	2	(F)						
(40)	914 631 138 10	fog headlamp H 1 white without bulb	-74 M	2	(I)						

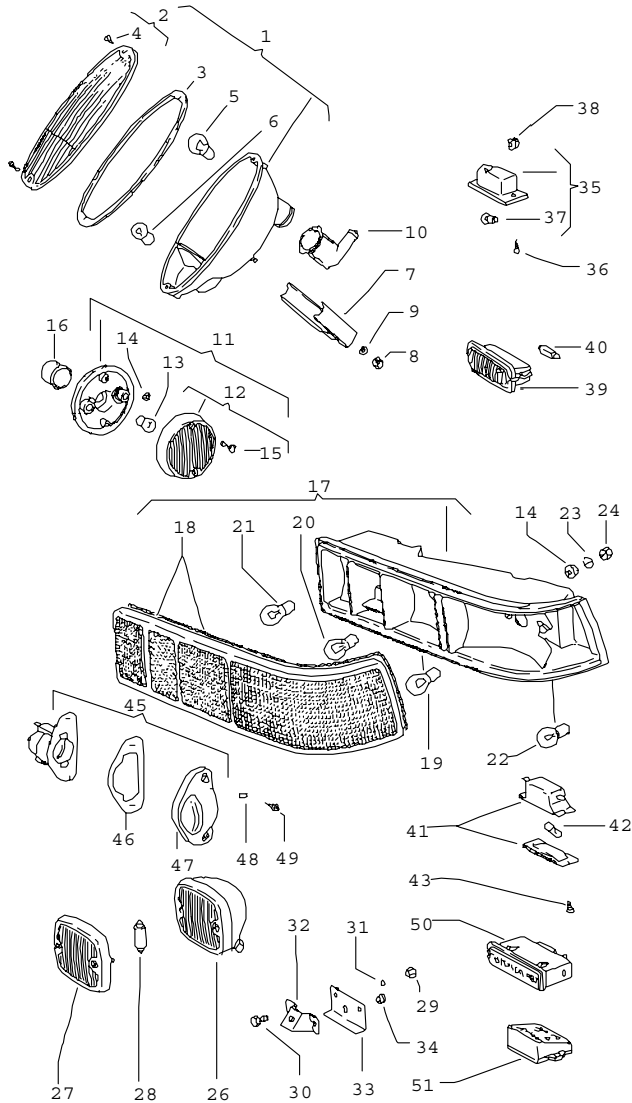
Model	Year	MG	SG	Illustration	Restrictions	Update	11:31	23.08.2006	PORSCHE	PET	PORSCHE
914	76	9	05	905-00		203					

Pos	Part Number	Name	Remarks	Qty	Model	Pos	Part Number	Name	Remarks	Qty	Model
-	914 631 977 00	reflector with light-diffusing lens for fog headlamp 914.631.136.10 not for 914-1,8	M	2		-	914 631 185 00	high-beam headlight light-diffusing lens yellow	M	2	914-1,8V/2,0 (F)
						-	914 631 181 00	fog headlamp	M	2	914-1,8V/1,8 914-2,0
45	914 631 925 10	retaining ring	M	2		- A	481 941 719	washer for fog headlamp 914.631.181.00		2	914-1,8V/1,8 914-2,0
46	914 631 924 10	tensioning spring	M	8		-	481 941 719	light-diffusing lens for fog headlamp 914.631.181.00		2	914-1,8V/1,8 914-2,0
47	914 631 961 10	retainer spring	M	2		-	914 631 974 00	retaining ring with screw		2	914-1,8V/1,8 914-2,0
48	914 631 920 10	oval-head screw AM 4 X 10	M	2		-	481 941 713	retaining ring with screw		2	914-1,8V/1,8 914-2,0
49	914 631 029 10	support	/L M	1		-	481 941 715	gasket		2	914-1,8V/1,8 914-2,0
(49)	914 631 030 10	support	/R M	1		-	914 631 182 00	fog headlamp light-diffusing lens yellow not for (J)	M	2	914-1,8V/2,0
50	900 074 134 02	hexagon-head bolt M 8 X 45	M	2		-	900 631 126 90	halogen bulb H 3 YC 12 V - 55 W		2	914-1,8V/1,8 914-2,0
51	N 012 241 1	spring washer B 8 X 15	M	2		-	914 631 188 00	hexagon nut M 8		2	914-1,8V/1,8 914-2,0
52	900 186 125 02	pan-head screw M 10 X 16	M	2		-	914 631 187 00	threaded bolt		2	914-1,8V/1,8 914-2,0
53	N 012 230 1	spring washer B 10 additional headlamp bumper front	M 75-	2		-	914 631 186 00	holder		2	914-1,8V/1,8 914-2,0
-	914 631 184 00	high-beam headlight		2	914-1,8V/1,8 914-2,0	-	914 631 195 00	threaded bolt		2	914-1,8V/1,8 914-2,0
-	914 631 969 00	light-diffusing lens for high-beam headlight 914.631.184.00		2	914-1,8V/1,8 914-2,0	-	N 011 010 6	hexagon nut M 10		2	914-1,8V/1,8 914-2,0
-	914 631 974 00	retaining ring with screw		2	914-1,8V/1,8 914-2,0	-	900 025 008 02	washer A 10,5		2	914-1,8V/1,8 914-2,0
-	481 941 713	retaining ring with screw		2	914-1,8V/1,8 914-2,0	-	900 027 016 02	lock ring B 10		2	914-1,8V/1,8 914-2,0
- A	914 631 975 00	gasket		2	914-1,8V/1,8 914-2,0						
-	481 941 715	gasket		2	914-1,8V/1,8 914-2,0						

Model	Year	MG	SG	Illustration	Restrictions	Update					
914	76	9	05	905-00		203	11:31	23.08.2006	PORSCHE	PET	PORSCHE

Pos	Part Number	Name	Remarks	Qty	Model	Pos	Part Number	Name	Remarks	Qty	Model
		- - - E N D - - -									

Model	Year	MG	SG	Illustration	Restrictions	Update	11:32	23.08.2006	PORSCHE	PET	PORSCHE
914	76	9	05	905-05		203					

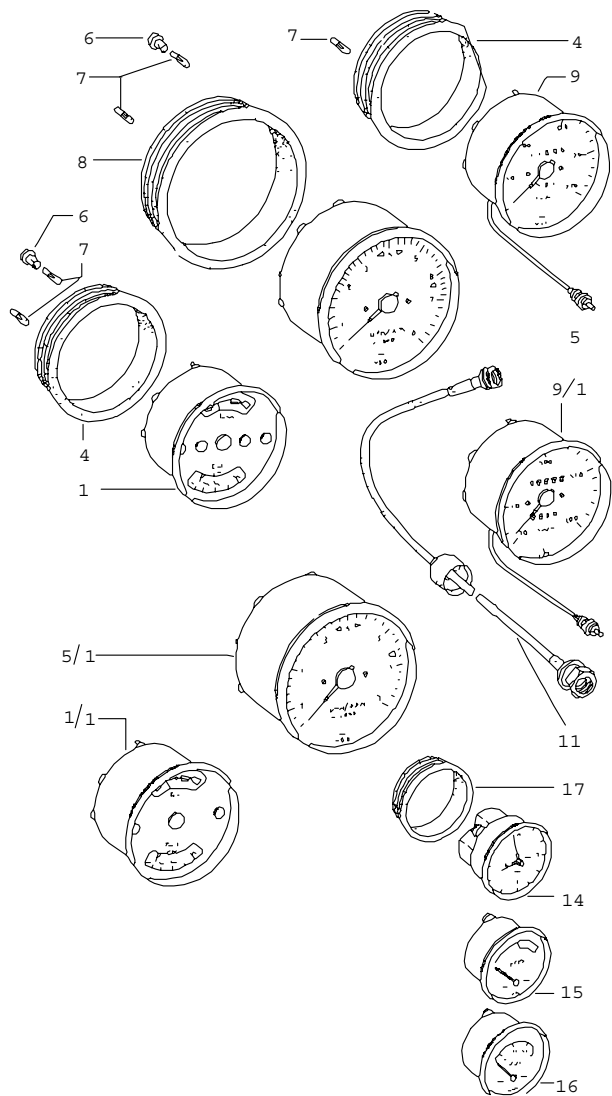


Pos	Part Number	Name	Remarks	Qty	Model
		lights			
1	PCG 631 401 10	position light not for (I)		2	
(1)	914 631 401 12	direction indicator light		2	(I)
2	914 631 937 10	lens not for (I)		2	
(2)	914 631 936 12	lens		2	(I)
3	914 631 957 10	rubber seal		2	
4	914 631 958 10	oval-head screw		4	
5	900 631 127 90	bulb RL 12 V - 21 W		2	
(5)	900 631 128 90	bulb SL 12 V - 21 W / 5 W		2	(I) (USA)
(5)	999 631 115 90	bulb 12 V, 32/3 CP	WW	2	(I) (USA)
6	900 631 104 90	bulb G 12 V, 5 W		2	
7	914 631 215 10	clamp		2	
8	900 045 005 02	hexagon nut M 6		2	
9	N 042 121 1	shake-proof washer J 6,4		2	
10	914 631 217 10	grommet		2	
(11)	914 631 409 00	side marker light	/L	1	(I) (DK)
(11)	914 631 406 00	side marker light	/R	1	(I) (DK)
(12)	-	lens	/L	1	(I) (DK)
(12)	-	lens	/R	1	(I) (DK)
13	900 631 103 90	bulb HL 12 V, 4 W		2	(I) (DK)
14	914 631 910 00	rubber washer 3,5		4	
15	914 631 909 00	oval-head screw BM 4 X 17 X 8		4	
16	914 631 218 10	protection cap		2	

Model	Year	MG	SG	Illustration	Restrictions	Update	11:32	23.08.2006	PORSCHE	PET	PORSCHE
914	76	9	05	905-05		203					

Pos	Part Number	Name	Remarks	Qty	Model	Pos	Part Number	Name	Remarks	Qty	Model
(17)	914 631 403 13	rear light	/L	1		31	N 042 121 1	shake-proof washer J 6,4	M	2	
(17)	914 631 404 13	rear light	/R	1		32	914 631 161 10	support	M	1	
(17)	914 631 403 12	rear light	/L	1	(F)	33	914 631 162 10	desk pad	M	1	
(17)	914 631 404 12	rear light	/R	1	(F)	34	999 702 011 50	rubber sleeve	M	1	
(18)	914 631 403 13	rear light	/L	1		35	914 631 601 00	license plate light complete	-74	2	
18	914 631 950 10	lens	/R	1		36	900 143 016 02	oval-head sheetmetal screw B 3,5 X 16	-74	4	
(18)	914 631 947 12	lens	/L	1	(F)	37	900 631 103 90	bulb HL 12 V, 4 W	-74	2	
(18)	914 631 948 12	lens	/R	1	(F)	38	111 971 911 A	rubber sleeve	-74	2	
19	900 631 127 90	bulb RL 12 V, 21 W		2		39	111 947 111 D	interior light		1	
20	900 631 128 90	bulb SL 12 V, 21 / 5 W		2		40	900 631 106 90	linolite lamp K 12 V, 10 W		1	
21	900 631 110 90	bulb E 12 V, 25 W		2	914-6/4	41	901 631 601 00	luggage boot lamp		1	
(21)	900 631 127 90	bulb RL 12 V, 21 W not for (F)		2	914-1,7/1,8V 914-1,8/2,0	42	900 631 103 90	bulb HL 12 V, 4 W		1	
(21)	900 631 131 90	bulb 12 V, 21W yellow	(F)	2	914-1,7/1,8V 914-2,0	43	900 146 011 02	oval-head screw AM 4 X 10		2	
23	N 042 121 1	shake-proof washer J 6,4		8		45	911 631 620 04	license plate light	75-	2	
24	900 045 005 02	hexagon nut M 6		8		46	911 631 608 00	gasket	75-	2	
25	999 704 107 50	shim		8		-	900 631 104 90	bulb G 12 V - 5 W	75-	2	
26	901 631 251 00	rear fog light picture 26 - 34 not for 914-1,8	M	1		47	911 631 606 00	lens	75-	2	
27	911 631 251 29	rear fog light	M	1		48	911 631 604 00	sealing washer	75-	4	
28	900 631 123 90	linolite lamp K 12 V, 18 W	M	1		49	N 013 944 3	tapping screw BZ 2,9 X 19	75-	4	
29	900 076 010 02	hexagon nut M 6	M	2				- - - E N D - - -			
30	900 075 159 02	hexagon-head bolt M 6 X 12	M	2							

Model	Year	MG	SG	Illustration	Restrictions	Update	11:32	23.08.2006	PORSCHE	PET	PORSCHE
914	76	9	06	906-00		203					



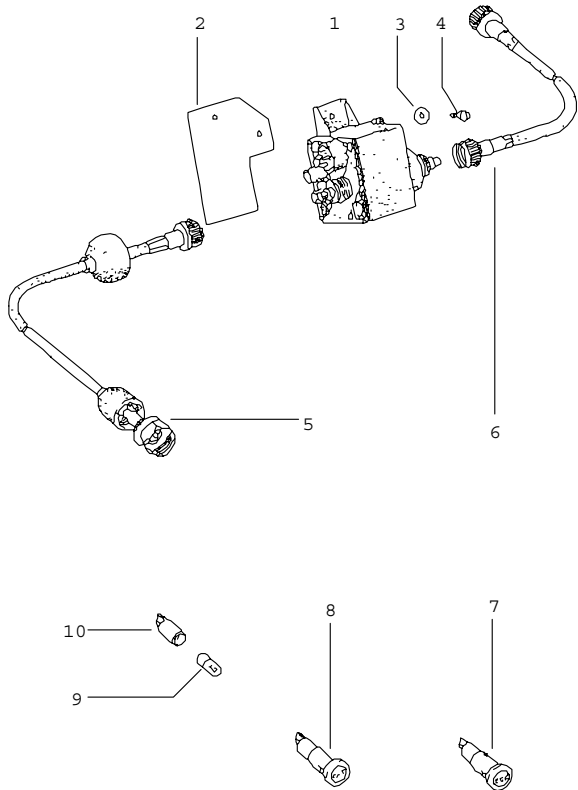
Pos	Part Number	Name	Remarks	Qty	Model
		instruments			
1	914 641 101 20	instrument cluster		1	914-6
(1)	914 641 101 30	instrument cluster for cars without centre console		1	914-2,0
(1)	914 641 101 50	instrument cluster for cars without centre console	74-	1	914-2,0
1/1	914 641 102 40	instrument cluster	-73	1	914-4/1,7
1/1	914 641 102 40	instrument cluster	-73 M	1	914-2,0
(1/1)	914 641 102 50	instrument cluster	74-	1	914-1,8V/1,8
(1/1)	914 641 102 50	instrument cluster	74- M	1	914-2,0
-	914 631 179 10	bulb holder 2-pole for instrument cluster		3	914-1,8V/1,8 914-2,0
4	911 641 902 00	rubber ring \$ 100		2	
5	914 641 301 10	tachometer		1	914-6
5/1	914 641 302 10	tachometer	-73	1	914-4/1,7 914-2,0
(5/1)	914 641 302 12	tachometer	74-	1	914-1,8V/1,8 914-2,0
6	999 632 009 10	bulb holder 2-pole for instrument cluster		4	
7	900 631 102 90	bulb 12 V - 2 W		13	
8	911 641 903 00	rubber ring \$ 115		1	
9	911 641 501 00	speedometer KM/H for tyre 165 X 15		1	914-6
(9)	911 641 506 00	speedometer MPH		1	914-6

Model	Year	MG	SG	Illustration	Restrictions	Update	11:32	23.08.2006	PORSCHE	PET	PORSCHE
914	76	9	06	906-00		203					

Pos	Part Number	Name	Remarks	Qty	Model	Pos	Part Number	Name	Remarks	Qty	Model
9/1	914 641 502 10	speedometer KM/H for tyre 155 X 15		1	914-1,7	-	999 513 008 40	tie-wrap 100		1	
(9/1)	914 641 503 11	speedometer MPH for tyre 155 X 15		1	914-1,7	14	914 641 119 10	clock	M	1	914-1,7/1,8V 914-1,8/2,0
(9/1)	914 641 504 10	speedometer KM/H for tyre 165 X 15		1	914-4/1,7	15	914 641 118 20	oil temperature gauge	-73 M	1	914-1,7/2,0
(9)	914 641 504 20	speedometer KM/H	-73	1	914-2,0	(15)	914 641 118 30	oil temperature gauge	74- M	1	914-1,8V/1,8 914-2,0
(9)	914 641 504 30	speedometer KM/H not for	74-	1	914-1,8V/2,0 (J)	16	914 641 115 10	indicator battery	M	1	914-1,7/1,8V 914-1,8/2,0
(9)	914 641 507 00	speedometer KM/H	(J)	1	914-1,8/2,0	17	911 641 909 00	rubber ring \$ 60	M	3	914-1,7/1,8V 914-1,8/2,0
-	999 632 017 02	bulb holder single pole for speedometer position light		1	914-1,8V/1,8 914-2,0	-	914 641 121 00	knob for tripmeter		1	
-	111 957 397	bulb holder for speedometer		2	914-1,8V/1,8 914-2,0						
-	900 631 102 90	bulb for speedometer		2	914-1,8V/1,8 914-2,0						
(9/1)	914 641 505 20	speedometer MPH for tyre 165 X 15		1	914-4						
(9/1)	914 641 505 20	speedometer MPH	-73	1	914-4/1,7 914-2,0						
(9)	914 641 505 30	speedometer MPH	74-	1	914-1,8/2,0						
11	914 641 111 00	drive shaft 3530 MM		1							

Model	Year	MG	SG	Illustration	Restrictions	Update	11:32	23.08.2006	PORSCHE	PET	PORSCHE
914	76	9	09	909-00		203					

Ab Mo. 75



Pos	Part Number	Name	Remarks	Qty	Model
		catalytic converter counter switch indicator light	75-		914-1,8/2,0
2	914 641 124 10	desk pad		1	
3	N 011 692 1	washer 5,1		2	
4	N 013 968 3	tapping screw B 4,8 X 13		2	
5	914 641 111 10	drive shaft 2620 MM transmission counter switch		1	
6	914 641 111 20	drive shaft 1350 MM speedometer counter switch		1	
7	914 632 113 10	indicator light (EGR) for exhaust gas recirculation		1	
8	914 632 113 20	indicator light (CAT) for catalytic converter		1	
9	900 631 129 90	bulb W 12 V - 1,2 W		2	
10	111 919 243	bulb holder		2	
-	043 906 086	switch unit for catalytic converter		1	
-	473 867 471	sealing ring		1	
-	N 013 970 5	tapping screw B 4,8 X 9,5		1	
-	914 612 109 20	harness with relay carrier		1	
-	914 618 109 10	temperature sensor for catalytic converter		1	
		- - - E N D - - -			

Model	Year	MG	SG	Illustration	Restrictions	Update	11:32	23.08.2006
914	76	9	98	998-00		203		

Pos	Part Number	Name	Remarks	Qty	Model
>>	> 914 645 909 10	accessories radio fog headlamp headlamp H 4 installation set for - BLAUPUNKT - radio without radio antenna suppression set		1	914-6
-	914 645 911 00	suppression set for - BLAUPUNKT - radio		1	914-6
-	914 645 503 10	loudspeaker 8 OHM		2	914-6
>>	> 473 035 605	accessories for - VW - car radio not for TYP 914-6 installation set comprising:		1	
-	914 645 503 10	loudspeaker 8 OHM		2	
-	914 612 055 10	cable for loudspeaker NR. 22		1	
-	900 189 011 02	half-round screw AM 4 X 8		8	
-	900 025 002 02	washer 4,3		8	
-	999 025 106 50	rubber washer 10 X 3,8 X 4		8	
-	N 010 205 6	hexagon-head bolt M 5 X 10		1	
-	N 012 225 2	spring washer B 5		1	
-	999 507 320 02	klips nut lock M 5		1	
-	N 021 196 1	lock nut M 5		1	
-	900 025 003 02	washer A 5,3		1	

Model	Year	MG	SG	Illustration	Restrictions	Update	11:32	23.08.2006
914	76	9	98	998-00		203		

Pos	Part Number	Name	Remarks	Qty	Model
-	914 645 159 10	support for radio		1	
-	914 612 053 10	wiring harness NR. 21		1	
-	914 552 040 10	cover		1	
-	111 971 911 A	rubber sleeve		2	
>>	> 473 035 655	suppression set for car radio WOLFSBURG EMDEN BRAUNSCHWEIG HANNOVER not for TYP 914-6 comprising:		1	
-	111 035 267 A	suppressor condenser for ignition coil		1	
-	411 035 265	suppressor condenser		1	
-	036 035 281	suppressor cap		5	
-	043 903 803 B	regulator switch shielded		1	
-	914 612 141 10	ground strap engine lid hinge		1	
>>	> 914 631 963 00	headlamp H 4 reconstruction set not for TYP 914-1,8 comprising:	/LL M	1	
-	914 631 163 00	insert		2	
-	999 631 202 90	halogen bulb white		2	
-	911 631 108 00	terminal sleeve housing triple		2	
-	901 631 123 02	rubber cap		2	
>>	> 914 631 963 01	headlamp H 4 reconstruction set not for TYP 914-1,8 comprising:	/LL M	1	(F)

PORSCHE

PET

PORSCHE

Model	Year	MG	SG	Illustration	Restrictions	Update		
914	76	9	98	998-00		203	11:32	23.08.2006

Pos	Part Number	Name	Remarks	Qty	Model
-	914 631 163 00	headlamp		2	
-	999 631 202 91	halogen bulb yellow		2	
-	911 631 108 00	clutch triple		2	
-	901 631 123 02	rubber cap		2	
		- - - E N D - - -			

Model	Year	MG	SG	Illustration	VIN No.	Update		
914	76	9	98	998		203	11:35	23.08.2006

TR203

THIS PARTS CATALOGUE CONTAINS ALL ORDER INFORMATION OF
TYPES 914 FROM MODEL YEAR 1970 - 1976
914-6 FROM MODEL YEAR 1972 - 1972

IT IS AVAILABLE IN TWO EDITIONS IN THE FOLLOWING LANGUAGES:

EDITION

USA, CANADA - *

EDITION

ALL OTHER COUNTRIES - GERMAN

* - ENGLISH

- FRENCH

- ITALIAN

- SPANISH

UPDATING IS BEING PERFORMED BY CHANGING OF UPDATE.

THE EDITION CAN BE RECOGNIZED BY THE CURRENT NO.
IN THE BOTTOM LINE OF SUBJECT UPDATE.

THE PREVIOUS UPDATE SHOULD NO LONGER BE USED.

ALL ILLUSTRATIONS ARE SUBJECT TO CHANGE WITHOUT OBLIGATION.

WE RESERVE THE RIGHT TO SUPPLY A SUBSEQUENTLY
PRODUCED COMPONENT, ON WHICH ADDITIONAL WORK
IS NECESSARY, INSTEAD OF THE COMPONENT LISTED IN
THE CATALOGUE

PET V-Pages

Model	Year	MG	SG	Illustration	VIN No.	Update		
914	76	9	98	998		203	11:35	23.08.2006

TR006

EXPLANATION OF THE ABRIDGED VERSION OF THE VEHICLE IDENT. NUMBERS (VIN)
 =====
 USED IN THE CATALOGUE TYPE 914
 =====

DIGIT:		1	2	3	4	5	6	7	8	9	10
EXAMPLE:		4	7	0	2	9	0	0	0	0	1
		===	=		===						
		!	!	!					!		
VEHICLE TYPE-----	+		!	!					!		
			!	!					!		
MODEL YEAR-----	+								!		
									!		
INDEX OF VARIANTS-----	+								!		
									!		
SERIAL NUMBER-----	+								!		

EXPLANATION OF THE ABRIDGED VERSION OF THE VEHICLE IDENT. NUMBERS (VIN)
 =====
 USED IN THE CATALOGUE TYPE 914/6
 =====

DIGIT:		1	2	3	4	5	6	7	8	9	10
EXAMPLE:		9	1	4	0	4	3	0	0	0	1
		=====	=	=							
		!	!	!					!		
VEHICLE TYPE-----	+								!		
			!	!					!		
MODEL YEAR-----	+								!		
									!		
BODY AND ENGINE VERSION-----	+								!		
									!		
SERIAL NUMBER-----	+								!		

PET V-Pages

Model	Year	MG	SG	Illustration	VIN No.	Update		
914	76	9	98	998		203	11:35	23.08.2006

FR006

VEHICLE TYPE	MY	VEHICLE IDENT NR.	ENGINE TYPE
914	70 0	47029 00001>>	022
914-6	70 0	91404 30001>>	901.36/37
914-6 (USA)	70 0	91404 30001>>	901.38/39
914	71 1	47129 00001>>	022
914-6	71 1	91414 30001>>	901.36/37
914-6 (USA)	71 1	91414 30001>>	901.38/39
914	72 2	47229 00001>>	022
914-6 (USA)	72 2	91424 30001>>	901.38
914-1.7	73 3	47329 00001>>	022
914-2.0	73 3	47329 00001>>	039
914-1.8	74 4	47429 00001>>	022
914-1.8V	74 4	47429 00001>>	021
914-2.0	74 4	47429 00001>>	039
914-1.8	75 5	47529 00001>>	022
914-1.8V	75 5	47529 00001>>	021
914-2.0	75 5	47529 00001>>	039
914-1.8	76 6	47629 00001>>	022
914-1.8V	76 6	47629 00001>>	021
914-2.0	76 6	47629 00001>>	039

PET V-Pages

Model	Year	MG	SG	Illustration	VIN No.	Update		
914	76	9	98	998		203	11:35	23.08.2006

TR006

EXPLANATION OF THE MOTOR-NUMBERS USED IN THE CATALOGUE TYPE 914

```

=====
DIGIT:                1 2 3 4 5 6 7 8 9
EXAMPLE:              E A 0 0 0 0 3 9 1
                      ==  =====
                      !           !
IDENTIFICATION LETTERS-----+           !
SERIAL NUMBER-----+           !
    
```

EXPLANATION OF THE MOTOR-NUMBERS USED IN THE CATALOGUE 914/6

```

=====
DIGIT:                1 2 3 4 5 6 7
EXAMPLE:              6 4 0 0 3 9 1
                      = = =  =====
                      ! ! !           !
ENGINE TYPE (6 = 6-CYL.-ENGINE)-----+ ! !           !
                      ! !           !
ENGINE VERSION-----+ !           !
                      !           !
MODEL YEAR-----+           !
                      !           !
SERIAL NUMBER-----+
    
```

PET V-Pages

Model	Year	MG	SG	Illustration	VIN No.	Update	11:35	23.08.2006
914	76	9	98	998		203		

MR006

VEHICLE TYPE	ENGINE			TECHNICAL DATA
	TYPE	MY	ENGINE NO.	
914	022	70 0	W0 000 001 >>	4CYL/1,7L/59KW
914-6	901.36	70 0	640 0001 >>	6CYL/2,0L/81KW
914-6 SPM	901.37	70 0	640 3001 >>	6CYL/2,0L/81KW
914-6 (USA)	901.38	70 0	640 4001 >>	6CYL/2,0L/81KW
914-6 (USA) SPM	901.39	70 0	640 7001 >>	6CYL/2,0L/81KW
914	022	71 1	W 057461 >>	4CYL/1,7L/59KW
914-6	901.36	71 1	641 0001 >>	6CYL/2,0L/81KW
914-6 SPM	901.37	71 1	641 3001 >>	6CYL/2,0L/81KW
914-6 (USA)	901.38	71 1	641 4001 >>	6CYL/2,0L/81KW
914-6 (USA) SPM	901.39	71 1	641 7001 >>	6CYL/2,0L/81KW
914	022	72 2	W0 129 582 >>	4CYL/1,7L/59KW
914	022	72 2	EA0 000 001>>	4CYL/1,7L/59KW
914-6 (USA)	901.38	72 2	642 0001 >>	6CYL/2,0L/81KW
914	022	73 3	W0 170 001 >>	4CYL/1,7L/59KW
914 (USA)	022	73 3	EA0 057001 >>	4CYL/1,7L/59KW
914 (CAL)	022	73 3	EB0 000 001>>	4CYL/1,7L/53KW
914-2,0 (USA)	039	73 3	GA0 000 001>>	4CYL/2,0L/70KW
914-2,0	039	73 3	GB0 000 001>>	4CYL/2,0L/74KW
914-1,8V	021	74 4	AN0 000 001>>	4CYL/1,8L/63KW
914-1.8 (USA) (CAL)	022	74 4	EC0 000 001>>	4CYL/1.8L/56KW
914-2,0 (USA)	039	74 4	GA0 006 766>>	4CYL/2,0L/70KW
914-2,0	039	74 4	GB0 007 402>>	4CYL/2,0L/74KW
914-1,8V	021	75 5	AN0 008 798>>	4CYL/1,8L/63KW
914-1,8 (USA) (CAL)	022	75 5	EC0 037 552>>	4CYL/1,8L/56KW
914-2,0	039	75 5	GB0 009 822>>	4CYL/2,0L/74KW
914-2,0 (USA) (CAL)	039	75 5	GCO 000 001>>	4CYL/2,0L/65KW
914-1,8V	021	76 6	AN0 008 899>>	4CYL/1,8L/63KW
914-1,8 (USA) (CAL)	022	76 6	EC0 045 073>>	4CYL/1,8L/56KW
914-2,0	039	76 6	GB0 010 779>>	4CYL/2,0L/74KW
914-2,0	039	76 6	GCO 002 915>>	4CYL/2,0L/65KW

PET V-Pages

Model	Year	MG	SG	Illustration	VIN No.	Update		
914	76	9	98	998		203	11:35	23.08.2006

TR006

EXPLANATION OF THE TRANSMISSION-NUMBERS USED IN THE CATALOGUE TYPE 914

=====

UP TO MODEL YEAR 1973

=====

```

DIGIT:                1  2  3  4  5  6  7  8  9
EXAMPLE:              H  A  0  0  0  0  3  9  1
                    =  =  =  =  =  =  =  =  =
TRANSMISSION TYPE-----+  !  !  !  !  !  !  !
TRANSMISSION VERSION-----+  !  !  !  !  !
SERIAL NUMBER-----+
    
```

EXPLANATION OF THE TRANSMISSION-NUMBERS USED IN THE CATALOGUE TYPE 914

=====

FROM MODEL YEAR 1974

=====

```

DIGIT:                1  2  3  4  5  6  7
EXAMPLE:              H  A  0  8  1  2  4
                    =  =  =  =  =  =  =
TRANSMISSION TYPE-----+  !  !  !  !  !
TRANSMISSION VERSION-----+  !  !  !  !
MANUFACTURING DAY-----+  !  !  !
MANUFACTURING MONTH-----+  !  !
MANUFACTURING YEAR-----+
    
```

EXPLANATION OF THE TRANSMISSION-NUMBERS USED IN THE CATALOGUE TYPE 914/6

```

DIGIT:                1  2  3  4  5  6  7
EXAMPLE:              7  5  0  0  3  9  1
                    =  =  =  =  =  =  =
TRANSMISSION TYPE-----+  !  !  !  !
TRANSMISSION VERSION-----+  !  !  !
MODEL YEAR-----+  !  !
SERIAL NUMBER-----+
    
```

PET V-Pages

Model	Year	MG	SG	Illustration	VIN No.	Update		
914	76	9	98	998		203	11:35	23.08.2006

GR006

VEHICLE TYPE	TRANSM. TYPE	MY	TRANSMISSION NO.	TECHNICAL DATA
914	914. 300.11	70 0	HA0 000 001>>	5-SPEED
914	914. 300.11	70 0	HB0 000 001>>	5-SPEED (LIM. SLIP DIFFERENTIAL)
914-6	914. 300.01	70 0	750 0001 >>	5-SPEED
914-6	914. 300.05	70 0	780 0001 >>	4-SPEED (SPORTOMATIC)
914	914. 300.11	70 0	HA0 014 826>>	5-SPEED
914	914. 300.11	70 0	HB0 000 004>>	5-SPEED (LIM. SLIP DIFFERENTIAL)
914-6	914. 300.01	71 1	751 0001 >>	5-SPEED
914-6	914. 300.05	71 1	761 0001 >>	4-SPEED (SPORTOMATIC)
914	914. 300.11	72 2	HA0 030 094>>	5-SPEED
914-6	914. 300.01	72 2	752 0001 >>	5-SPEED
914-1,7/2,0	914. 300.12	73 3	HA0 051 316>>	5-SPEED
914-1,8/1,8V/2,0	914. 300.12	74 4	HA 13 08 3 >>	5-SPEED
914-1,8/1,8V/2,0	914. 300.12	75 5	HA 05 08 4 >>	5-SPEED
914-1,8/1,8V/2,0	914. 300.12	76 6	HA 05 08 5 >>	5-SPEED

Model	Year	MG	SG	Illustration	VIN No.	Update	11:35	23.08.2006
914	76	9	98	998		203		

TR203

LEGENDS AND NOTICES

=====

IN COLUMN -S- STATUS

- N NEW ADDITION
- P PART ALREADY IN PROGRAMME, BUT NEW AT THIS APPLICATION
- E THIS PART NO. IS NO LONGER AVAILABLE FROM PORSCHE
- W DELETED AT THIS APPLICATION, BUT CONTINUED, TO BE CARRIED
- A STOCK TO BE USED UP
- U DELETED WITHOUT REPLACEMENT
- * PART ALSO OR ONLY AVAILABLE IN REPAIR KIT
- > ALSO AVAILABLE IN EXCHANGE

IN COLUMN - ILL. -

- 1 IDENTIFICATION NO. IN ILLUSTRATION
- (1) PART ONLY SIMILAR AS ILLUSTRATED
- PART IS NOT ILLUSTRATED

FIG.-NUMBERS FOR WHICH THERE IS SHOWN NO TEXT ARE NOT VALID FOR THIS EDITION OF CATALOGUE

IN COLUMN -PART NUMBER/CODE-

000 000 000 00 PART NUMBER EQUALS ORDERING NO., IF A CODE IS SHOWN, IT WILL HAVE TO BE PART OF ORDERING NUMBER

01C COLOUR CODE

IN COLUMN -TEXT

INSTALLATION WITH ENGINE OR CHASSIS NUMBER-RANGE

EXAMPLE:

M 640 0391 >> FROM ENGINE NO.
F >> 914043 0391 UP TO CHASSIS NO.

PET V-Pages

Model	Year	MG	SG	Illustration	VIN No.	Update		
914	76	9	98	998		203	11:36	23.08.2006

TR006

IN COLUMN - A -

IDENTIFICATION LETTER FOR PERIOD OF INSTALLATION
THAT IS REPEATED SEVERAL TIMES IN THE CATALOG GROUP.

EXPLANATION PLEASE FIND IN TEXT COLUMN OF THE CATALOG GROUP

IN COLUMN - QU - = NO. OF PIECES

- 1 NUMBER PER APPLICATION
- X NUMBER AS NEEDED
- * AVAILABLE ONLY IN RUNNING LENGTHS 1 = 1 METRE

IN COLUMN - MODEL/SYMBOL -

-76 LIMITATION OF MODEL YEAR FOR INSTANCE: VALID UP TO
END OF MODEL YEAR 1976

- /LL LHD
- /RL RHD
- +
- /V FRONT I
- I
- /H REAR I
- I----> APPLIES TO
- /L LEFT I DIRECTION OF TRAVEL
- I
- /R RIGHT I
- +

SPM SPORTOMATIC

M SUMMARY OF OPTIONAL EXTRAS

Model	Year	MG	SG	Illustration	VIN No.	Update		
914	76	9	98	998		203	11:36	23.08.2006

TR206

EQUIPMENT BY COUNTRY REGULATIONS
=====

(A)	AUSTRIA
(AUS)	AUSTRALIA
(B)	BELGIUM
(CDN)	CANADA
(CH)	SWITZERLAND
(D)	FEDERAL REPUBLIC OF GERMANY
(DK)	DENMARK
(E)	SPAIN
(F)	FRANCE
(GB)	GREAT BRITAIN
(GR)	GREECE
(HK)	HONGKONG
(I)	ITALY
(J)	JAPAN
(L)	LUXEMBURG
(N)	NORWAY
(NL)	NETHERLANDS
(NZ)	NEW ZEALAND
(P)	PORTUGAL
(RC)	TAIWAN
(S)	SWEDEN
(SA)	SAUDI ARABIA
(SF)	FINLAND
(USA)	UNITED STATES OF AMERICA
(ZA)	SOUTH AFRICA