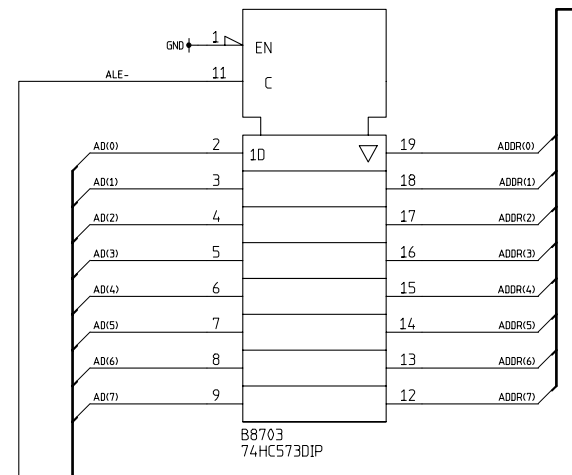
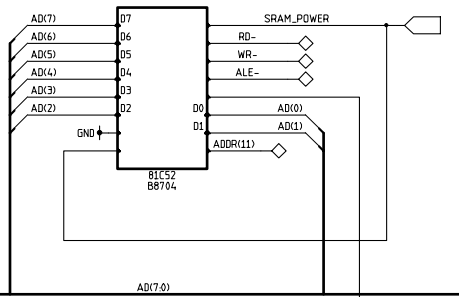


REVISIONS			
REV	DESCRIPTION	DATE	APPROVED

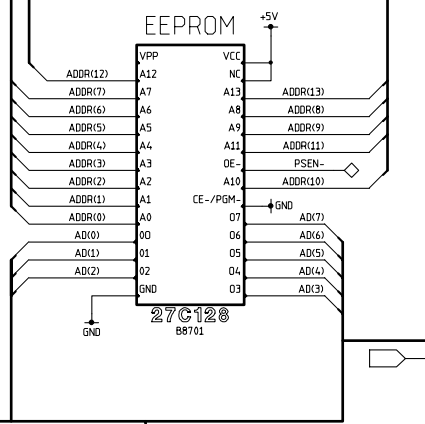
Address Latch



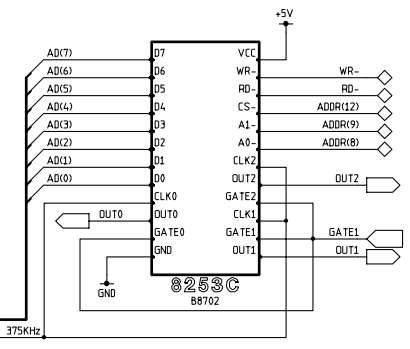
256x8 SRAM



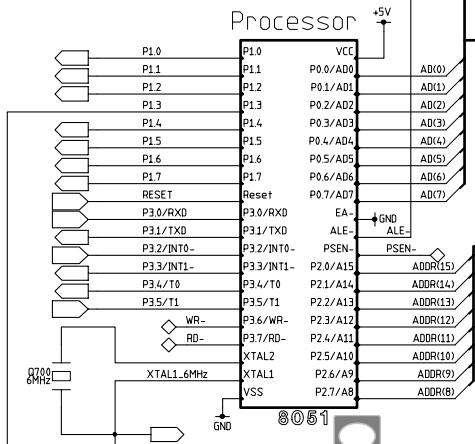
EEPROM



Timer (3x16 bit counter)



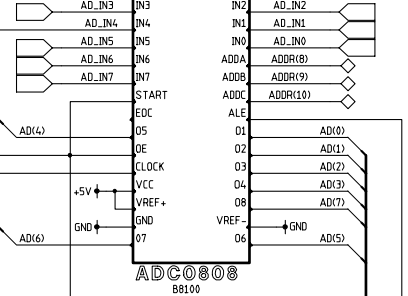
OUT0	Inectors Pulse
OUT1	Injector Frequency
OUT2	EZK LOAD



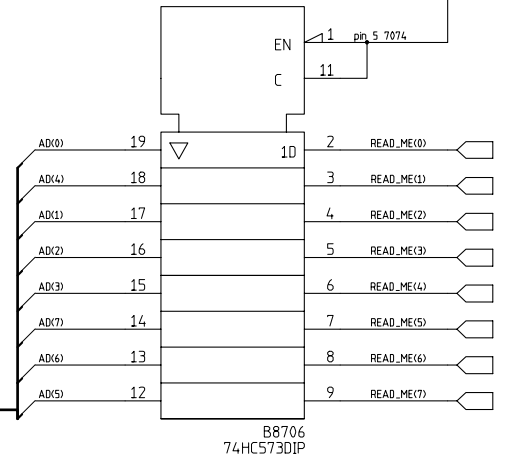
P10	Gate for Counter 1 ?
P11	Idle Stabilizer
P12	Fuel Tank Vent ?
P13	LH Relay On/Off ?
P14	Fuel Pump On/Off ?
P15	MAF burn ?
P16	Check Engine Light ?
P17	
P32	Engine Speed (l/p)
P33	Hz o/p (Approx)
P34	Flappy ?
P35	Frequency from MAF Volts

AD_0	Battery Volts
AD_1	EZK_ON
AD_2	Mixture PDT
AD_3	Temp Sensor
AD_4	MAF
AD_5	OXY Sensor ?
AD_6	Idle Stabilizer ?
AD_7	Code Plug 4

A/D

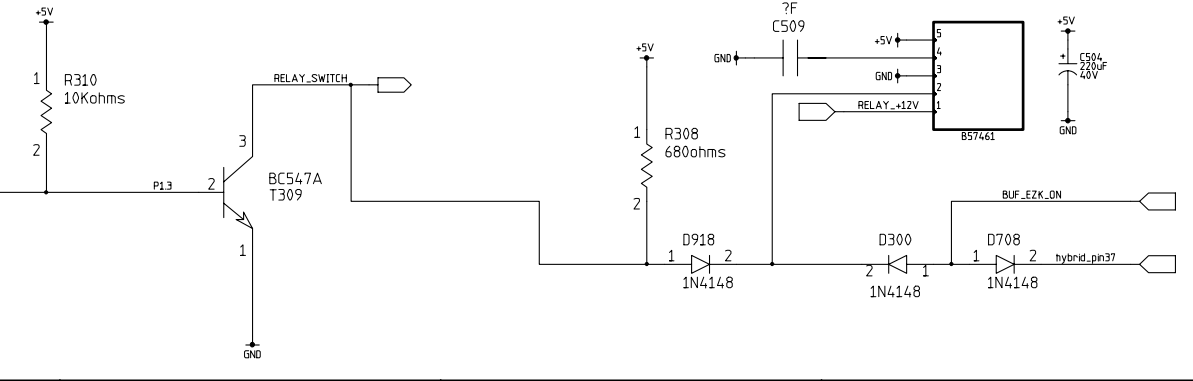


READ REGISTER



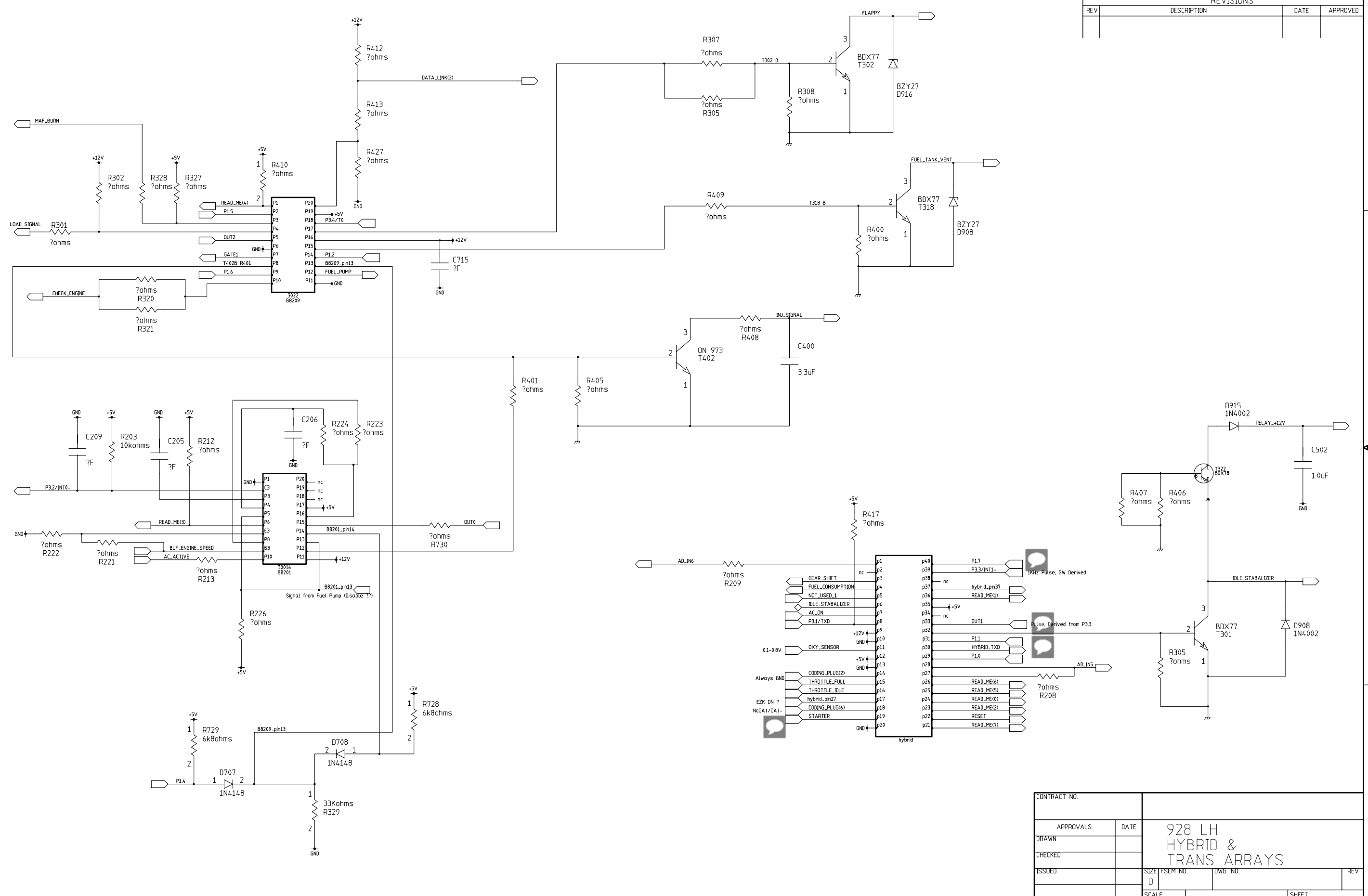
README(0)	Code_Plug(2)
README(1)	AC_ON
README(2)	Code_Plug(6)
README(3)	AC_Active ?
README(4)	Fault from 3022
README(5)	IDLE_Switch
README(6)	WDT_Switch
README(7)	Starter

Pin 2 - Will pull low if output voltage dips below 4.5V



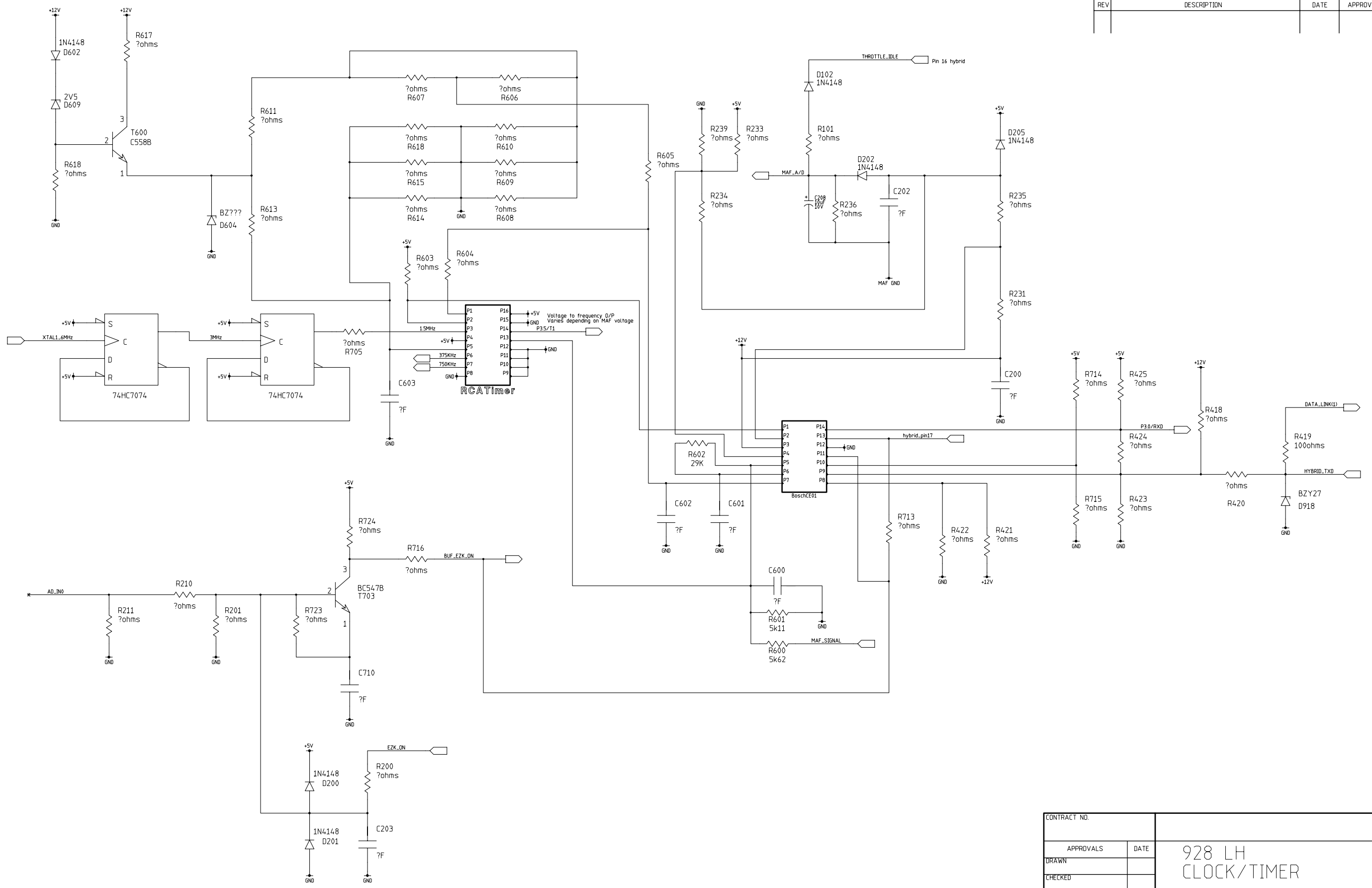
APPROVALS		DATE	928 LH PROCESSOR	
DRAWN				
CHECKED				
ISSUED				

REVISIONS			
REV	DESCRIPTION	DATE	APPROVED



CONTRACT NO.		928 LH HYBRID & TRANS ARRAYS	
APPROVALS	DATE	SIZE	FSCM NO.
DRAWN		D	
CHECKED		DWG. NO.	REV
ISSUED		SCALE	SHEET

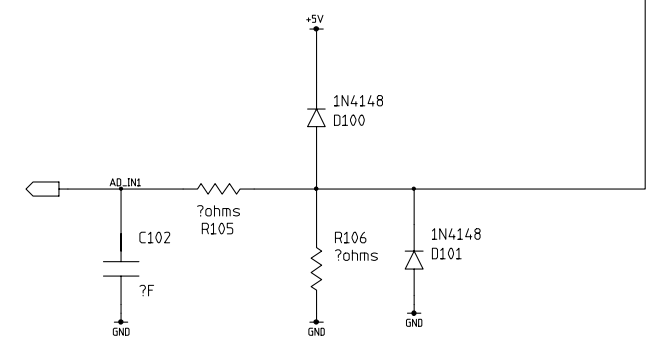
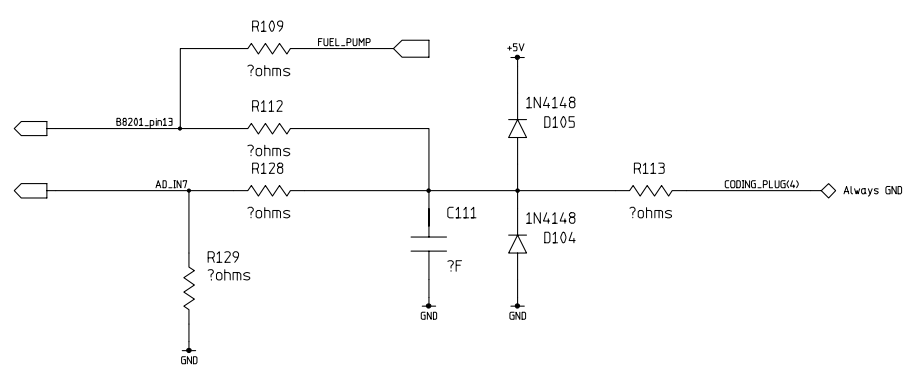
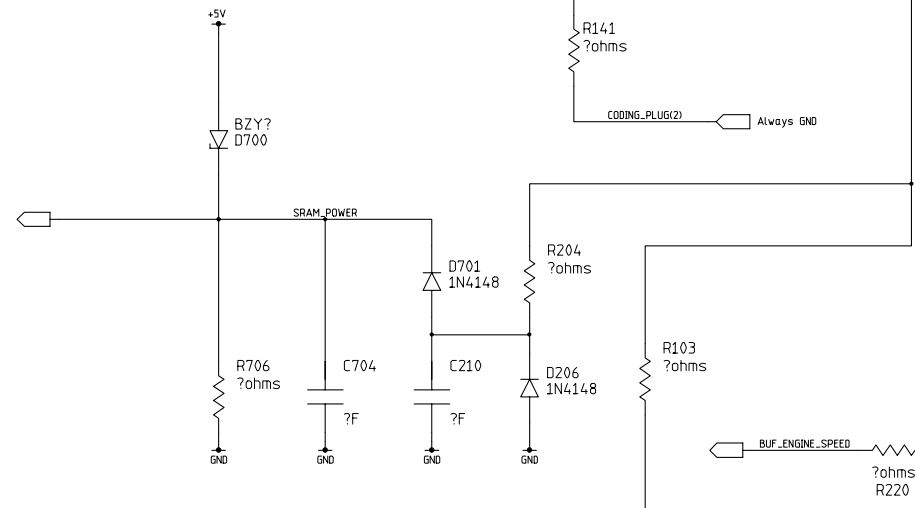
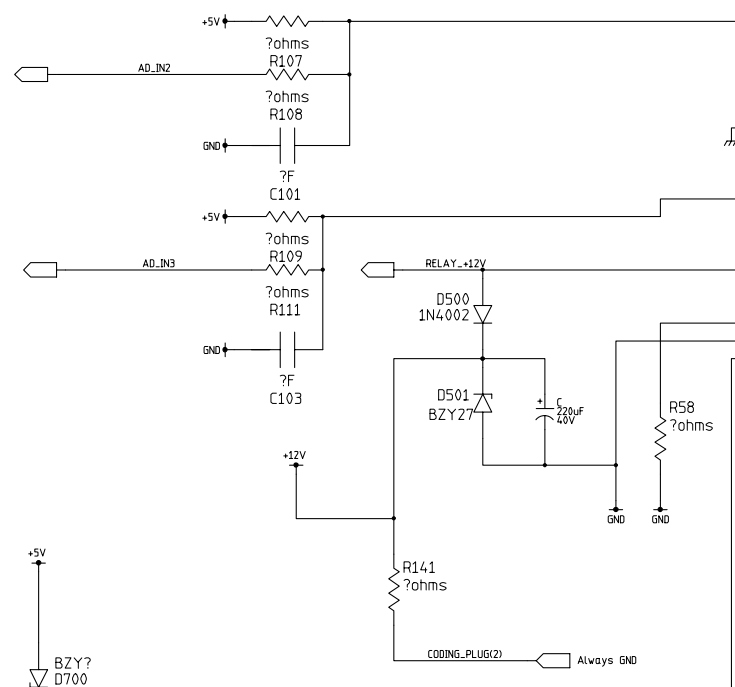
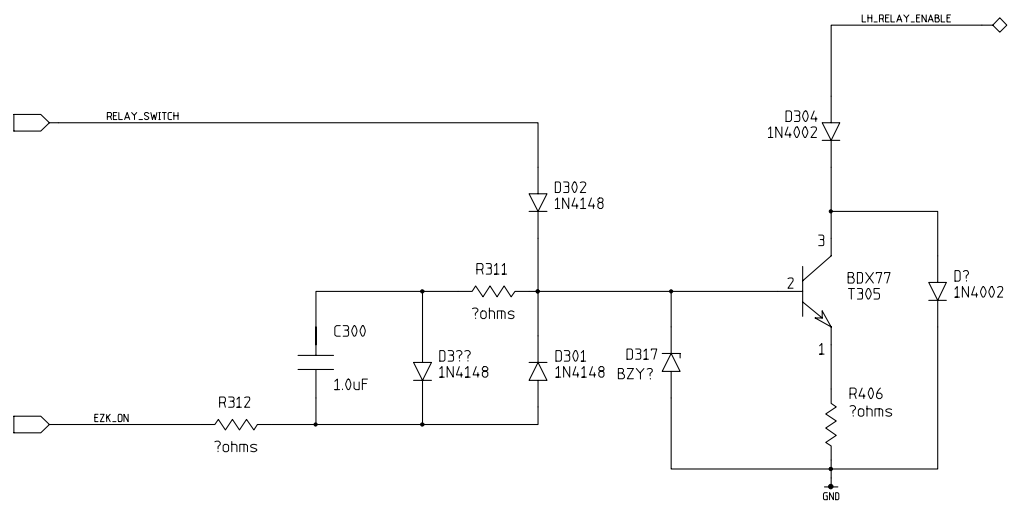
REVISIONS			
REV	DESCRIPTION	DATE	APPROVED



CONTRACT NO.		928 LH CLOCK/TIMER	
APPROVALS	DATE	SIZE	FSCM NO.
DRAWN		D	DWG. NO.
CHECKED		SCALE	REV
ISSUED			SHEET

REVISIONS			
REV	DESCRIPTION	DATE	APPROVED

EZK_ON	p35
FLAPPY	p34
IDLE_STABILIZER	p33
	p32
FUEL_CONSUMPTION	p31
STARTER	p30
CODING_PLUG(4)	p29
CODING_PLUG(4)	p28
FUEL_TANK_VENT	p27
GEAR_SHIFT	p26
LOAD_SIGNAL	p25
OXY_SENSOR	p24
MDT_POT_CENTRE	p23
CHECK_ENGINE	p22
LH_RELAY_ENABLE	p21
FUEL_PUMP	p20
CODING_PLUG(2)	p19
INJ_SIGNAL	p18
	p17
DATA_LINK(2)	p16
AC_ON	p15
AC_ACTIVE	p14
TEMP_SENSOR	p13
DATA_LINK(1)	p12
AC_RELAY	p11
NOT_USED_1	p10
	p9
MAF_BURN	p8
MAF_SIGNAL	p7
MAF_GND	p6
	p5
BATTERY_+12V	p4
THROTTLE_FULL	p3
THROTTLE_IDLE	p2
ENGINE_SPEED	p1



CONTRACT NO.		928 LH	
APPROVALS	DATE	INPUT CONNECTOR	
DRAWN		SIZE	FSCM NO.
CHECKED		DWG. NO.	REV
ISSUED		SCALE	SHEET