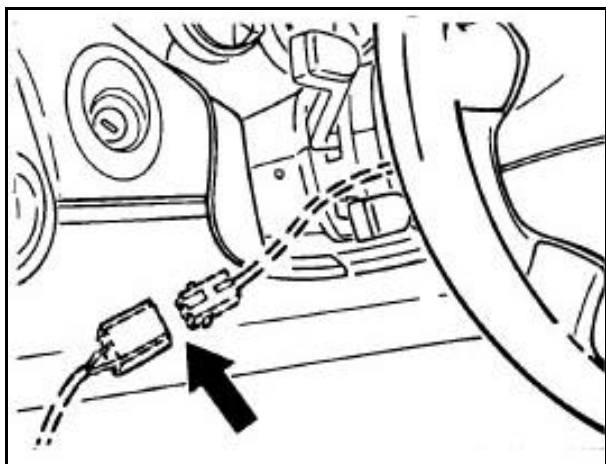


B7.1 Pre-treatment

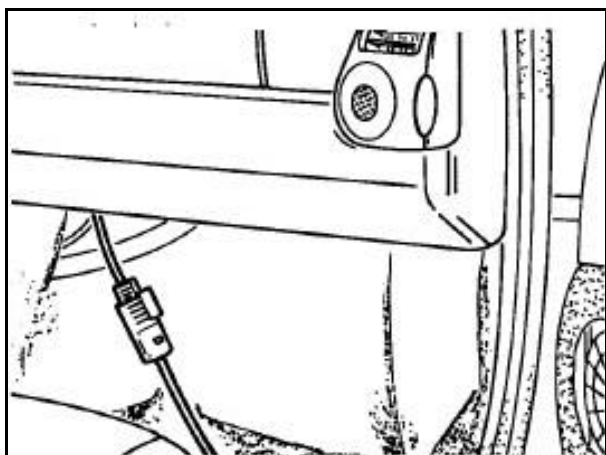
B7.1.1 Pyrotechnics



Connecting ignition tool

Driver's side

Ignition cable A directly to the 2-pole plug for the contact unit (below the steering column). Place the ignition device in front of the vehicle through the door gap.



Passenger's side

Connect ignition cables 9257/2 in turn to the two-stage airbag unit. Place the ignition device in front of the vehicle through the door gap.

Removing the airbag unit

(Carrera 2 / 4, Turbo)

Observe the waiting period after disconnecting the battery

Driver's airbag:

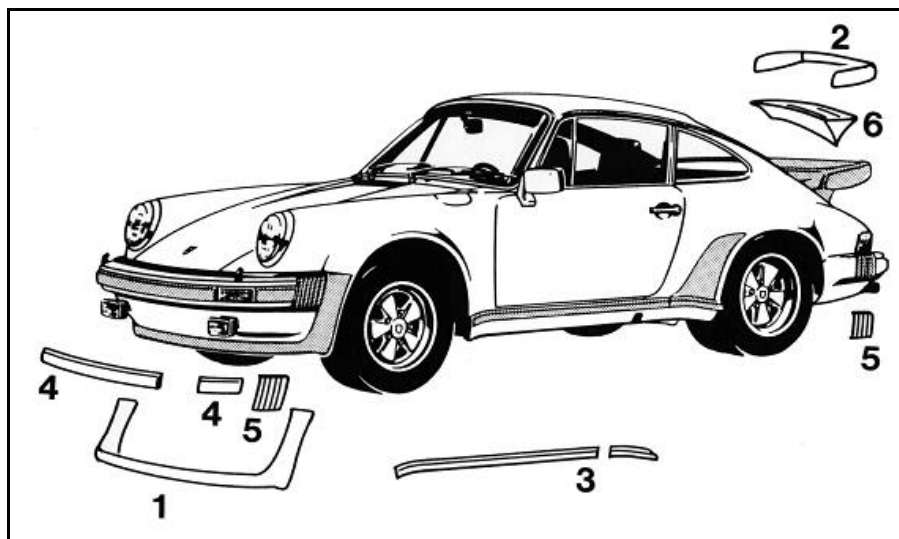
- The gas generator is held in place with 2 T30 socket Torx screws which must be removed from the side of the steering wheel base. The entire airbag unit can then be removed.

Passenger's airbag:

- Remove glove compartment.
- Undo 1 M8 holder screw.
- Remove radio/heating regulator.
- Remove knee protector trim.
- Remove bottom airbag flap (3 screws) and top flap (4 screws).
- Unscrew 4 hexagon socket head bolts, 5 mm.
- The entire airbag unit can then be pulled down to remove it.

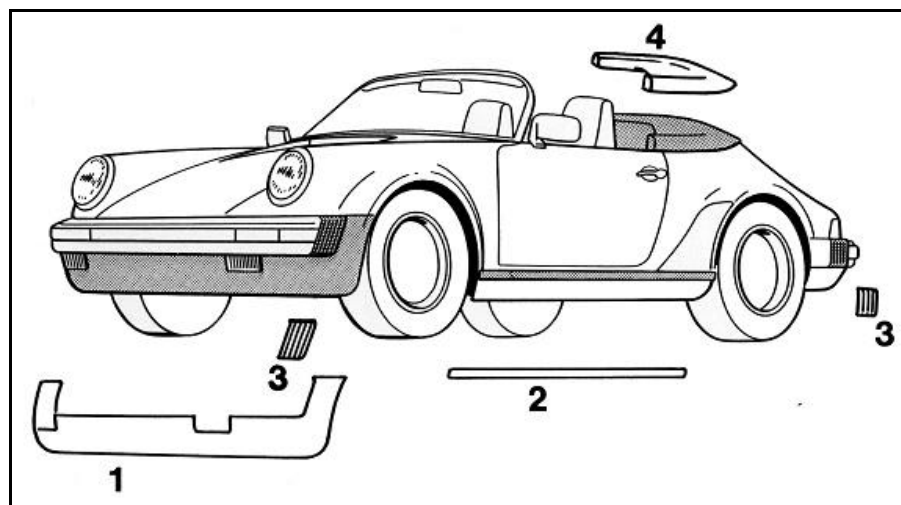
B7.2 Further treatment**B7.2.1 Identifying plastic parts**

Body outer parts



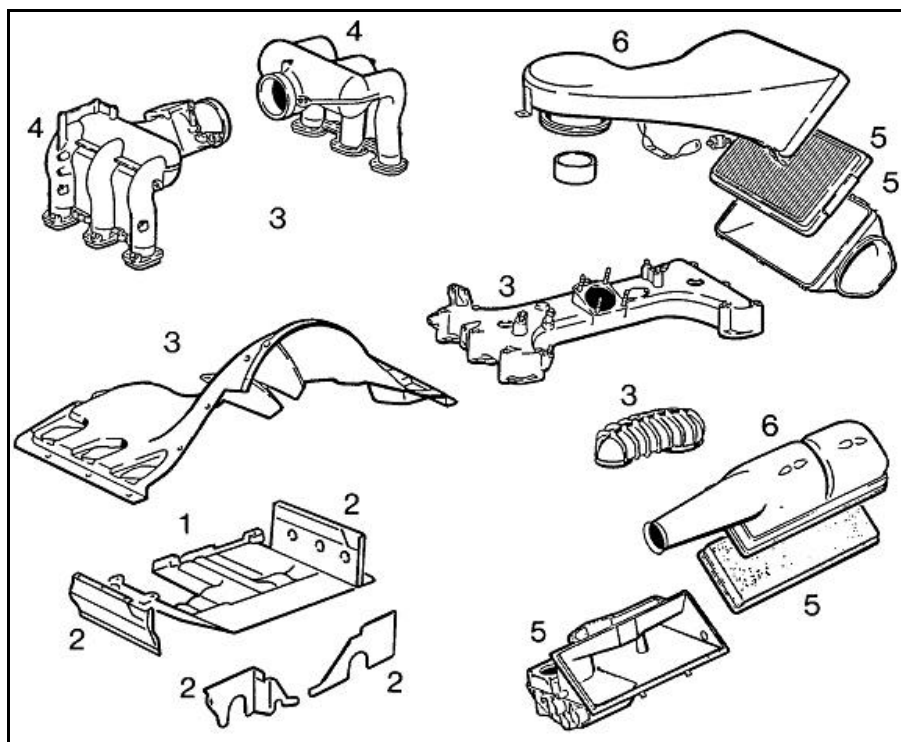
911 Carrera (964)/911 Turbo

No.	Designation	Plastic
1	Front spoiler	PUR
2	Rear spoiler edge	PUR
3	Rubber moulding for side member	EPDM
4	Bumper support	EPDM
5	Bellows, bumpers	EPDM
6	Rear spoiler	GFRP



911 Speedster

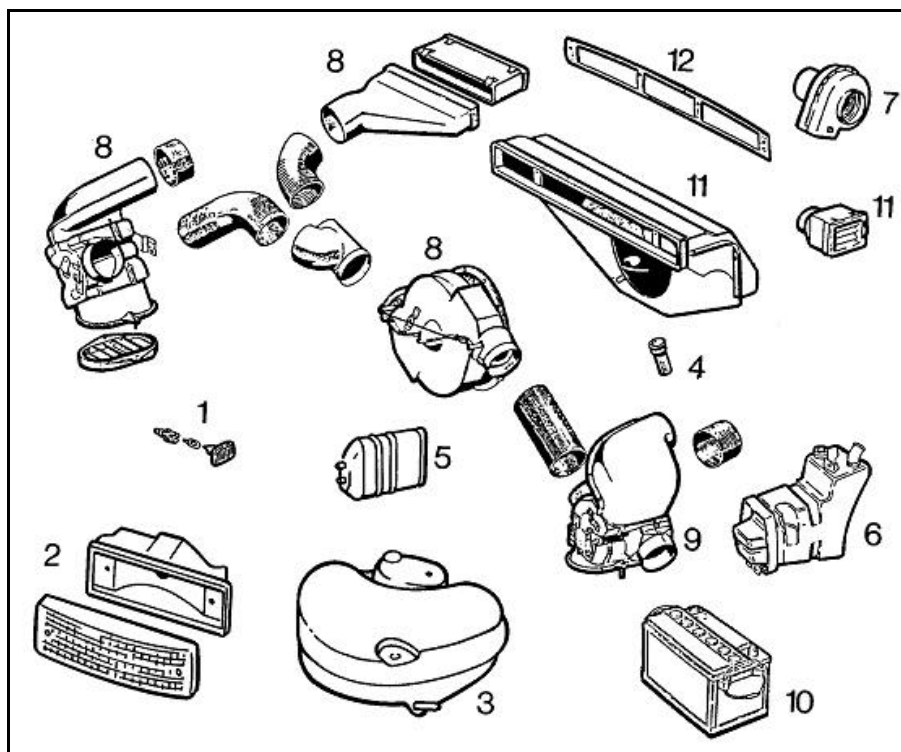
No.	Designation	Plastic
1	Front spoiler	PUR
2	Rubber moulding for side member	EPDM
3	Bellows, bumpers	EPDM
4	Rear cover	SMC



911 Carrera/911 Speedster

Engine compartment parts

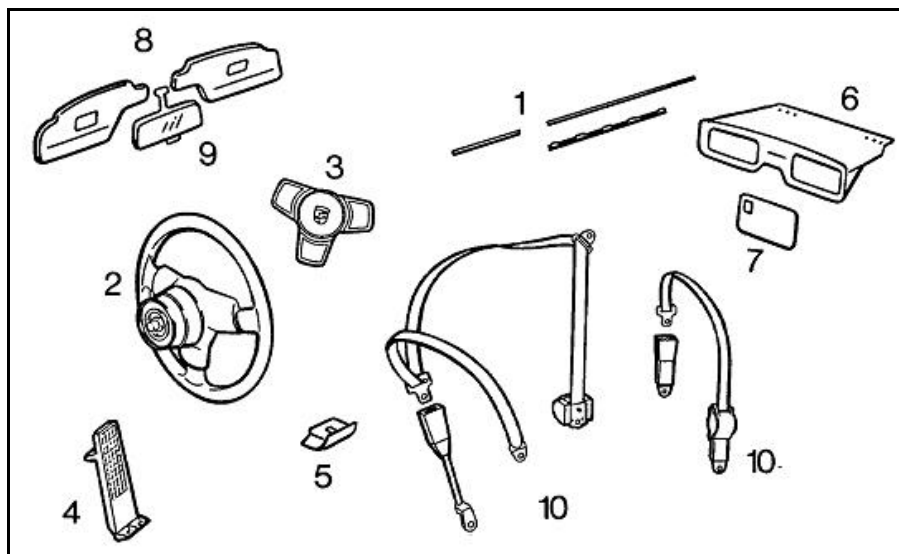
No.	Designation	Plastic
1	Sound insulation pan	PET-GMT
2	Sound insulation pan	PET-GMT
3	Air guide	PA
4	Intake distributor	PA
5	Air filter	PP
6	Cowl for air filter	PP



911 Carrera/911 Speedster

Equipment parts

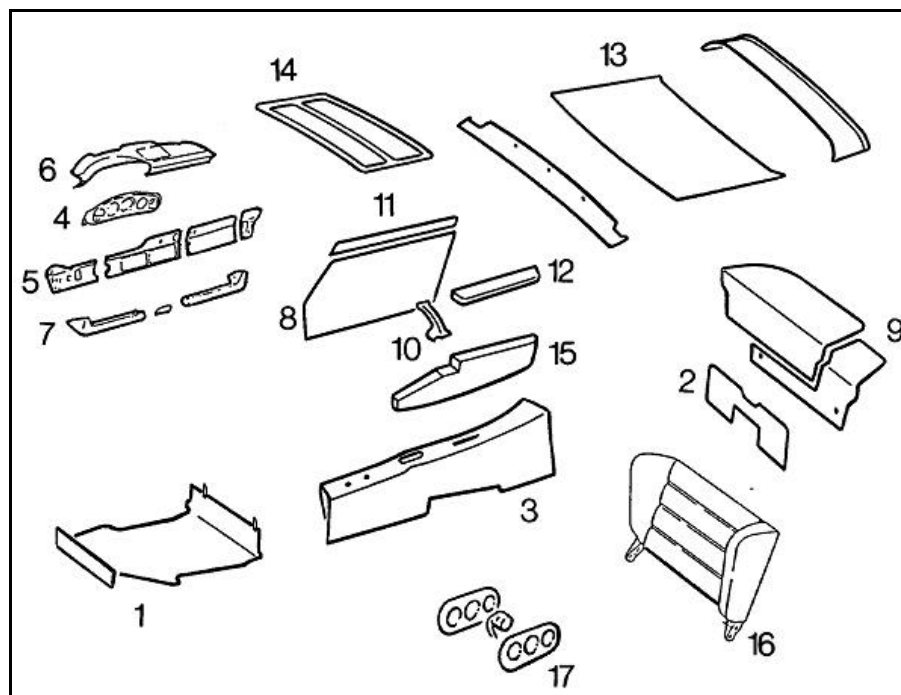
No.	Designation	Plastic
1	Side marker light	ABS, PMMA
2	Front direction indicator	ABS, PMMA
3	Fuel tank	HDPE
4	Water drainage hose	Plastic composite
5	Carbon canister	PP
6	Windshield washer reservoir	PP
7	Hot air blower	PP
8	Air guide	PP
9	Heater/fresh air box	PP
10	Battery casing	PP
11	Fresh air guide	PP
12	Cover	ABS



911 Carrera/911 Speedster

Passenger compartment parts

No.	Designation	Plastic
1	Window shaft seal	Plastic composite
2	Steering wheel	Plastic composite
3	Steering wheel cover	Plastic composite
4	Accelerator	PP
5	Ashtray	PPE
6	Luggage storage unit	Plastic composite
7	Lid for luggage storage unit	Plastic composite
8	Sun visor	Plastic composite
9	Interior mirror	Plastic composite
10	Safety belt	PET (Fibre: PES)

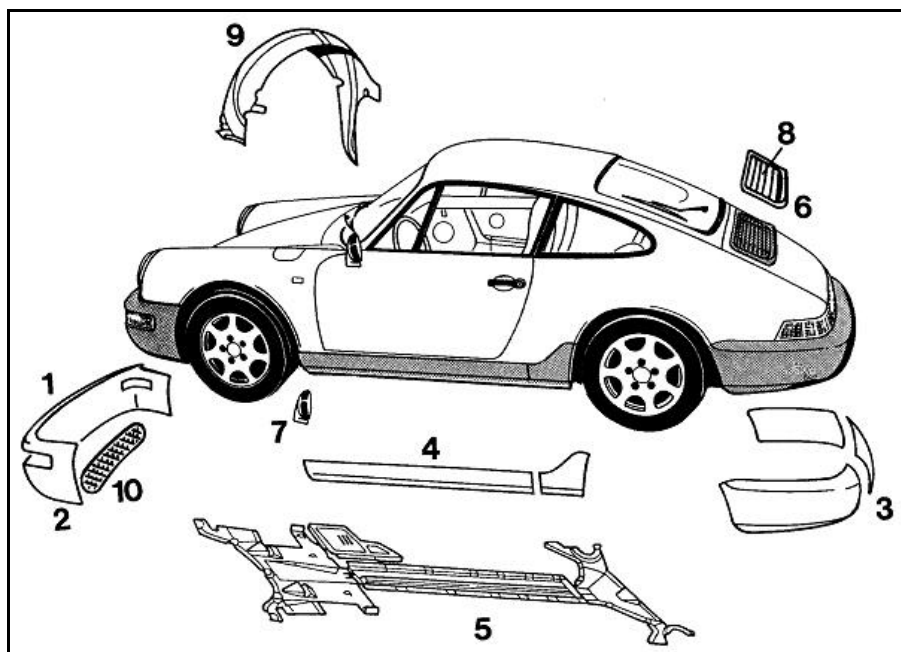


911 Carrera/911 Speedster

Trim panel parts

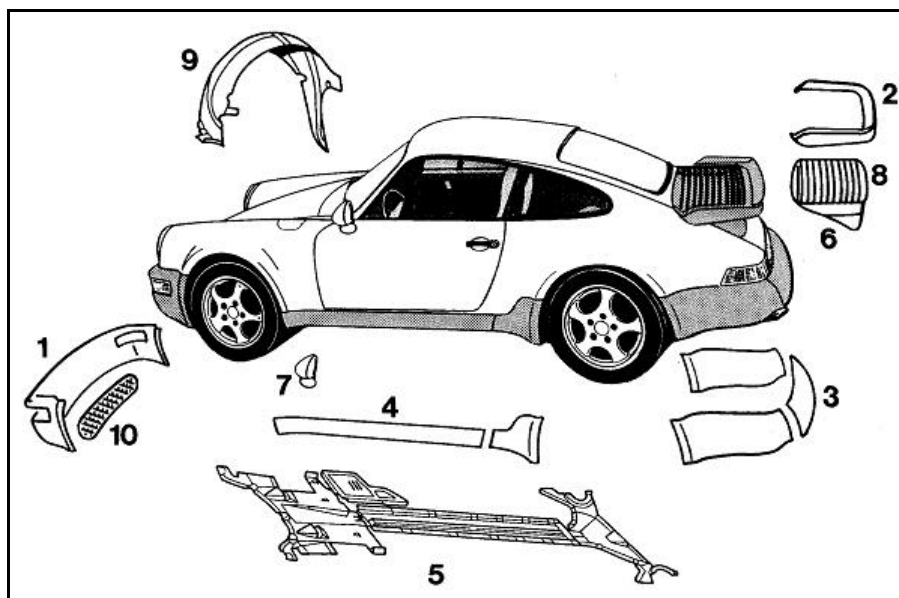
No.	Designation	Plastic
1	Luggage compartment lining	PET (Fibre: PES)
2	Heel plate trim	PET (Fibre: PES)
3	Tunnel frame cover	PET (Fibre: PES)
4	Instrument panel trim	Plastic composite
5	Dashboard trim	Plastic composite
6	Instrument panel cover	Plastic composite
7	Upholstery strip for knee protector	Plastic composite
8	Door trim panel	Plastic composite
9	Liner for storage unit	Plastic composite
10	Inner door handle	Plastic composite
11	Upholstery strip, front	Plastic composite
12	Lid for oddments compartment	Plastic composite
13	Roof lining	Plastic composite
14	Sliding roof lining	Plastic composite
15	Oddments compartment	Plastic composite
16	Rear seat back trim	PET (Fibre: PES)
17	Power seat control switch	Plastic composite

Body outer parts



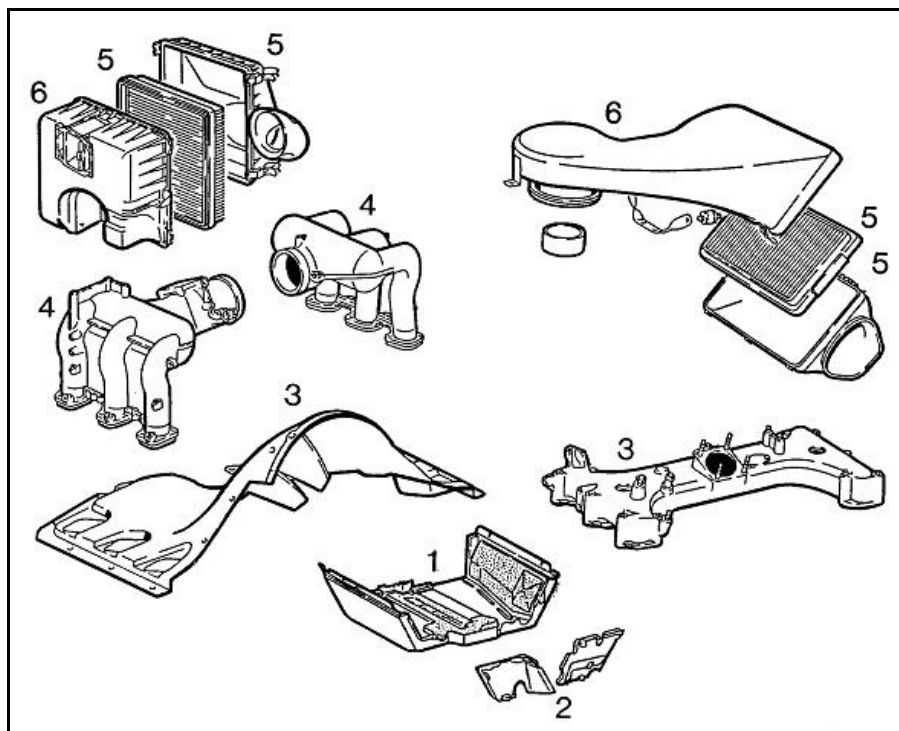
911 Carrera 2/4

No.	Designation	Plastic
1	Front end	PBT-TPE
2	Front end, bottom part	PBT-TPE
3	Rear end	PBT-TPE
4	Side member panel	TPU-GF
5	Underside panel	PP-GMT
6	Rear spoiler	PC-ABS
7	Housing for rear-view mirror	PC-ABS
8	Rear spoiler grille	PA
9	Wheel housing liner	PP
10	Air grille	POM



911 Turbo/911 Turbo 3.6

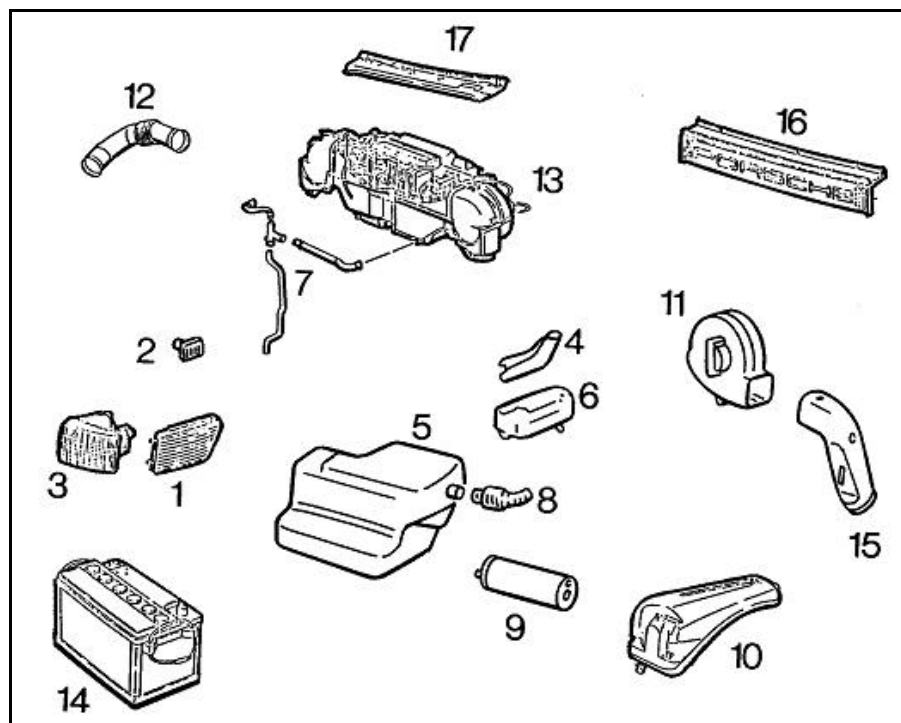
No.	Designation	Plastic
1	Front end	PUR
2	Rear spoiler edge	PUR
3	Rear end	PBT-TPE
4	Side member panel	TPU-GF
5	Underside panel	PP-GMT
6	Rear spoiler	GFRP
7	Housing for rear-view mirror	PC-ABS
8	Rear spoiler grille	PA
9	Wheel housing liner	PP
10	Air grille	POM



911 Carrera 2/ 911 Carrera 4/911 Turbo/911 Turbo 3.6

Engine compartment parts

No.	Designation	Plastic
1	Engine guard	PP-GMT
2	Sound insulation pan	PET-GMT
3	Air guide	PA
4	Intake distributor	PA
5	Air filter	PP
6	Cowl for air filter	PP

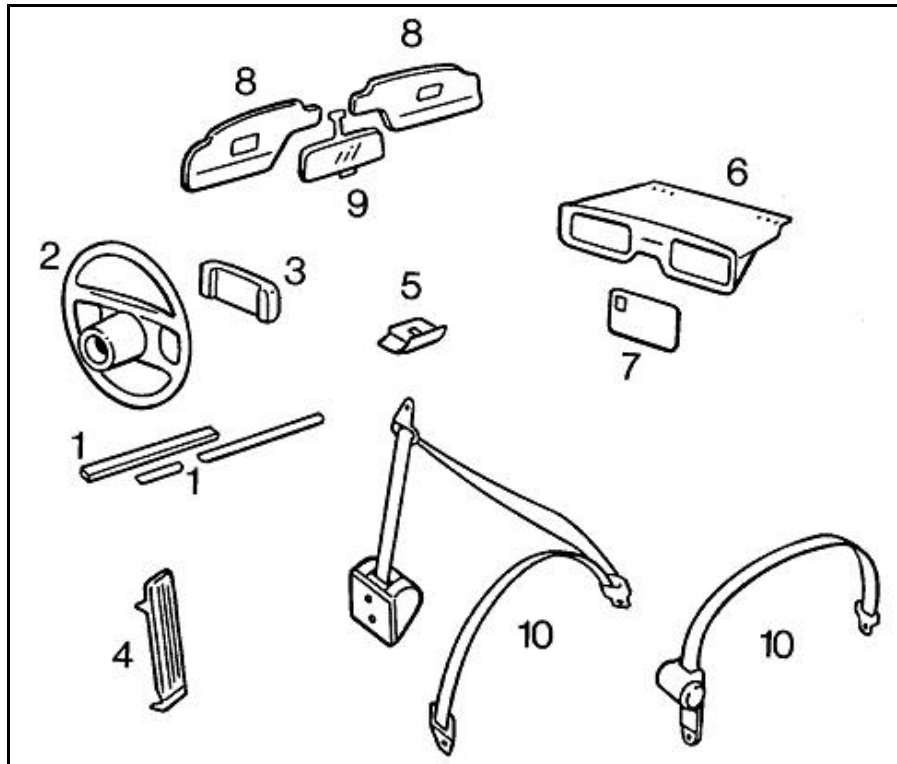


911 Carrera 2/ 911 Carrera 4/911 Turbo/911 Turbo 3.6

Equipment parts

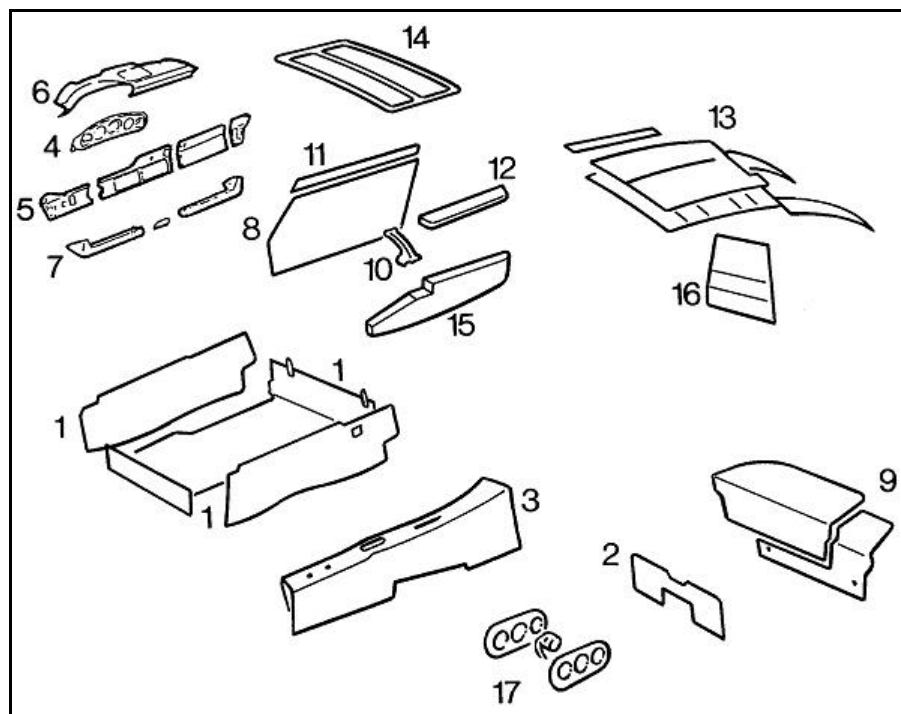
No.	Designation	Plastic
1	Side marker light	ABS, PMMA
2	Side direction indicator	ABS, PMMA
3	Front direction indicator	ABS, PMMA
4	Filler neck	HDPE
5	Fuel tank	HDPE
6	Tray for filler neck	HDPE
7	Water drainage hose	Plastic composite
8	Hose for filler neck	Plastic composite
9	Carbon canister	PP
10	Windshield washer reservoir	PP
11	Hot air blower	PP
12	Air guide	PP
13	Heater/fresh air box	PP
14	Battery casing	PP
15	Fresh air guide	PP
16	End panel	PC, PMMA
17	Cover	ABS

Passenger compartment parts



No.	Designation	Plastic
1	Window shaft seal	Plastic composite
2	Steering wheel	Plastic composite
3	Steering wheel cover	PUR
4	Accelerator	PP
5	Ashtray	PPE
6	Luggage storage unit	Plastic composite
7	Lid for luggage storage unit	Plastic composite
8	Sun visor	Plastic composite
9	Interior mirror	Plastic composite
10	Safety belt	PET (Fibre: PES)

911 Carrera 2/ 911 Carrera 4/911 Turbo/911 Turbo 3.6



911 Carrera 2/ 911 Carrera 4/911 Turbo/911 Turbo 3.6

Trim panel parts

No.	Designation	Plastic
1	Luggage compartment lining	PET (Fibre: PES)
2	Heel plate trim	PET (Fibre: PES)
3	Tunnel frame cover	PET (Fibre: PES)
4	Instrument panel trim	PUR/ABS/PVC Plastic composite
5	Dashboard trim	PUR/ABS/PVC Plastic composite
6	Instrument panel cover	PUR/ABS/PVC Plastic composite
7	Upholstery strip for knee protector	PUR/ABS/PVC Plastic composite
8	Door trim panel	PUR/PVC (composite)
9	Liner for storage unit	PE/PVC (composite)
10	Inner door handle	PUR
11	Upholstery strip, front	PUR
12	Lid for oddments compartment	PUR
13	Roof lining	PVC
14	Sliding roof lining	PVC
15	Oddments compartment	PP
16	Rear seat back trim	PET (Fibre: PES)
17	Power seat control switch	Plastic composite