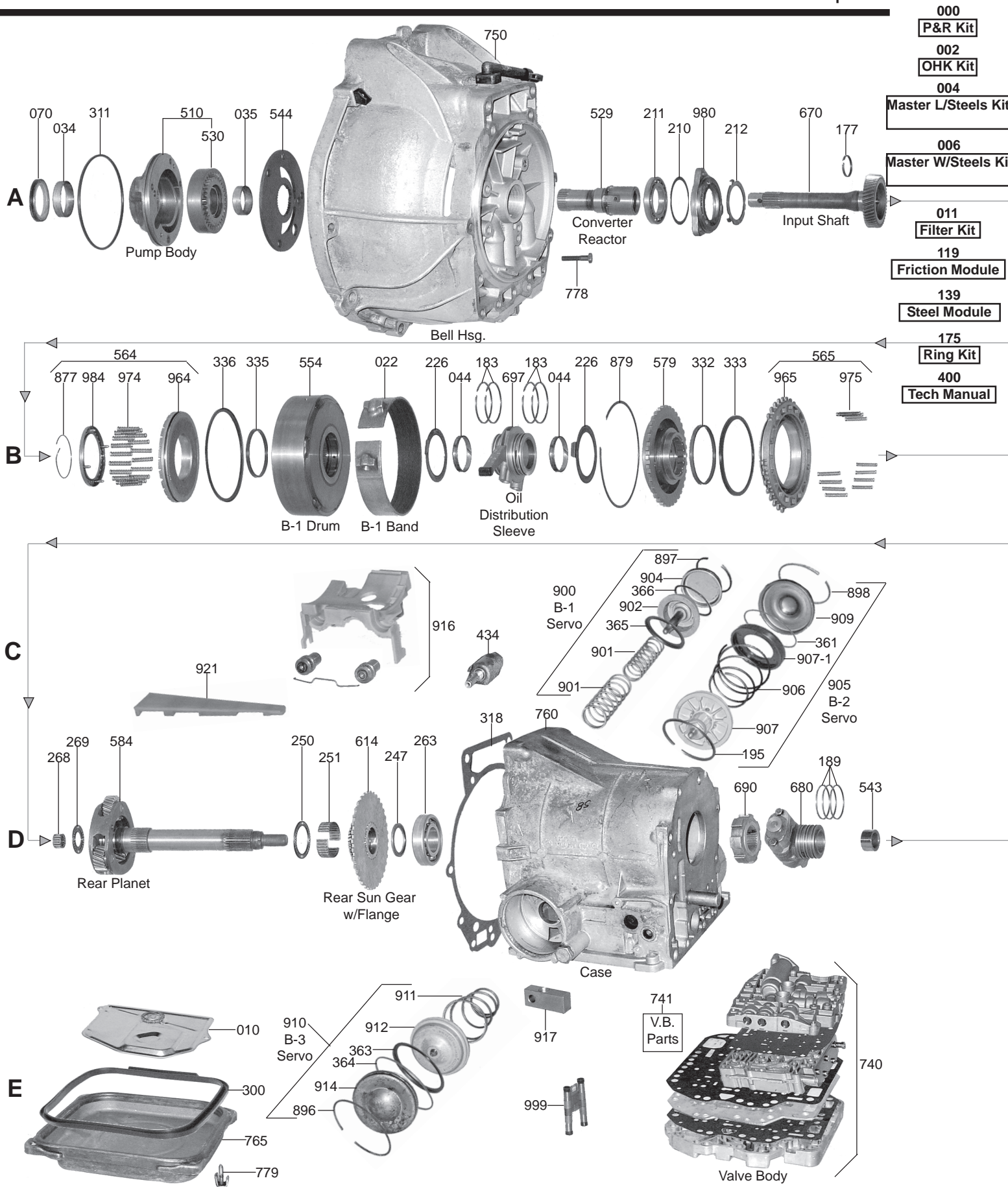
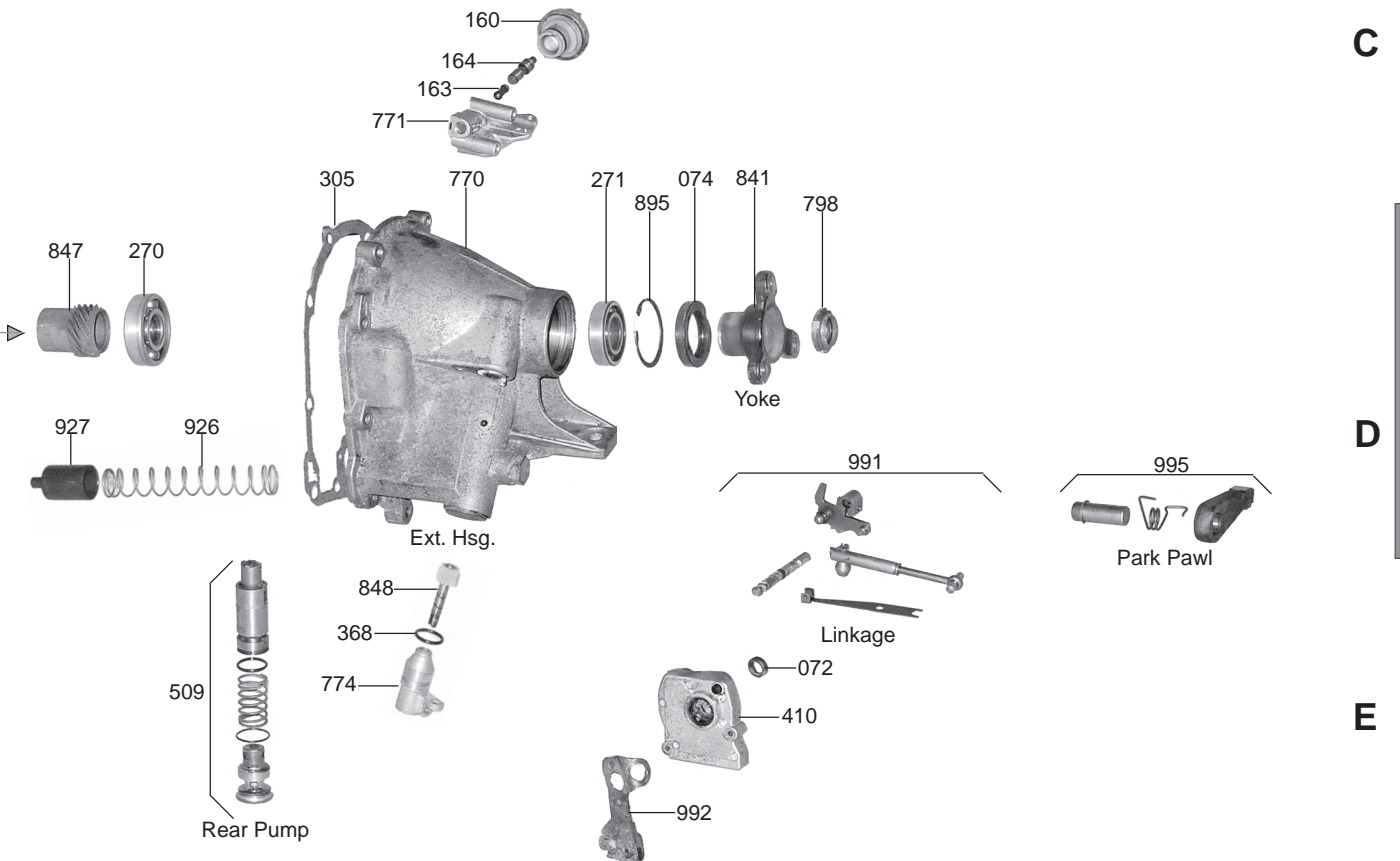
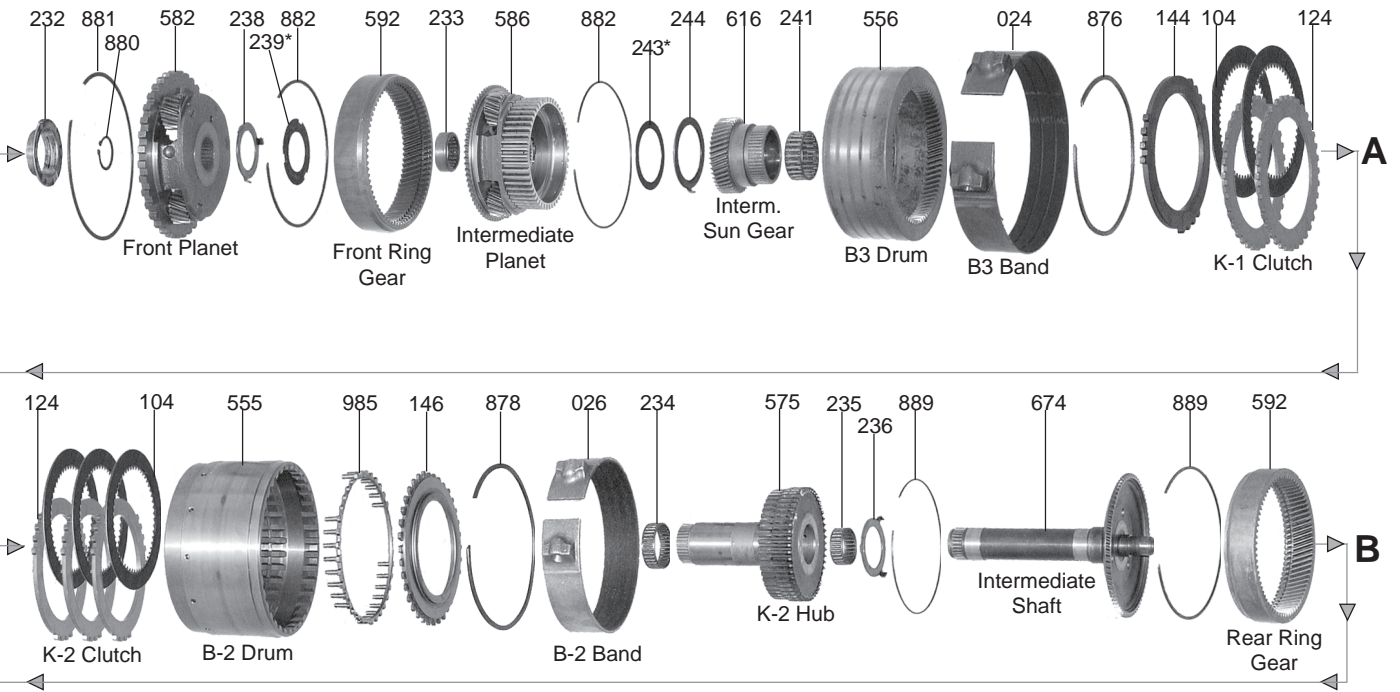


722.0 / 722.1 / 722.2

RWD 3 & 4 Speed





MERCEDES

722.0 / 722.1 / 722.2

RWD 3 & 4 Speed

PART #	PAPER & RUBBER KIT	QTY.	REFERENCE #
60000	Paper & Rubber Kit, 722.0 / 722.1 / 722.2 1970-83	1	

PART #	OVERHAUL KITS	QTY.	REFERENCE #
60002	Overhaul Kit, 722.0 / 722.1 / 722.1 1970-83	1	

PART #	MASTER L/STEEL KIT	QTY.	REFERENCE #
60004	Master L/Steels Kit, 722.0 / 722.1 / 722. 2 1970-83	1	

PART #	MASTER W/STEEL KIT	QTY.	REFERENCE #
60006	Master W/Steels Kit, 722.0 / 722.1 / 722.2 1970-83	1	

PART #	FILTER	QTY.	REFERENCE #
60010	Filter, 722.0 / 722.1 / 722.2 Without Tube 1970-77	1	115-270-0398
60010A	Filter, 722.0 / 722.1 / 722.2 With 1" Long Tube 1972-83	1	109-270-0298
60010B	Filter, 722.0 / 722.1 / 722.2 With 3/4" Long Tube 1977-83	1	123-270-0098

PART #	FILTER KIT	QTY.	REFERENCE #
60011	Filter Kit, 722.0 / 722.1 / 722.2 Without Tube 1970-77	1	
60011A	Filter Kit, 722.0 / 722.1 / 722.2 With 1" Long Tube 1972-83	1	
60011B	Filter Kit, 722.0 / 722.1 / 722.2 With 3/4" Long Tube 1977-83	1	

PART #	BANDS	QTY.	REFERENCE #
60022C	Band, 722.0 / 722.1 / 722.2 Center 1 1/2" Wide (Round Holes In Lugs For Struts) Paper Lining (With 1 Groove) Has A Thin Strapping (.110" Thick With Lining) 1970-83	1	
60022D	Band, 722.0 / 722.1 / 722.2 Center 2" Wide (Round Holes In Lugs For Struts) Paper Lining (With 1 Groove) Has A Thin Strapping (.110" Thick With Lining) 1970-83	1	
60022F	Band, 722.0 / 722.1 / 722.2 Center 1 1/2" Wide (Oval Holes In Lugs For Struts) Paper Lining (With 1 Groove) Has A Thin Strapping (.110" Thick With Lining) 1970-83	1	
60024	Band, 722.0 / 722.1 / 722.2 Front 1 1/2" Wide (Round Holes In Lugs For Struts) Composition Lining (Has Thick Strapping (.170" Thick With Lining) 1970-83	1	
60024A	Band, 722.0 / 722.1 / 722.2 Front 1 1/2" Wide (Oval Holes In Lugs For Struts) Composition Lining (Has Thick Strapping (.170" Thick With Lining) 1970-83	1	
60026	Band, 722.0 / 722.1 / 722.2 Center & Rear 1 1/2" Wide (Round Holes In Lugs For Struts) Composition Lining Has A Thin Strapping (.130" Thick With Lining) 1970-83	1-2	
60026A	Band, 722.0 / 722.1 / 722.2 Center & Rear (2" Wide) Round Holes In Lugs For Struts (Composition Lining) Has A Thin Strapping (.130" Thick With Lining) 1970-83	1-2	
60026B	Band, 722.0 / 722.1 / 722.2 Center & Rear 1 1/2" Wide (Oval Holes In Lugs For Struts) Composition Lining Has A Thin Strapping (.130" Thick With Lining) 1970-83	1-2	
60026C	Band, 722.0 / 722.1 / 722.2 Rear 2" Wide (Split Band) Round Holes In Lugs For Struts (Composition Lining)	1	
60026D	Band, 722.0 / 722.1 / 722.2 Center & Rear (1 1/2" Wide) Round Holes In Lugs For Struts (Composition Lining) Has A Thin Strapping (.130" Thick With Lining) 1970-83	1-2	

PART #	BUSHINGS	QTY.	REFERENCE #
60034	Bushing, 722.1 Pump Body (1 1/16"OD Converter Hub)	1	
60034B	Bushing, 722.0 / 722.2 Pump Body (1 5/8"OD Converter Hub)	1	112-272-4350
60035	Bushing, 722.0 / 722.2 Inner Pump Gear	1	
60044	Bushing, 722.0 / 722.1 / 722.2 Oil Feed Sleeve	2	

PART #	METAL CLAD SEALS	QTY.	REFERENCE #
60070	Seal, 722.1 Front (1 1/16"OD Converter Hub)	1	008-997-2546
60070A	Seal, 722.0 / 722.2 Front (1 5/8"OD Converter Hub)	1	004-997-0547
60074	Seal, 722.0 / 722.1 / 722.2 Extension Housing	1	005-997-1146

PART #	FRICTION CLUTCH	QTY.	REFERENCE #
60104	Friction, 722.0 / 722.1 / 722.2 K1 & K2 Clutch (.083") 51 Teeth	8	
60104A	Friction, 722.0 / 722.1 / 722.2 K1 & K2 Clutch (.098") 51 Teeth	8	
60119	Friction Module, 722.0 / 722.1 / 722.2 (.083") 51 Teeth	1	

MERCEDES

PART #	STEEL CLUTCH	QTY.	REFERENCE #
60124	Steel, 722.0 / 722.1 / 722.2 K1 & K2 Clutch (2.0mm) (.079") 12 Teeth	AR	109-272-1526
60124A	Steel, 722.0 / 722.1 / 722.2 K1 & K2 Clutch (2.0mm) (.118") 12 Teeth	AR	109-272-0626
60124B	Steel, 722.0 / 722.1 / 722.2 K1 & K2 Clutch (2.0mm) (.138") 12 Teeth	AR	109-272-1426
60139	Steel Module, 722.0 / 722.1 / 722.2 (.079") 12 Teeth	1	

PART #	CLUTCH PRESSURE PLATES	QTY.	REFERENCE #
60144	Pressure Plate, 722.0 / 722.1 / 722.2 K1 Clutch	1	
60146	Backing Plate, 722.0 / 722.1 / 722.2 K2 Clutch	1	

PART #	MODULATORS	QTY.	REFERENCE #
60160C	Modulator, Steel/Plastic (Snap Ring Type) 1977-81	1	
60160D	Modulator, 722.0 / 722.1 / 722.2 Steel (With Green Dot)	1	
60160E	Modulator, 722.0 / 722.1 / 722.2 Steel (With Red Top)	1	
60163	Valve, 722.0 / 722.1 / 722.2 Under Modulator	1	
60164	Pin, 722.0 / 722.1 / 722.2 Modulator	1	

PART #	OIL SEALING RINGS	QTY.	REFERENCE #
60175	Ring Kit, 722.0 / 722.1 / 722.2	1	

PART #	WASHERS & BEARINGS	QTY.	REFERENCE #
60210	Shim, 722.0 / 722.1 / 722.2 Input Shaft (Front)	1	
60211	Ball Bearing, 722.0 / 722.1 / 722.2 Input Shaft (Front)	1	
60212	Washer, 722.1 / 722.2 Input Shaft (Front)	1	115-272-4562
60226	Washer, 722.0 / 722.1 / 722.2 Oil Feed Sleeve (Takes 2)	2	115-270-1373
60229	Needle Bearing, 722.0 B-2 Hub To Hollow Shaft	1	
60232	Washer, 722.1 / 722.2 Input Shaft To Planet (Beveled Top Hat)	1	115-272-4962
60232A	Bearing, 722.0 Input Shaft To Planet (Flat)	1	
60232B	Bearing, 722.0 Input Shaft To Planet (450)	1	
60234	Bearing, 722.0 Hollow Shaft Front (450)	1	
60235	Needle Bearing, 722.0 / 722.1 / 722.2 Intermediate Shaft (Front)	1	
60236	Washer, 722.0 / 722.1 / 722.2 K-2 Hub To Intermediate Shaft	1	
60238	Washer, 722.0 Front Planet (Rear) (450)	1	
60238A	Washer, 722.1 / 722.2 Front Planet (Rear)	1	
60239	Shim, 722.1 / 722.2 Front Planet (Rear)	1	
60241	Needle Bearing, 722.1 / 722.2 Sun Gear Inner (3 Pieces)	1	
60241A	Needle Bearing, 722.0 Sun Gear Inner (1 Piece)	1	
60242	Spacer, 722.0 Snap Ring To B1 Drum	1	
60243	Shim, 722.1 / 722.2 2nd Planet To Sun Gear	1	
60244	Washer, 722.1 / 722.2 2nd Planet To Sun Gear	1	
60247	Washer, 722.0 / 722.1 / 722.2 Rear Sun Gear To Ball Bearing	1	
60250	Bearing, 722.0 / 722.1 / 722.2 Rear Planet (Rear)	1	007-981-3900
60251	Needle Bearing, 722.0 / 722.1 / 722.2 Rear Planet (Rear) 2 Pieces	1	
60263	Ball Bearing, 722.0 / 722.1 / 722.2 Output Shaft (Front)	1	
60268	Needle Bearing, 722.0 Rear Planet (Inner) (Front) 3/4" Long	1	
60268A	Needle Bearing, 722.0 Rear Planet (Inner) (Front) 1/2" Long	1	
60269	Bearing, 722.2 Intermediate Shaft (.890"ID)	1	
60269A	Bearing, 722.0 / 722.1 Intermediate Shaft (.675"ID)	1	
60270	Washer, 722.0 / 722.1 / 722.2 Speed-O Gear To Ball Bearing	1	
60271	Ball Bearing, 722.0 / 722.1 / 722.2 Output Shaft (Rear)	1	

PART #	GASKETS & RUBBER COMPONENTS	QTY.	REFERENCE #
60300	Gasket, 722.0 / 722.1 / 722.2 Bottom Pan (Rubber)	1	115-271-1680

PART #	TECHNICAL MANUALS	QTY.	REFERENCE #
60400	Technical Manual, 722.0 / 722.1 / 722.2	1	83-7222TM

PART #	ELECTRICAL COMPONENTS	QTY.	REFERENCE #
60410	Neutral Switch, 722.0 / 722.1 / 722.2	1	
60440	Switch, 722.0 / 722.1 / 722.2 Kickdown	1	

MERCEDES

722.0 / 722.1 / 722.2

RWD 3 & 4 Speed

PART #	HARD PARTS	QTY.	REFERENCE #
60509	Rear Pump Assembly, 722.0 / 722.1 / 722.2 (2 1/8" Steel Collar)	1	
60509A	Rear Pump Assembly, 722.0 / 722.1 / 722.2 (2 7/8" Steel Collar)	1	
60510	Pump Body, 722.1 (115-277-0420) Without Plate	1	116-270-0090
60510A	Pump Body, 722.0 / 722.2 (Cast # 1020) Without Plate	1	
60510B	Pump Body, 722.2 (010-277-0420) Without Plate	1	
60529	Shaft, 722.0 / 722.2 Stator (4 1/16" Long) 1.457"OD Surface Where Presses In Bell	1	
60529A	Shaft, 722.0 / 722.2 Stator (4 1/16" Long) 1.573"OD Surface Where Presses In Bell	1	
60529B	Shaft, 722.0 / 722.2 Stator (4 9/16" Long)	1	

PART #	PUMP COMPONENTS	QTY.	REFERENCE #
60543	Eccentric Wheel, 722.0 / 722.2 (Drives The Rear Pump)	1	
60544	Plate, 722.0 / 722.2 Pump (1 1/2" Center Hole With Splines)	1	
60544A	Plate, 722.1 Pump (1 1/4" Center Hole) No Splines	1	

PART #	HARD PARTS (Continued)	QTY.	REFERENCE #
60554	Drum, 722.0 Band With K-1 Clutch	1	
60554A	Drum, 722.1 / 722. 2 Band With K-1 Clutch	1	
60555	Drum, 722.0 Rear (Except 450)	1	
60555A	Drum, 722.0 Rear (450 Only)	1	
60555B	Drum, 722.1 / 722.2 Rear (3 1/2" Wide)	1	
60556	Drum, 722.1 / 722.2 Second Ring Gear & Band Drum	1	
60556A	Drum, 722.0 Band	1	
60564	Piston Kit, 722.0 / 722.1 / 722.2 K-1 Clutch	1	
60565	Piston Kit, 722.0 / 722.1 / 722. 2 K-2 Clutch (B-2 Drum)	1	
60575	Clutch Hub W/Shaft, 722.0 Hollow With Race (450)	1	
60575A	Clutch Hub W/Shaft, 722.1 / 722.2 Hollow W/Cam & Hub (1 1/8" Hub)	1	
60575B	Clutch Hub W/Shaft, 722.1 / 722.2 Hollow W/Cam & Hub (1 3/16" Hub)	1	
60575C	Clutch Hub W/Shaft, 722.1 / 722.2 Hollow W/Cam & Hub (1 5/16" Hub)	1	
60579	Hub, 722.0 / 722.1 / 722.2 B-2 Drum	1	
60582	Planet, 722.0 Front	1	
60582A	Planet, 722.1 / 722.2 Front (1 9/16"OD Hub Inside)	1	
60582B	Planet, 722.1 / 722.2 Front (1 3/4"OD Hub Inside)	1	
60584	Planet, 722.0 With Output Shaft (Uses 3/4" Long Bearing # 268)	1	
60584A	Planet, 722.1 / 722.2 With Output Shaft (Uses 1/2" Long Bearing # 268) Bearing # 268 Is Flush With The Top Of Hole	1	
60584B	Planet, 722.1 / 722.2 With Output Shaft (Uses 1/2" Bearing # 268) Bearing # 268 Sets 1/8" Below Surface	1	
60586	Planet, 722.1 / 722.2 Second (.160" Thick Hub)	1	
60586A	Planet, 722.1 / 722.2 Second (.133" Thick Hub)	1	
60592	Ring Gear, 722.0 / 722.1 / 722.2 Front & Rear Planet (1.140" Thick)	2	
60592A	Ring Gear, 722.0 / 722.1 / 722.2 Front & Rear Planet (1.220" Thick)	2	
60612	Sun Gear, 722.0 Front (450)	1	
60614	Sun Gear, 722.0 / 722.1 / 722.2 Rear	1	
60616	Sun Gear, 722.1 / 722.2 Intermediate	1	

PART #	SPRAGS & ONE WAY CLUTCHES	QTY.	REFERENCE #
60642	Sprag, 722.0 Freewheel Assembly	1	

PART #	HARD PARTS (Continued)	QTY.	REFERENCE #
60670	Input Shaft, 722.2 With Sun Gear (7 1/2" Long)	1	
60670A	Input Shaft, 722.1 With Sun Gear (6 1/2" Long)	1	
60670B	Input Shaft, 722.0 With Flange (7 3/16" Long) (450)	1	
60674	Shaft, 722.0 Intermediate With Hub (Except 450)	1	
60674A	Shaft, 722.0 Intermediate With 1 1/8" Hub (450)	1	
60674B	Shaft, 722.0 Intermediate With 1 1/4" Hub (470)	1	
60674C	Shaft, 722.1 / 722.2 Intermediate With Hub	1	
60680	Governor Assembly, 722.0 / 722.1 / 722.2	1	
60690	Park Gear, 722.0 / 722.1 / 722. 2	1	
60697	Oil Distributor Sleeve, 722.0 / 722.1 / 722.2	1	
60740A	Valve Body, 722.0 / 722.1 / 722.2 (100 270 3607 Ink #)	1	
60740B	Valve Body, 722.0 / 722.1 / 722.2 (114 270 5207 Ink #)	1	
60740C	Valve Body, 722.0 / 722.1 / 722.2 (115 270 6107 Ink #)	1	
60740D	Valve Body, 722.0 / 722.1 / 722.2 (116 270 2207 Ink #)	1	
60740E	Valve Body, 722.0 / 722.1 / 722.2 (123 270 0007 Ink #)	1	

MERCEDDES

60750	Bell Housing, 722.0 (Cast # 103) (450 Model)	1
60750A	Bell Housing, 722.0 (Cast # 103) (Except 450 Model)	1
60750B	Bell Housing, 722.1 / 722.2 (Cast #115)	1
60750C	Bell Housing, 722.1 / 722.2 (Cast #130)	1
60760	Case, 722.0 / 722.1 / 722.2 (Cast #) 1970-75	1
60760A	Case, 722.0 / 722.1 / 722.2 (Cast #) 1976-80	1
60765	Pan, 722.0 / 722.1 / 722.2	1
60770	Extention Housing, 722.0 / 722.1 / 722.2	1
60774	Housing, 722.0 / 722.1 / 722.2 Driven Speed-O Gear	1
60798	Nut, 722.0 / 722.1 / 722.2 Holds Yoke To Output Shaft	1
60841	Yoke, 722.0 / 722.1 / 722.2	1
60847	Gear, 722.0 / 722.1 / 722.2 Drive	1
60848	Gear, 722.0 / 722.1 / 722.2 Driven	1
60876	Snap Ring, 722.0 / 722.1 / 722.2 B-1 Front Clutch Drum (.097" Thick) (.195" Wide)	1
60876A	Snap Ring, 722.0 / 722.1 / 722.2 B-1 Drum Holds Pressure Plate In (.097" Thick) (.132" Wide)	1
60877	Snap Ring, 722.0 / 722.1 / 722.2 Holds K-1 Retainer To Drum	1
60878	Snap Ring, 722.0 / 722.1 / 722.2 Holds Pressure Plate To B-2 Drum	1
60879	Snap Ring, 722.0 / 722.1 / 722.2 Holds B-2 Hub To B-2 Drum	1
60880	Snap Ring, 722.1 / 722.2 Front Planet to K-2 Hub	1
60881	Snap Ring, 722.0 Holds Input Shaft To ring Gear	2
60881A	Snap Ring, 722.1 / 722.2 Holds Front Planet In B-3 Drum	1
60882	Snap Ring, 722.0 Holds Front Planet In B-3 Drum	1
60882A	Snap Ring, 722.1 / 722.2 Holds Front Ring Gear To Intermediate Planet	2
60883	Snap Ring, 722.0 B-2 Hub	1
60886	Snap Ring, 722.0 Holds Clutch To B1 Drum	1
60889	Snap Ring, 722.0 Holds Intermediate Shaft To Rear Ring Gear	2
60895	Snap Ring, 722.0 / 722.1 / 722.2 Holds Ball Bearing In Extention Housing	1
60896	Snap Ring, 722.0 / 722.1 / 722.2 Holds B-3 Servo Cover In	1
60897	Snap Ring, 722.0 / 722.1 / 722.2 Holds B-1 Servo Cover To Case	1
60898	Snap Ring, 722.0 / 722.1 / 722.2 Holds B-2 Servo Cover In	1
60900	Servo Assembly, 722.0 / 722.1 / 722.2 B-1 Band	1
60901	Spring, 722.0 / 722.1 / 722.2 B1 Servo	1
60902	Piston, 722.0 / 722.1 / 722.2 B1 Servo	2
60904	Cover, 722.0 / 722.1 / 722.2 B1 Servo	1
60905	Servo Assembly, 722.0 / 722.1 / 722.2 B-2 Band	1
60906	Spring, 722.0 / 722.1 / 722.2 B-2 Servo	1
60907	Piston, 722.0 / 722.1 / 722.2 B-2 Servo	1
60909	Cover, 722.0 / 722.1 / 722.2 B-2 Servo	1
60910	Servo Assembly, 722.0 / 722.1 / 722.2 B-3 Band	1
60911	Spring, 722.0 / 722.1 / 722.2 B-3 Servo	1
60912	Piston, 722.0 / 722.1 / 722.2 B-3 Servo	1
60914	Cover, 722.0 / 722.1 / 722.2 B-3 Servo	1
60916	Strut Assembly, 722.0 / 722.1 / 722.2 Band	1
60917	Apply Pin, 722.0 / 722.1 / 722.2 Servo	1
60920	Bolt, 722.0 / 722.1 / 722.2 Band Adjusting	1
60921	Band Guide, 722.0 / 722.1 / 722.2 Plastic (Cast #)	1
60926	Spring, 722.0 / 722.1 / 722.2 Accumulator	1
60927	Piston, 722.0 / 722.1 / 722.2 Accumulator	1
60964	Piston, 722.0 / 722.1 / 722.2 K-1 Clutch	1
60965	Piston, 722.0 / 722.1 / 722.2 K-2 Clutch (B-2 Drum)	1
60974	Spring, 722.0 / 722.1 / 722.2 K-1 Clutch Return	1
60975	Spring, 722.0 / 722.1 / 722.2 K-2 Clutch Return	1
60980	Retainer, 722.1 / 722.2 Bearing Input	1
60984	Retainer, 722.0 / 722.1 / 722.2 K-1 Clutch Spring	1
60985	Retainer, 722.0 / 722.1 / 722.2 K-2 Clutch Return Spring	1
60991	Linkage Assembly, 722.0 / 722.1 / 722.2 Internal	1
60995	Park Pawl Assembly, 722.0 / 722.1 / 722.2	1
60999	Oil Tubes, 722.0 / 722.1 / 722.2	1